

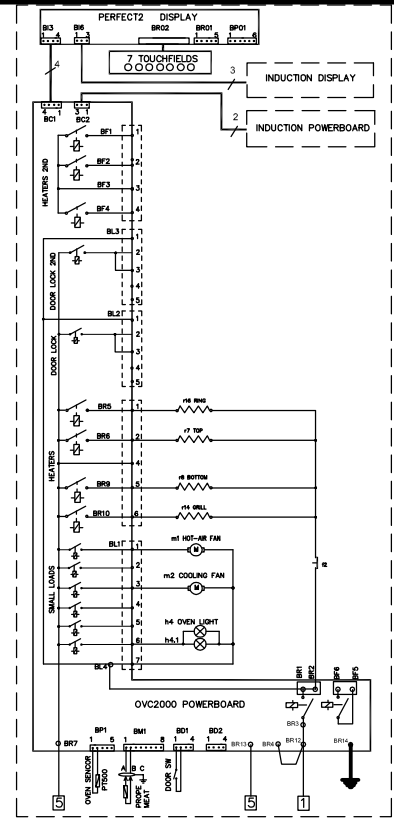
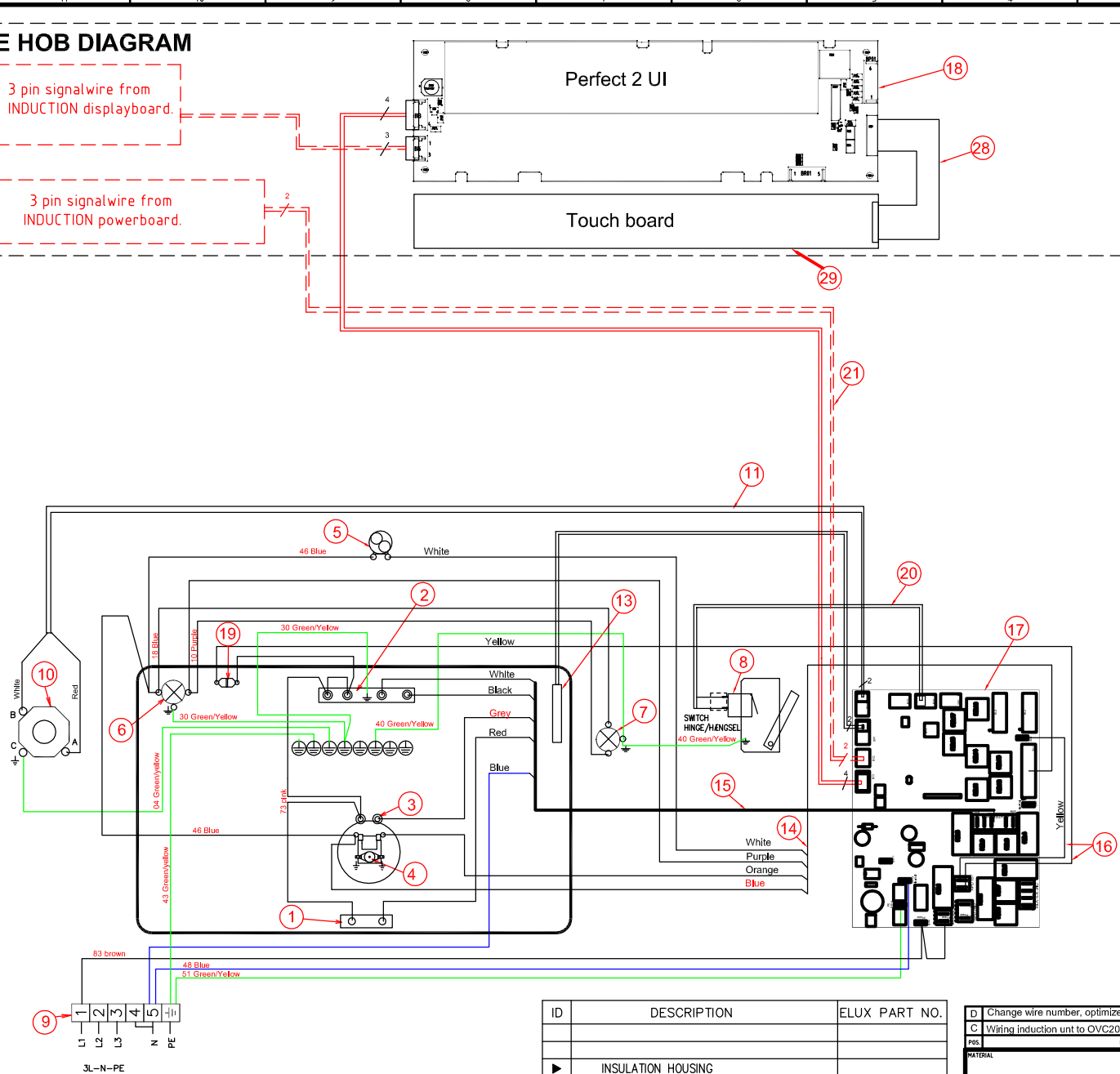
This drawing contains confidential information and is the property of Electrolux, without whose permission it shall not be reproduced, stored in a retrieval system or otherwise used and it is to be returned immediately upon request to the design owner, who is responsible for the drawing.

Items shown in this drawing must not contain substances that are banned according to Directive 2002/95/EC, the RoHS Directive. The design owner hereby declares that the RoHS substances are not present in the design. The design owner hereby declares that the design does not contain "Banned" or "Restricted" according to the Electrolux Restricted Materials List.

SEE HOB DIAGRAM

3 pin signalwire from INDUCTION displayboard.

3 pin signalwire from INDUCTION powerboard.



Pos	No	Components
29	1	Touch board
28	1	Ribbon cable
27	-	-
26	-	-
25	-	-
24	-	-
23	-	-
22	-	-
21	1	Wire set Induction -OVC2000
20	1	Wire set Light switch
19	1	Heat protector
18	1	Display
17	1	OVC 2000 power board
16	1	Wire set APD
15	1	Wire set heater
14	1	Wire set small loads
13	1	Oven PT500 sensor
12	-	-
11	1	Wire set meat probe
10	1	Jack socket meat probe
9	1	Main terminal
8	1	Microswitch fan / light
7	1	Oven lamp slide
6	1	Oven lamp back
5	1	Cooling fan
4	1	Fan motor hot air
3	1	Heatin elem.. hot air 2400W
2	1	Heating elem. top 1000/1900W
1	1	Heating elem. lower 1000W

ID	DESCRIPTION	ELUX PART NO.
	INSULATION HOUSING	
	LIST OF CRIMP CONTACTS	330 1766
	Component list	330 2222
	Wiring_OVC 2000 harness	349 4199
	Wiring list harness	349 5126

D	Change wire number, optimized for wiring list harness	S.A.H	ABS 2797	2006-02-02
C	Wiring induction unit to OVC2000 add, and change colour of wire	S.A.H	ABS 1792	2005-11-04
POS	MODIFICATIONS	SIGNATURE	REQUEST	DATE
MATERIAL	WEIGHT	DESIGN USERS	REPLACES	EUROPEAN METHOD
TREATMENT	DERIVED FROM	DESIGN OWNER	SUPPLY SPECIFICATIONS	
DESIGN OWNER	DATE 2005-01-28	APPR S.A.H	REVIEWER	TITLE
Wiring oven assembly				

FOR: 230V,PF2,SIT, INDUCTION ONLY

349 4744-02									
VARIANT NUMBER	REPLACED NUMBER	POS	MODEL	DESIGN USERS	CHANGES FROM THE BASE NUMBER				

**Electrolux**

NUMBER **349 4744** REV D SHEET