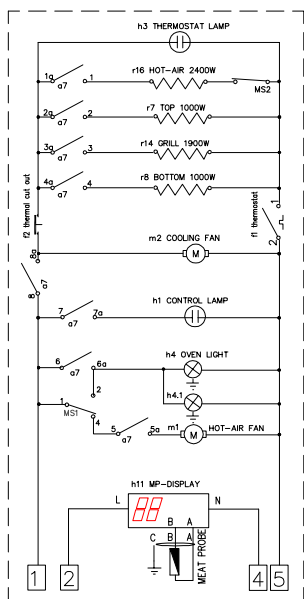


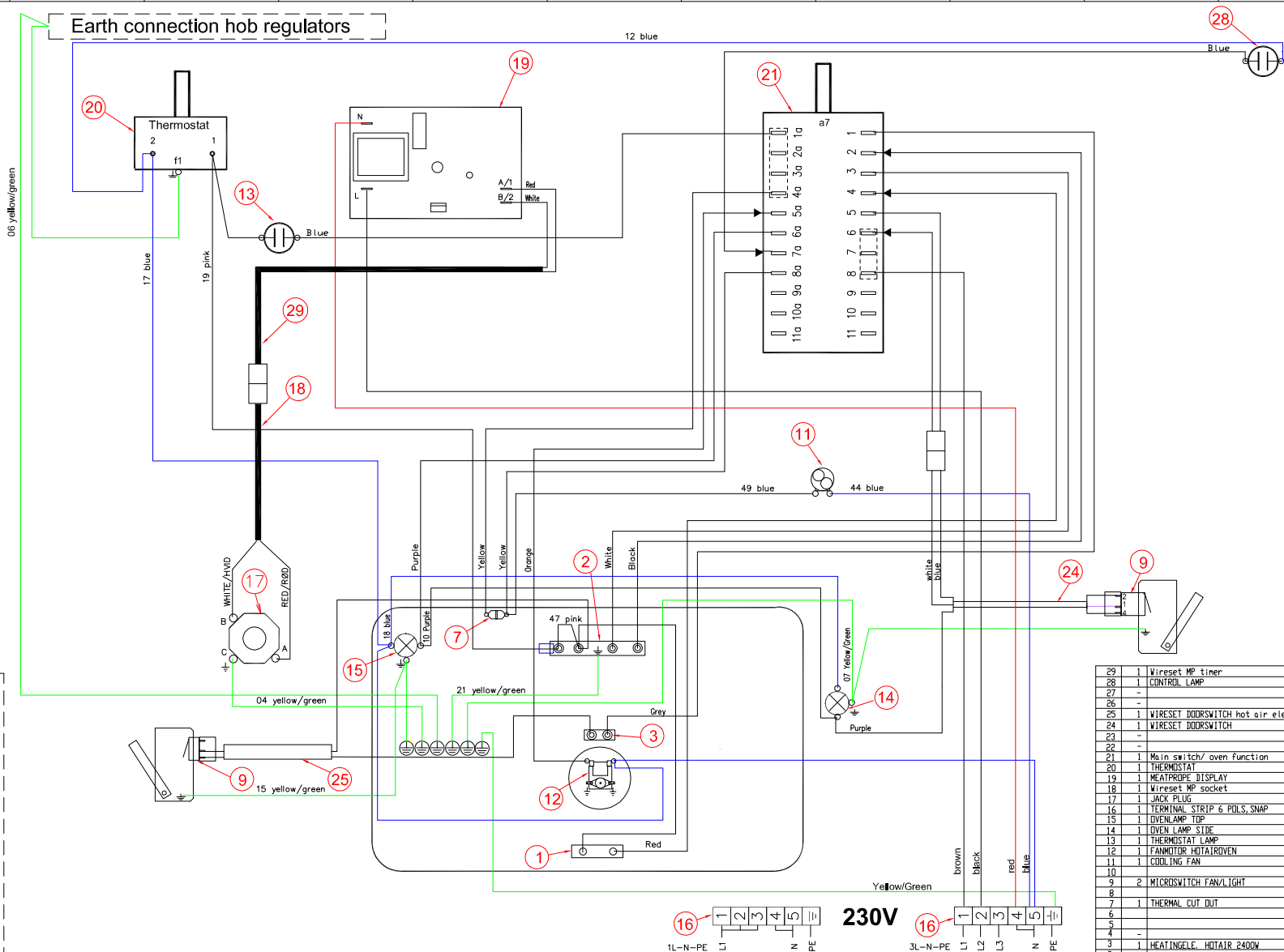
This drawing contains confidential information and is the property of Electrolux. It may not be copied, shown or handed to a third party or otherwise used and it is to be returned promptly to the design owner, who is responsible for the drawing.

Items shown in this drawing must not contain substances listed in Annex II of the RoHS Directive (Lead, Cadmium, Mercury, Hexavalent Chromium, PBB and PBDE), or substances classified as "Banned" or "Restricted" according to the Electrolux Restricted Substance List.

GENERAL TOLERANCES  
ANGLES  
LENGTHS AND DIAMETERS



Earth connection hob regulators



29	1	Wireset MP timer
28	1	CONTROL LAMP
27	-	-
26	-	-
25	1	WIRESSET DOORSWITCH hot air element
24	1	WIRESSET DOORSWITCH
23	-	-
22	-	-
21	1	Main switch/ oven function
20	1	THERMOSTAT
19	1	HEATPROBE DISPLAY
18	1	Wireset MP socket
17	1	JACK PLUG
16	1	TERMINAL STRIP 6 POLS SNAP
15	1	OVENLAMP TOP
14	1	OVEN LAMP SIDE
13	1	THERMOSTAT LAMP
12	1	FANMOTOR HOTAIR/ROVEN
11	1	COOLING FAN
10	2	MICROSWITCH FANV LIGHT
9	1	THERMAL CUT OUT
8	-	-
7	1	THERMAL CUT OUT
6	-	-
5	-	-
4	-	-
3	1	HEATINGELEMENT HOTAIR 2400W
2	1	HEATINGELEMENT TOP 1000/1900W
1	1	HEATINGELEMENT LOWER 1000W
POS/ANT		GENSTAND

ID	DESCRIPTION	ELUX PART NO.
	Oven selector wiring	349 4649
	INSULATION HOUSING	
	LIST OF CRIMP CONTACTS	330 1766
	Component list	330 2222

349 4178-02	ABS 6113	POS	MODEL	DESIGN USERS	CHANGES FROM THE BASE NUMBER
VARIANT NUMBER	REPLACED NUMBER				



C Wiring sign. lamp "12 blue" Insulation cover 19 pink element tab		S_Ah	ABS 711	2005.05.10
B Adjusted drawing, Wiring signal lamp		hh	ABS 421	2005.01.19
POS	MODIFICATIONS	SIGNATURE	REQUEST	DATE
MATERIAL	WEIGHT	DESIGN USERS	REPLACES	EUROPEAN METHOD
TREATMENT		DERIVED FROM	SUPPLY SPECIFICATIONS	
DESIGN OWNER	DRN hh	OP S_Ah	3D ONLY	X
DATE	2005-01-12	APP S_Ah	CONCEPT 3D	
			EXACT 3D	
TITLE		Wiring oven assembly Induction		
<b>Electrolux</b>		NUMBER	<b>349 4650</b>	
		REV	C	
		SHEET		