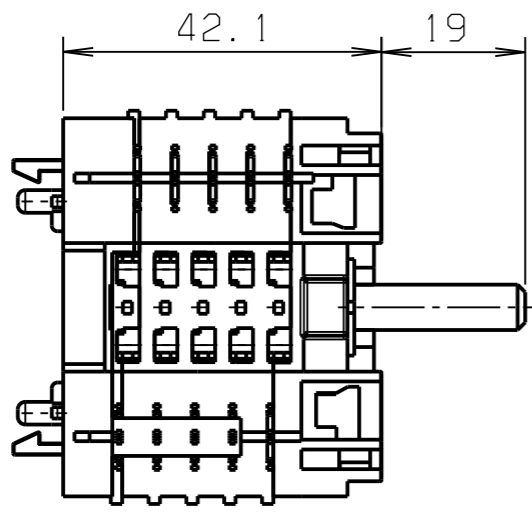
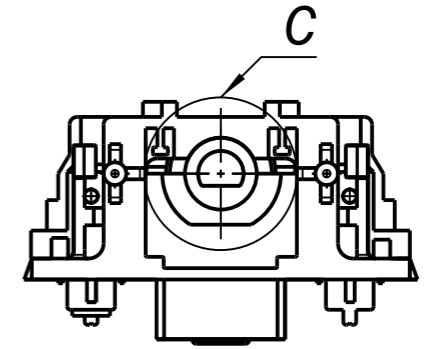


This drawing contains confidential information and is the property of Electrolux, without whose permission it may not be copied, shown or handed to a third party or otherwise used and it is to be returned promptly upon request to the design owner, who is responsible for the drawing.

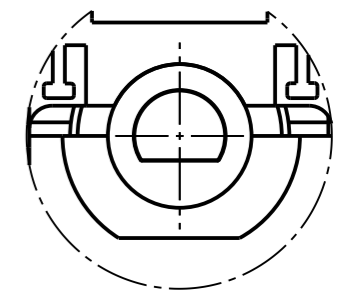
Items shown in this drawing must not contain substances that are banned according to Directive, 2002/95/EC, the RoHS Directive (Lead, Cadmium, Mercury, hexavalent Chromium, PBB and PBDE), or substances classified as "Banned" or "Restricted" according to the Electrolux Restricted Materials List.



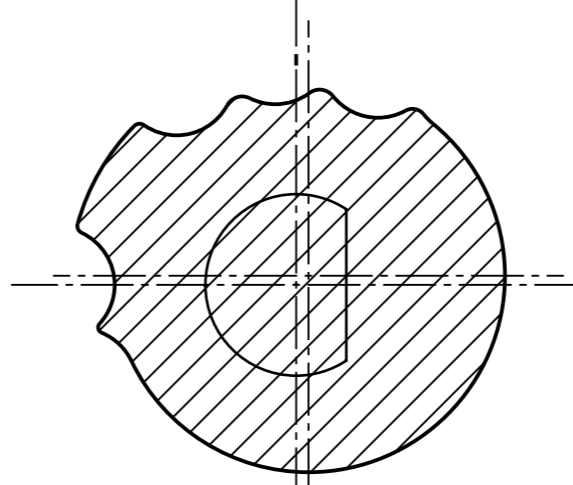
Current/Voltage: 16A 250V  
 10A 400V  
 Operating torque: Min 20Ncm  
 Max 45Ncm  
 Type designation: 5HE/2101



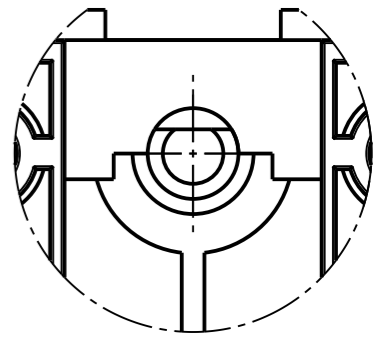
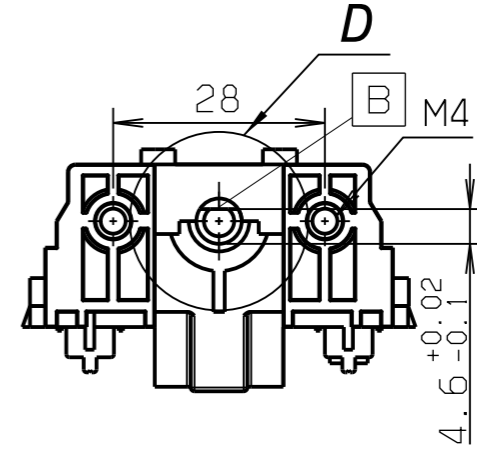
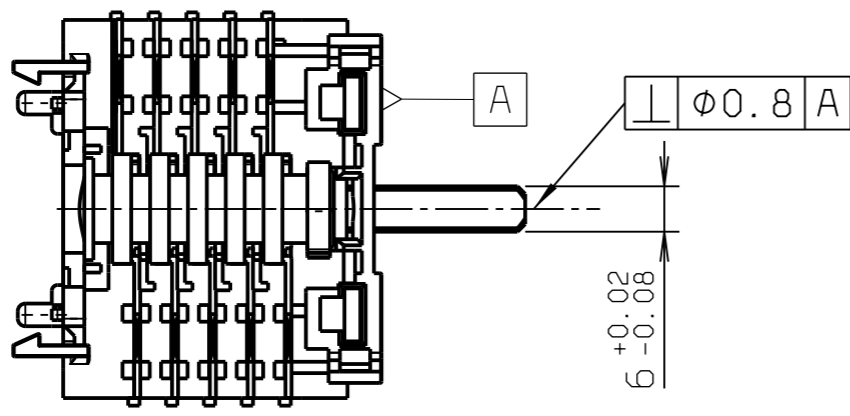
Holder for thermostat adapter. 25mm deep



Back vy C  
 Scale: 2:1



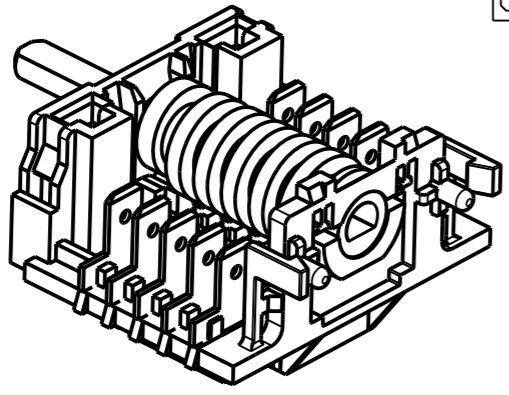
Scale: 4:1  
 Function roll



Front vy D  
 Scale: 2:1

	1a	2a - 5a					
		Connected to each other					Angle
OFF	0	0	0	0	0	0°	
Top & Bottom	X	X	X	0	X	25-225°	
Browning	X	X	0	X	X	250°	
Max Grill	X	X	X	X	0	275°	
Oven Light	X	X	0	0	0	300°	
	1	2	3	4	5		

Shaft in 0-position  
 Angle deviation max ±2° for plane (B)  
 in relation to  $\phi$  or hole M4



G	Adjust drawing, tolerance of parallelism, current/voltage	IAN	ABS 1453	2005-10-10
F	Change holder for thermostat adapter 180°	IAN	ABS 1367	2005-09-15
E	Change from double- to singleterminals	IAN	-	2005-08-16
POS.	MODIFICATIONS	SIGNATURE	REQUEST	DATE
MATERIAL	-	MODEL	-	SCALE 1:1
TREATMENT	-	WEIGHT	- Kg.	EUROPEAN METHOD
DESIGN OWNER	DRN IAN	CHD -	2D ONLY -	REPLACES -
ABS	DATE 2005/08/16	APPR -	CONCEPT 3D -	DERIVED FROM -
			EXACT 3D X	SUPPLY SPECIFICATIONS -
TITLE		Oven switch		
		T0 05		
NUMBER		349 4329		
REV	G			
SHEET	1/1			

349 4329-01	-	-	-	-	-
VARIANT NUMBER	REPLACED NUMBER	POS.	MODEL	DESIGN USERS	CHANGES FROM THE BASE NUMBER