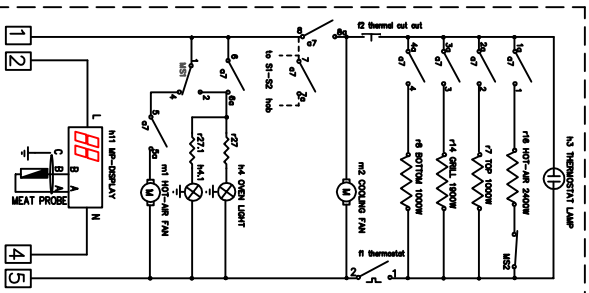


This drawing contains confidential information and is the property of Electrolux, without whose permission it may not be copied, shown or handed to a third party or otherwise used and it is to be returned promptly upon request to the design owner, who is responsible for the drawing.

Items shown in this drawing must not contain substances that are banned according to Directive, 2002/95/EC, the RoHS Directive (Lead, Cadmium, Mercury, hexavalent Chromium, PBB and PBDE) or substances classified as "Banned" or "Restricted" according to the Electrolux Restricted Materials List.

GENERAL TOLERANCES
ANGLES
LENGTHS AND DIAMETERS

1
2
3
4
5



ID	DESCRIPTION	ELUX PART NO.
	Oven selector wiring	349 4276
	INSULATION HOUSING	
	LIST OF CRIMP CONTACTS	330 1766
	Component list	330 2222

349 4325-22	REV.4.0 NUMBER	POS	MODEL	ISSUE NUMBER	CONNECT FROM THE ASSEMBLY NUMBER
-------------	----------------	-----	-------	--------------	----------------------------------

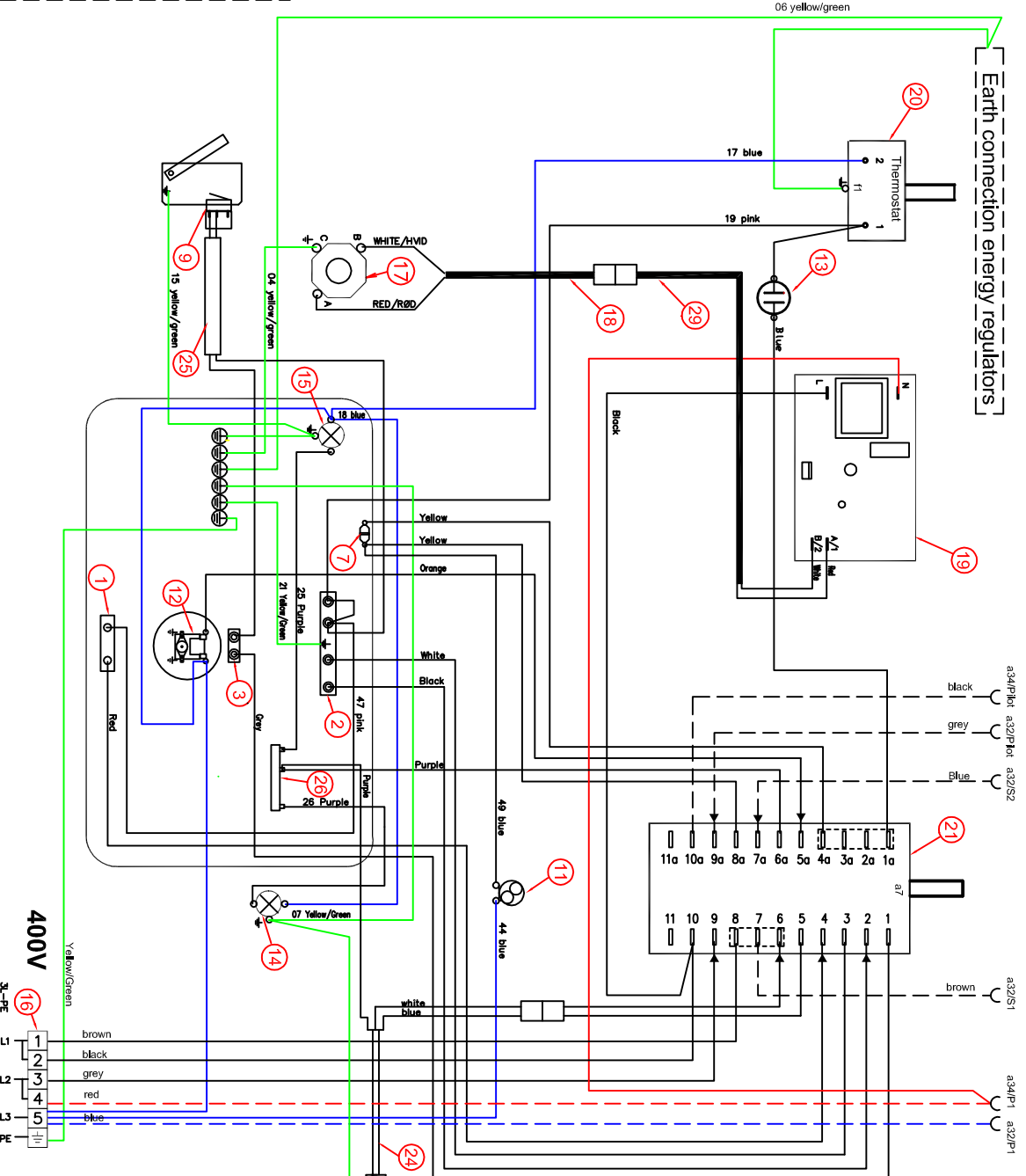
Electrolux

349 4325

Wiring oven assembly

DESCRIPTION	E New wire, X1=34411
REVISION	D Change resistor
DATE	2005-04-22
SCALE	1:1
PROJ. NO.	ABS 1982
DESIGNER	ABS 959
CHECKER	ABS 674
DATE	2005-04-13

POSTANT	DESCRIPTION
1	WIRELESS WIRE
2	RESISTOR 200W 250V
3	WIRELESS WIRE
4	WIRELESS WIRE
5	WIRELESS WIRE
6	WIRELESS WIRE
7	WIRELESS WIRE
8	WIRELESS WIRE
9	WIRELESS WIRE
10	WIRELESS WIRE
11	WIRELESS WIRE
12	WIRELESS WIRE
13	WIRELESS WIRE
14	WIRELESS WIRE
15	WIRELESS WIRE
16	WIRELESS WIRE
17	WIRELESS WIRE
18	WIRELESS WIRE
19	WIRELESS WIRE
20	WIRELESS WIRE
21	WIRELESS WIRE
22	WIRELESS WIRE
23	WIRELESS WIRE
24	WIRELESS WIRE
25	WIRELESS WIRE
26	WIRELESS WIRE
27	WIRELESS WIRE
28	WIRELESS WIRE
29	WIRELESS WIRE
30	WIRELESS WIRE
31	WIRELESS WIRE
32	WIRELESS WIRE
33	WIRELESS WIRE
34	WIRELESS WIRE
35	WIRELESS WIRE
36	WIRELESS WIRE
37	WIRELESS WIRE
38	WIRELESS WIRE
39	WIRELESS WIRE
40	WIRELESS WIRE
41	WIRELESS WIRE
42	WIRELESS WIRE
43	WIRELESS WIRE
44	WIRELESS WIRE
45	WIRELESS WIRE
46	WIRELESS WIRE
47	WIRELESS WIRE
48	WIRELESS WIRE
49	WIRELESS WIRE
50	WIRELESS WIRE



Earth connection energy regulators

a34/p1 a32/p1 a32/S1 a34/p1 a32/p1 a32/S2

A B C D E F G H