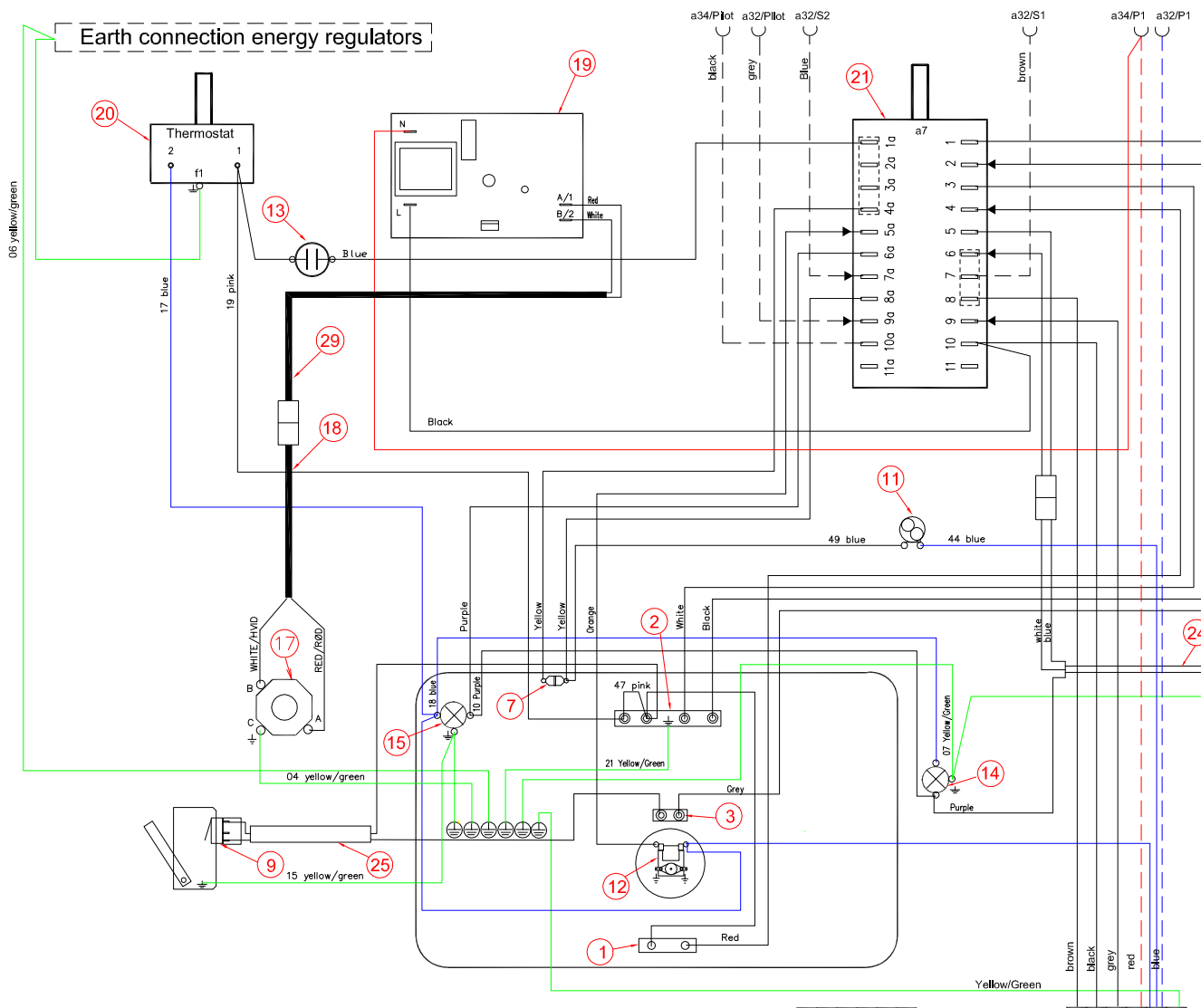
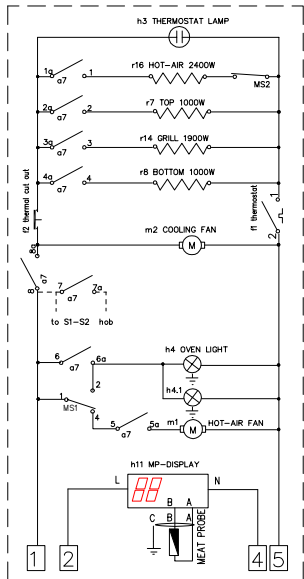


This drawing contains confidential information and is the property of Electrolux. It is to be returned promptly to the design owner, who is responsible for the drawing.

Items shown in this drawing must not contain substances listed in Annex II of the RoHS Directive (Lead, Cadmium, Mercury, Hexavalent Chromium, PBB and PBDE), or substances classified as "Banned" or "Restricted" according to the Electrolux Restricted Materials List.



29	1	Wireset MP timer
28	-	
27	-	
26	-	
25	1	WIRESSET DOORSWITCH hot air element
24	1	WIRESSET DOORSWITCH
23	-	
22	-	
21	1	Main switch/ oven function
20	1	THERMOSTAT
19	1	MEATPROBE DISPLAY
18	1	Wireset MP socket
17	1	JACK SOCKET
16	1	TERMINAL STRIP 6 PDS, SNAP
15	1	OVENLAMP TOP
14	1	OVEN LAMP SIDE
13	1	THERMOSTAT LAMP
12	1	FANMOTOR HOTAIRDOVEN
11	1	COOLING FAN
10	-	
9	2	MICROSWITCH FAN/LIGHT
8	-	
7	1	THERMAL CUT OUT
6	-	
5	-	
4	-	
3	1	HEATINGELEMENT HOTAIR 2400W
2	1	HEATINGELEMENT TOP 1000/1900W
1	1	HEATINGELEMENT LOWER 1000W
POSANT		GENSTAND

ID	DESCRIPTION	ELUX PART NO.
	Wiring list	349 4548
	Oven selector wiring	349 4276
	INSULATION HOUSING	
	LIST OF CRIMP CONTACTS	330 1766
	Component list	330 2222

349 4324-02					
VARIANT NUMBER	REPLACED NUMBER	POS.	MODEL	DESIGN USERS	CHANGES FROM THE BASE NUMBER

C	New wire, X1-a34-f11	IAN	ABS 1952	2005.11.18
B	Ovenswitch changed	hh	ABS 315	2004.11.30
POS.	MODIFICATIONS	SIGNATURE	REQUEST	DATE
MATERIAL	WEIGHT	DESIGN USERS	REPLACES	EUROPEAN METHOD
TREATMENT		DERIVED FROM	SUPPLY SPECIFICATIONS	
DESIGN OWNER	DRN S.Ahl	OP	3D ONLY	X
	DATE 2004-10-19	APP	CONCEPT 3D	
			EXACT 3D	
TITLE		Wiring oven assembly		
Electrolux		NUMBER	349 4324	
		REV	C	
		SHEET		