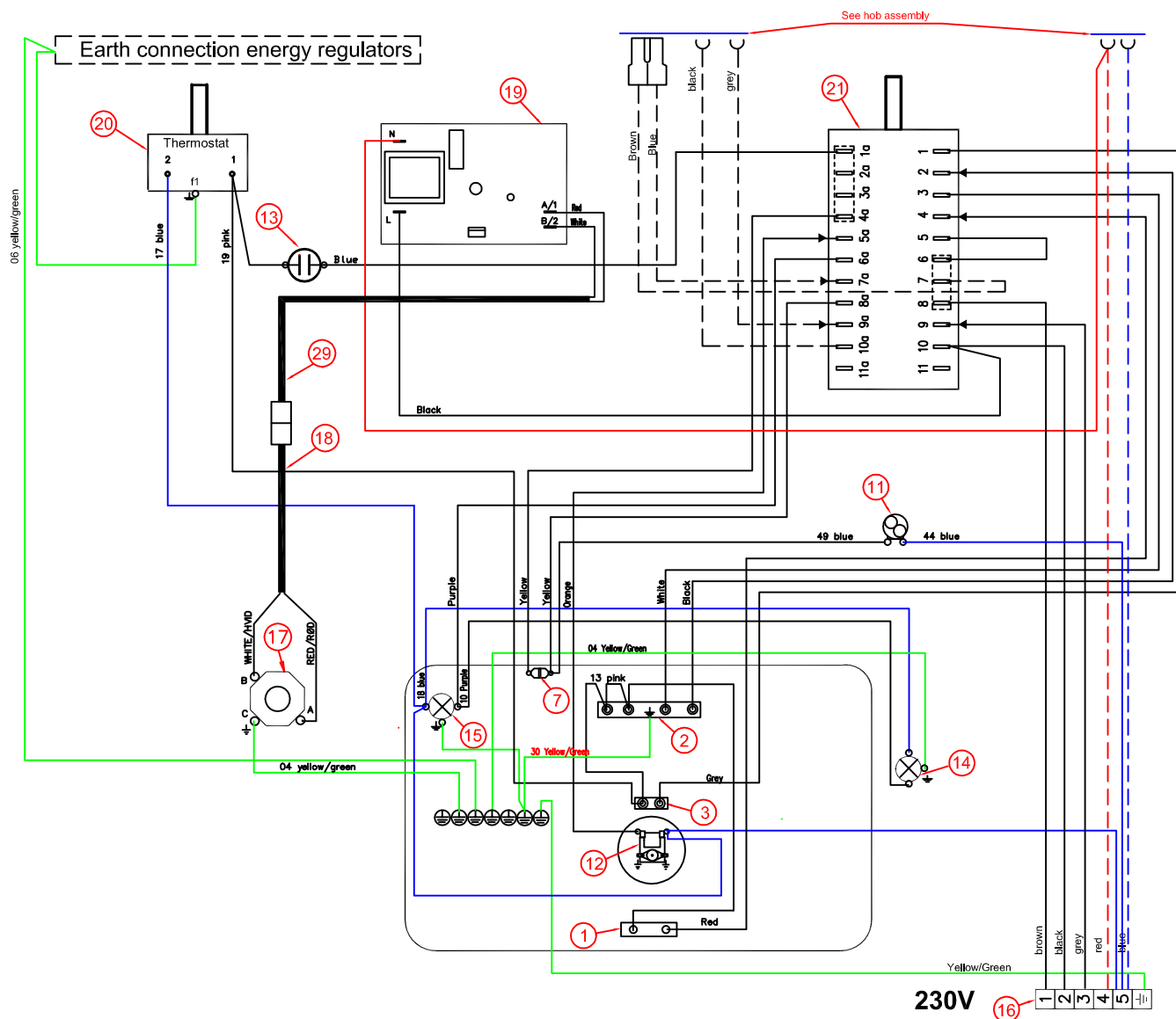
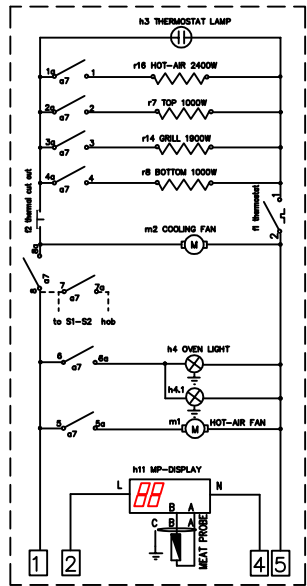


The drawing contains confidential information and is the property of Electrolux. Without whose permission it may not be copied, shown or handed to a third party upon request to the design owner, who is responsible for the drawing.

Items shown in this drawing must not contain substances that are banned according to Directive 2002/95/EC, the RoHS Directive (Lead, Cadmium, Mercury, Hexavalent Chromium, Polychlorinated Biphenyls and Polybrominated Biphenyls) or "Restrictive" according to the Electrolux Restricted Materials List.



Pos No	Components
29	1 Wireset MP timer
28	-
27	-
26	-
25	-
24	-
23	-
22	-
21	1 Function switch/ Main switch
20	1 Thermostat oven
19	1 Neatprobe display
18	1 Wireset MP socket
17	1 Jack socket
16	1 Main terminal 6 Pole, snap in
15	1 Oven lamp back panel
14	1 Oven lamp side
13	1 Control Lamp oven
12	1 Fan Motor Hot Air Oven
11	1 Cooling Fan
10	-
9	-
8	-
7	1 Thermal cut out
6	-
5	-
4	-
3	1 Heating element hot air
2	1 Heating element top
1	1 Heating element lower

ID	DESCRIPTION	ELUX PART NO.
	Oven selector wiring	349 4274
	INSULATION HOUSING	
	LIST OF CRIMP CONTACTS	330 1766
	Component list	330 2222

VARIANT NUMBER	REPLACED NUMBER	POS	MODEL	DESIGN USERS	CHANGES FROM THE BASE NUMBER
349 4277-02					

F Merge pos 3 and 21 to 30		IAN	ABS 4040	2006.09.20
E New wire, X1-a34-f11		IAN	ABS 1952	2005.11.18
POS	MODIFICATIONS	SIGNATURE	REQUEST	DATE
MATERIAL	WEIGHT	DESIGN USERS	REPLACES	EUROPEAN NET NO
TREATMENT	WEIGHT	DESIGN USERS	DERIVED FROM	
DESIGN OWNER	DATE	DATE	SUPPLY SPECIFICATIONS	TITLE
IGN S.Ah	2004-10-20	2004-10-20		Wiring oven assembly
Electrolux		NUMBER 349 4277		REV 1
				SHEET