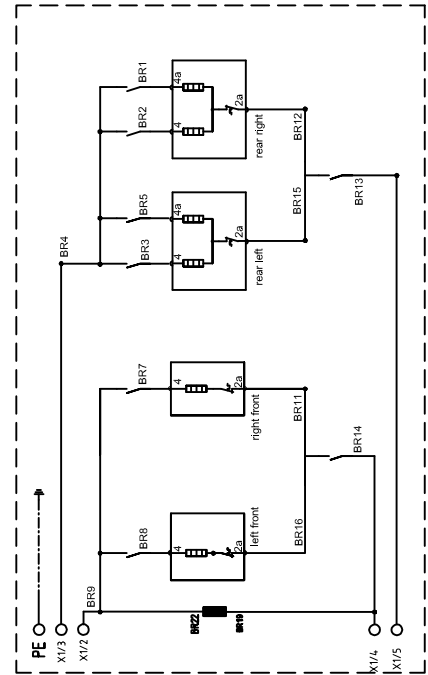
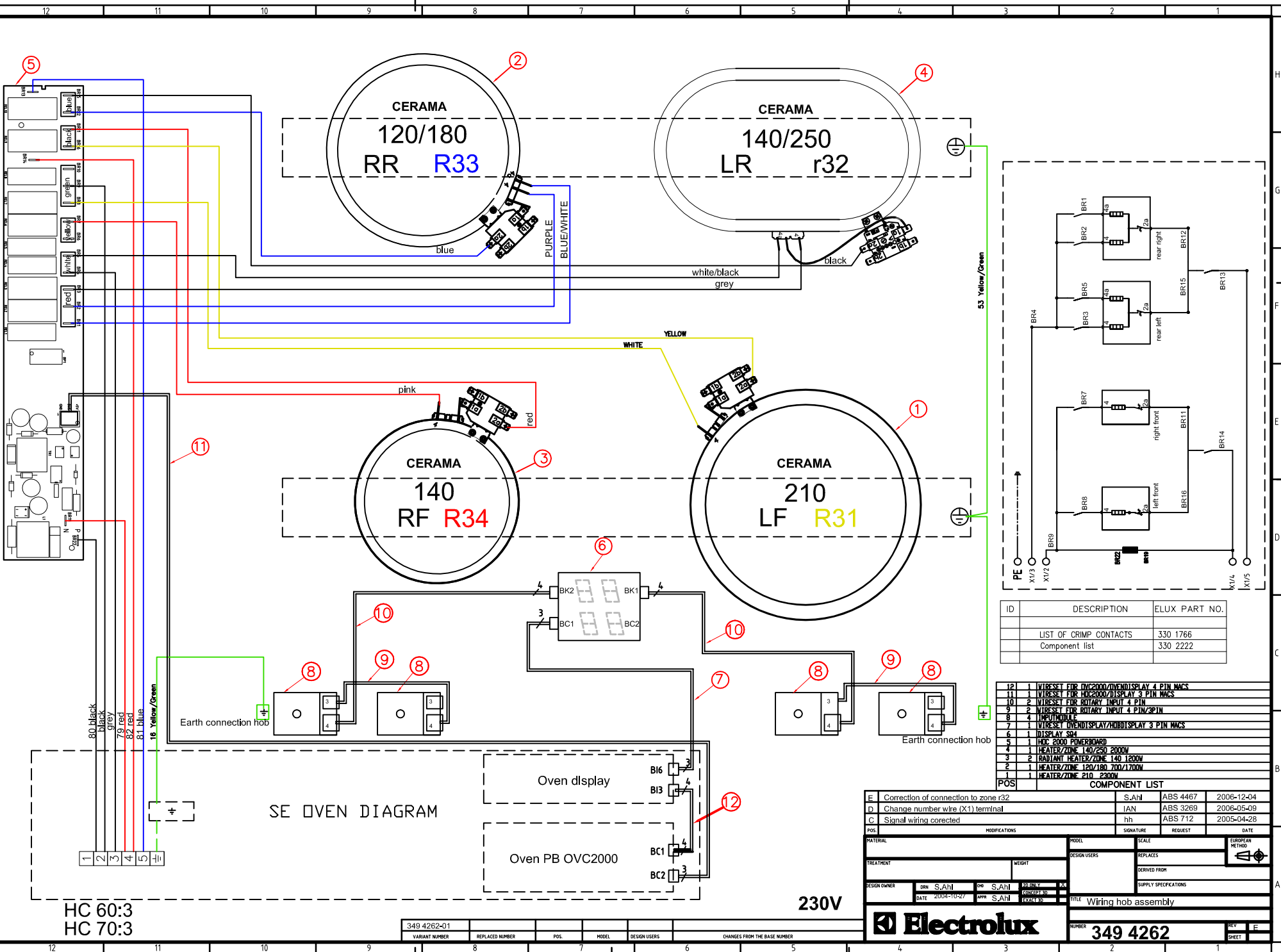


This drawing contains confidential information and is the property of Electrolux, without whose permission it shall not be reproduced, stored in a retrieval system or otherwise used and it is to be returned immediately upon request to the design owner, who is responsible for the drawing.

Items shown in this drawing must not contain substances that are banned according to Directive 2002/95/EC, the RoHS Directive. The design owner, Electrolux, is responsible for ensuring that the design owner, who is responsible for the drawing, is aware of the RoHS Directive and its implications. The design owner, who is responsible for the drawing, is aware of the RoHS Directive and its implications. The design owner, who is responsible for the drawing, is aware of the RoHS Directive and its implications.



ID	DESCRIPTION	ELUX PART NO.
	LIST OF CRIMP CONTACTS	330 1766
	Component list	330 2222

POS	DESCRIPTION	ELUX PART NO.
12	WIRESET FOR OVC2000/OVENDISPLAY 4 PIN MACS	
11	WIRESET FOR HO2000/DISPLAY 3 PIN MACS	
10	WIRESET FOR ROTARY INPUT 4 PIN	
9	WIRESET FOR ROTARY INPUT 4 PIN/3PIN	
8	INPUT MODULE	
7	WIRESET OVENDISPLAY/HOBBISPLAY 3 PIN MACS	
6	DISPLAY SH	
5	HEZ 2000 POWERBOARD	
4	HEATER/ZONE 140/250 2000W	
3	RADIANT HEATER/ZONE 140 1200W	
2	HEATER/ZONE 120/180 700/1700W	
1	HEATER/ZONE 210 2300W	

POS	DESCRIPTION	ELUX PART NO.	DATE
E	Correction of connection to zone r32	ABS 4467	2006-12-04
D	Change number wire (X1) terminal	ABS 3269	2006-05-09
C	Signal wiring corrected	ABS 712	2005-04-28

MATERIAL		MODEL		SCALE	
DESIGN OWNER	DRN S.AhI	CO S.AhI	CONCEPTOR	DATE	2004-10-27
DESIGN USER	hh	APPR S.AhI	REVIEWER	DATE	
TITLE				Wiring hob assembly	
NUMBER				349 4262	
REVISION				E	

GENERAL TOLERANCES
ANGLES
DIMENSIONS AND DIMETERS
DIN EN ISO

HC 60:3
HC 70:3

SE OVEN DIAGRAM

Oven display

Oven PB OVC2000

230V

349 4262-01	REPLACED NUMBER	POS	MODEL	DESIGN USER	CHANGES FROM THE BASE NUMBER



REVISION E
SHEET