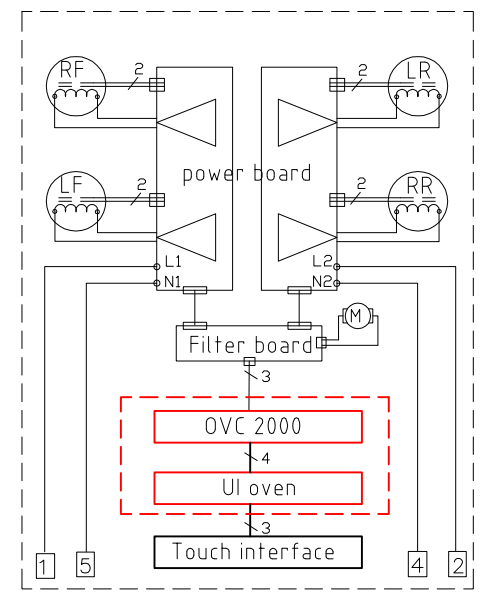
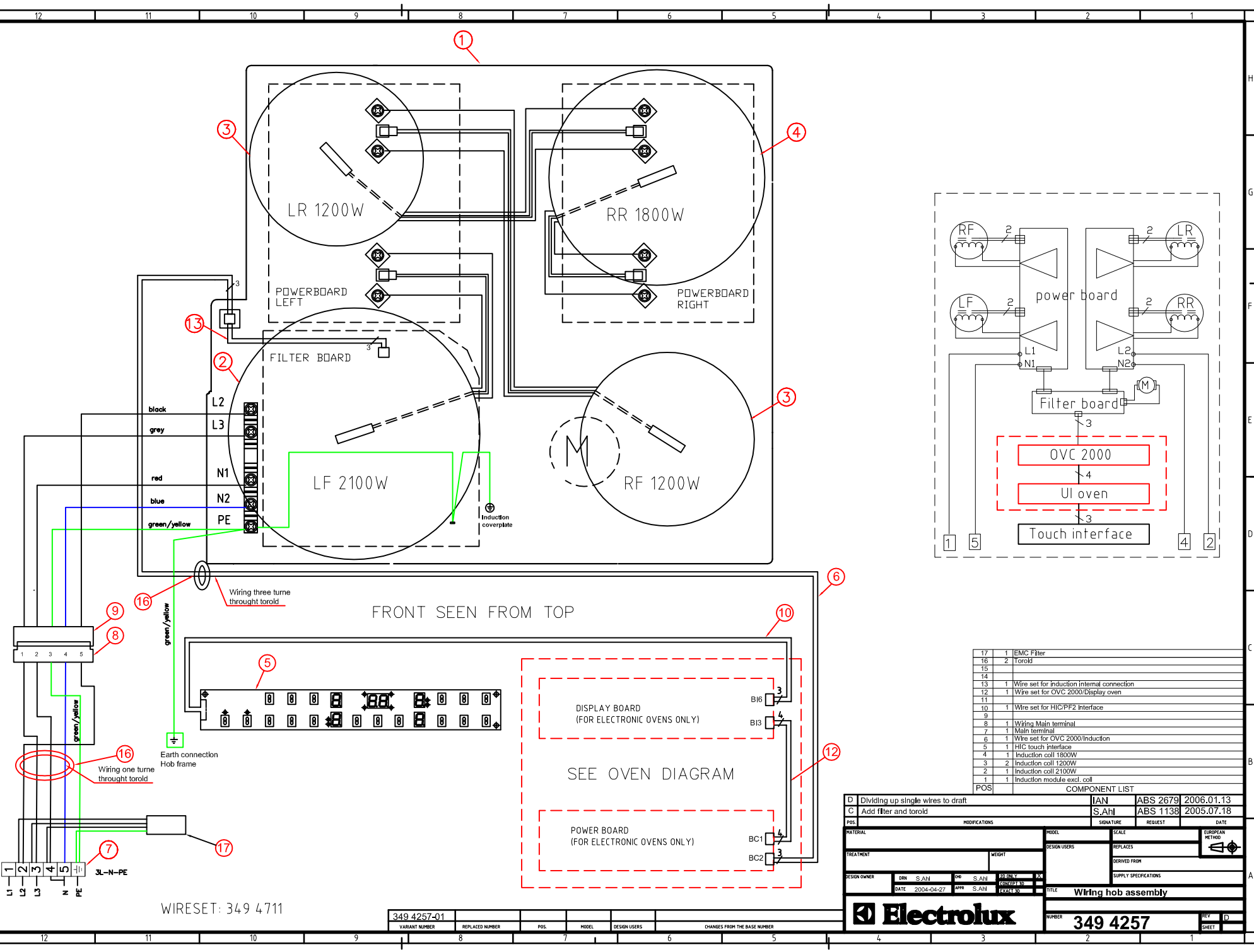


This drawing contains confidential information and is the property of Electrolux. Without whose permission it shall not be reproduced, stored in a retrieval system or otherwise used and it is to be returned immediately upon request to the design owner, who is responsible for the drawing.

Items shown in this drawing must not contain substances that are banned according to Directive 2002/95/EC, the RoHS Directive. The design owner hereby declares that the components, parts and materials used in this drawing are not "banned" or "restricted" according to the Electrolux Restricted Materials List.



POS	QUANTITY	DESCRIPTION
17	1	EMC Filter
16	2	Toroid
15		
14		
13	1	Wire set for induction internal connection
12	1	Wire set for OVC 2000/Display oven
11		
10	1	Wire set for HIC/PF2 interface
9		
8	1	Wiring Main terminal
7	1	Main terminal
6	1	Wire set for OVC 2000/Induction
5	1	HIC touch interface
4	1	Induction coil 1800W
3	2	Induction coil 1200W
2	1	Induction coil 2100W
1	1	Induction module excl. coil

POS	QUANTITY	DESCRIPTION
17	1	EMC Filter
16	2	Toroid
15		
14		
13	1	Wire set for induction internal connection
12	1	Wire set for OVC 2000/Display oven
11		
10	1	Wire set for HIC/PF2 interface
9		
8	1	Wiring Main terminal
7	1	Main terminal
6	1	Wire set for OVC 2000/Induction
5	1	HIC touch interface
4	1	Induction coil 1800W
3	2	Induction coil 1200W
2	1	Induction coil 2100W
1	1	Induction module excl. coil

D Dividing up single wires to draft		IAN	ABS 2679	2006.01.13
C Add filter and toroid		S.AH	ABS 1138	2005.07.18
POS	MODIFICATIONS	SIGNATURE	REQUEST	DATE
MATERIAL	WEIGHT	DESIGN USERS	REPLACES	EUROPEAN METHOD
TREATMENT			DERIVED FROM	
DESIGN OWNER	DRN S.AH	CP S.AH	SOLELY MA	
DATE	2004-04-27	APP S.AH	REVIEWER	
TITLE		Wiring hob assembly		
Electrolux		NUMBER 349 4257		
VARIANT NUMBER		REPLACED NUMBER		
POS		MODEL		
DESIGN USERS		CHANGES FROM THE BASE NUMBER		

GENERAL TELEMARKS  
ANGLES  
LENGTHS AND DIAMETERS

WIRESET: 349 4711

349 4257-01					
VARIANT NUMBER	REPLACED NUMBER	POS	MODEL	DESIGN USERS	CHANGES FROM THE BASE NUMBER

**Electrolux**

NUMBER 349 4257