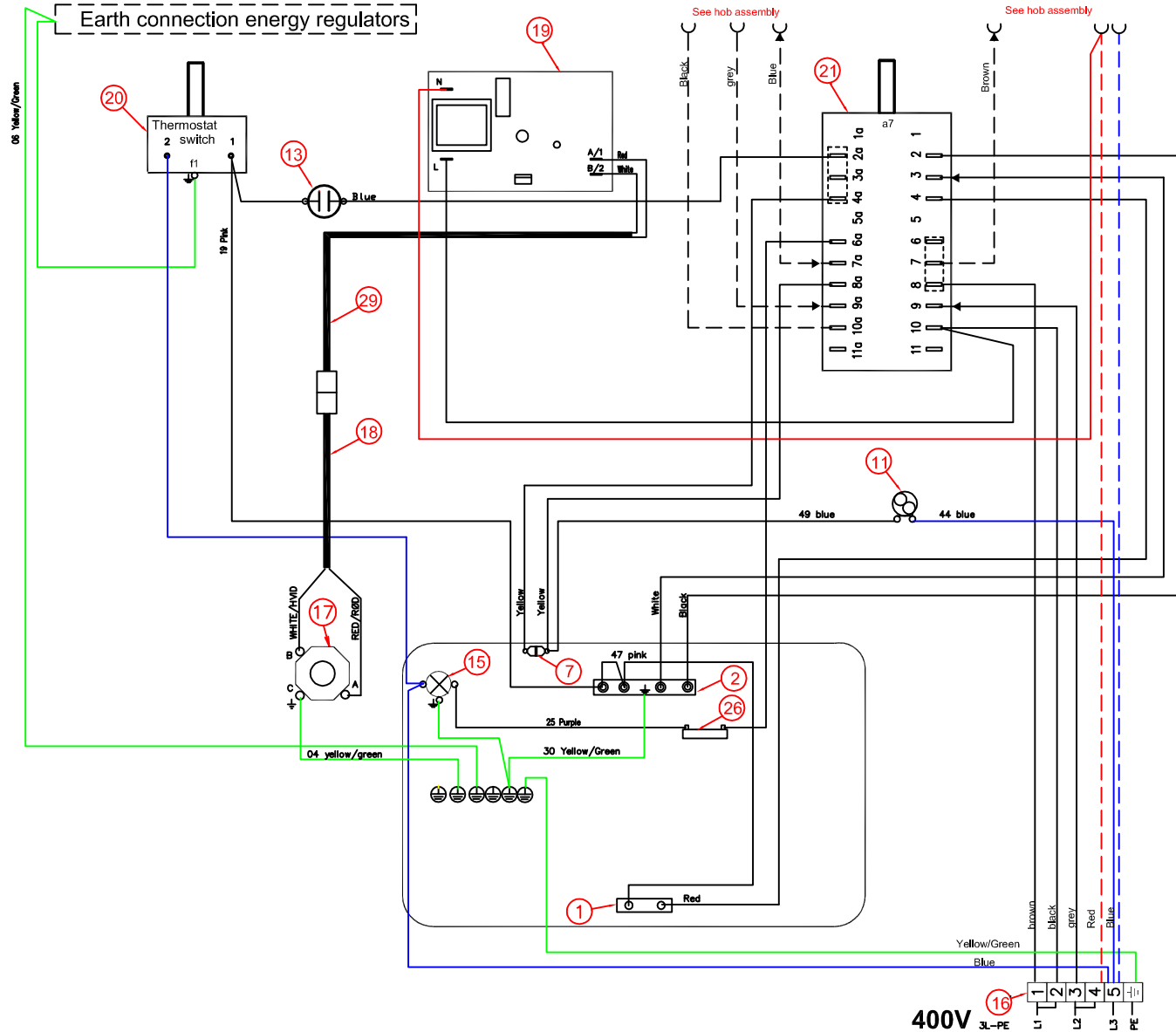
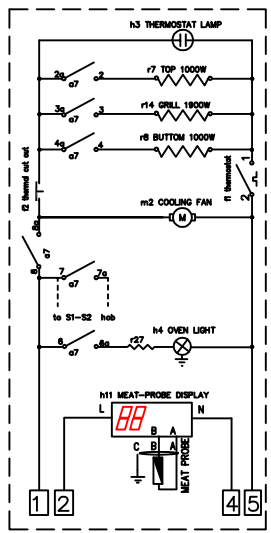


The drawing contains confidential information and is the property of Electrolux. Without whose permission it may not be copied, shown or handed to a third party. Any use of this drawing without the express written consent of Electrolux is prohibited. Upon request to the design owner, who is responsible for the drawing.

Items shown in this drawing must not contain substances that are banned according to Directive 2002/95/EC, the RoHS Directive (Lead, Cadmium, Mercury, Hexavalent Chromium, Polychlorinated Biphenyls and Polybrominated Biphenyls) or "Restricted" according to the Electrolux Restricted Materials List.



29	1	Wireset NP timer
28	-	
27		
26	1	Resistor rear oven lamp 40W
25		
24		
23		
22		
21	1	Main switch/ oven function
20	1	THERMOSTAT
19	1	HEATPROBE DISPLAY
18	1	Wireset NP socket
17	1	JACK SOCKET
16	1	TERMINAL STRIP 6 PDS.SWAP
15	1	OVENLAMP TOP
14	1	CONTROL LAMP
13	1	COOLING FAN
12		
11	1	THERMAL CUT OUT
10		
9		
8		
7	1	THERMAL CUT OUT
6		
5	1	THERMOSTAT/CLIXION COOLING FAN 50 GR
4		
3		
2	1	HEATINGELE TOP 1000/1900W
1	1	HEATINGELE LOWER 1000W
POS/ANT		GENSTAND

ID	DESCRIPTION	ELUX PART NO.
	Oven selector wiring	349 4249
	INSULATION HOUSING	330 4175
	LIST OF CRIMP CONTACTS	330 1766
	Component list	330 2222
	Wiring list harness, SIR	349 4572
	Wiring list harness, Flins	349 4570

400V 3L-PE

G Text in description change		S.Ah	ABS 4239	2006.11.10
F Drawing corrected		S.Ah	ABS 3266	2006.05.15
POS	MODIFICATIONS	SIGNATURE	REQUEST	DATE
MATERIAL	WEIGHT	DESIGN USERS	REPLACES	EUROPLAN NETNO
TREATMENT	WEIGHT	DESIGN USERS	DERIVED FROM	
DESIGN OWNER	DATE	DATE	TITLE	SUPPLY SPECIFICATIONS
OWN S.Ah	2004-10-21	DATE	Wiring oven assembly	



NUMBER 349 4252 REV G SHEET

349 4252-02									
VARIANT NUMBER	REPLACED NUMBER	POS	MODEL	DESIGN USERS	CHANGES FROM THE BASE NUMBER				