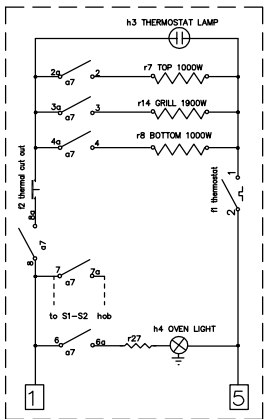
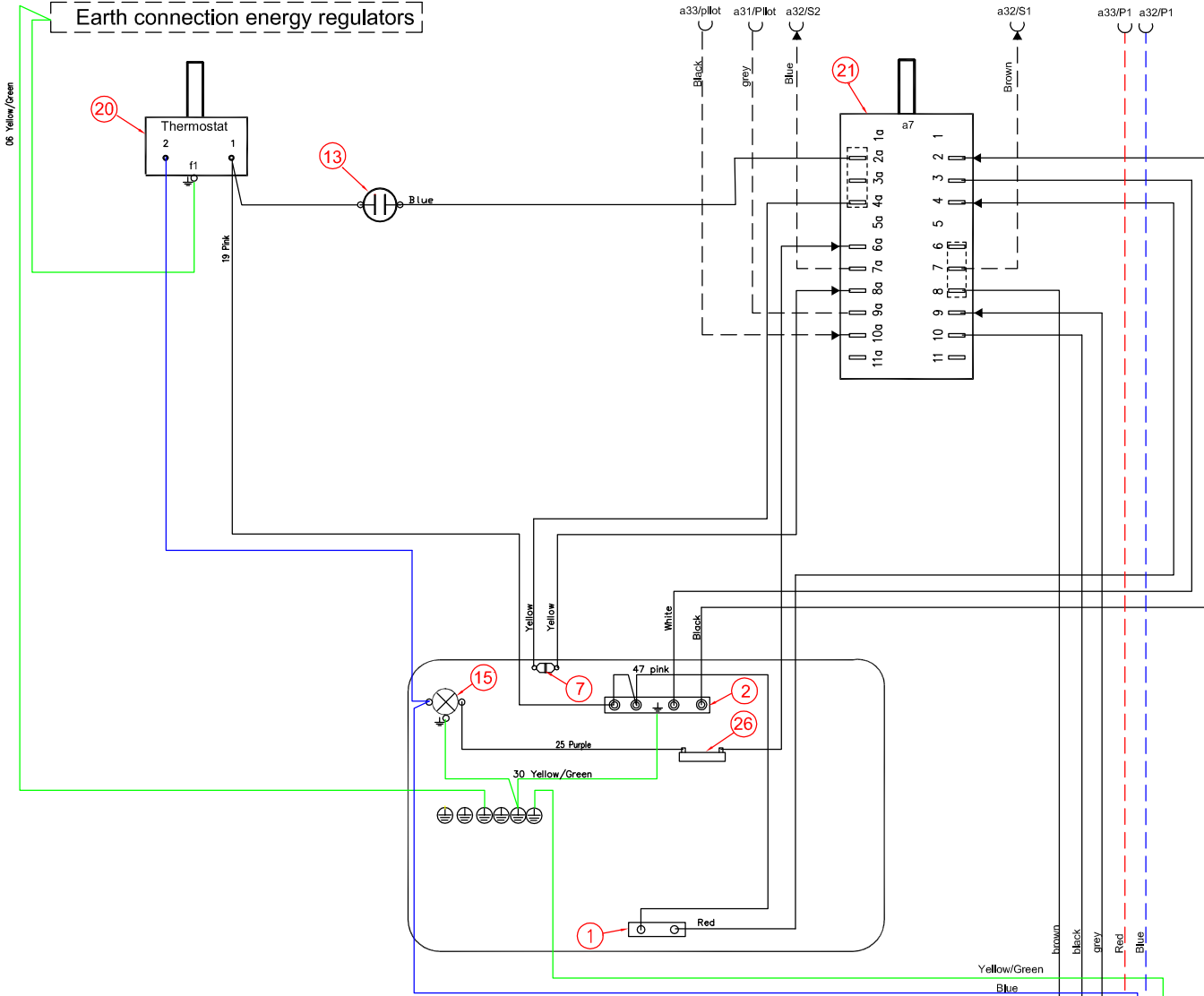


This drawing contains confidential information and is the property of Electrolux, without whose permission it shall not be reproduced, stored in a retrieval system or otherwise used and it is to be returned immediately upon request to the design owner, who is responsible for the drawing.

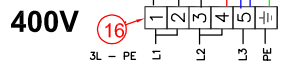
Items shown in this drawing must not contain substances that are banned according to Directive 2002/95/EC, the RoHS Directive. Design, Recycle, Repair, Reuse and Refill are the main goals of Electrolux's environmental policy. Components must be "RoHS" or "Restrictive" according to the Electrolux Restricted Materials List.

Earth connection energy regulators



27	
26	1 Resistor rear oven lamp 40W
25	
24	
23	
22	
21	1 Main switch/ oven function
20	1 THERMOSTAT
19	
18	
17	
16	1 TERMINAL STRIP 6 POLES,SNAP
15	1 OVENLAMP TOP
14	
13	1 CONTROL LAMP
12	
11	
10	
9	
8	
7	1 THERMAL CUT OUT
6	
5	
4	
3	
2	1 HEATINGELE, TOP 1000/1900W
1	1 HEATINGELE, LOWER 1000W
POS/No	Components

ID	DESCRIPTION	ELUX PART NO.
	Wiring list harness	349 4569
	Oven selector wiring	349 4245
	INSULATION HOUSING	
	LIST OF CRIMP CONTACTS	330 1766
	Component list	330 2222



349 4251-02	ABS 6160	POS	MODEL	DESIGN USERS	CHANGES FROM THE BASE NUMBER
VARIANT NUMBER	REPLACED NUMBER				

E Wire pos 30 add, pos 03 and 21 removed		S.A.H	ABS 2683	2006.01.16
D Ovenswitch corrected in table		S.A.H	ABS 698	2005.05.03
POS	MODIFICATIONS	SIGNATURE	REQUEST	DATE
MATERIAL	WEIGHT	DESIGN USERS	REPLACES	EUROPEAN METHOD
TREATMENT	WARRANTY	DESIGN USERS	DERIVED FROM	
DESIGN OWNER	DATE 2004-10-21	APPR S.A.H	TITLE	SUPPLY SPECIFICATIONS
				NUMBER 349 4251
				RIV E
				SHEET