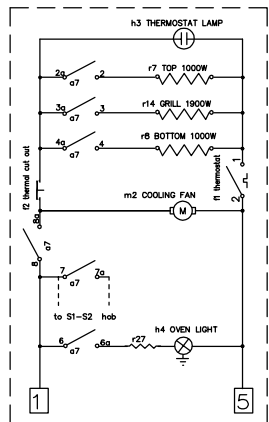
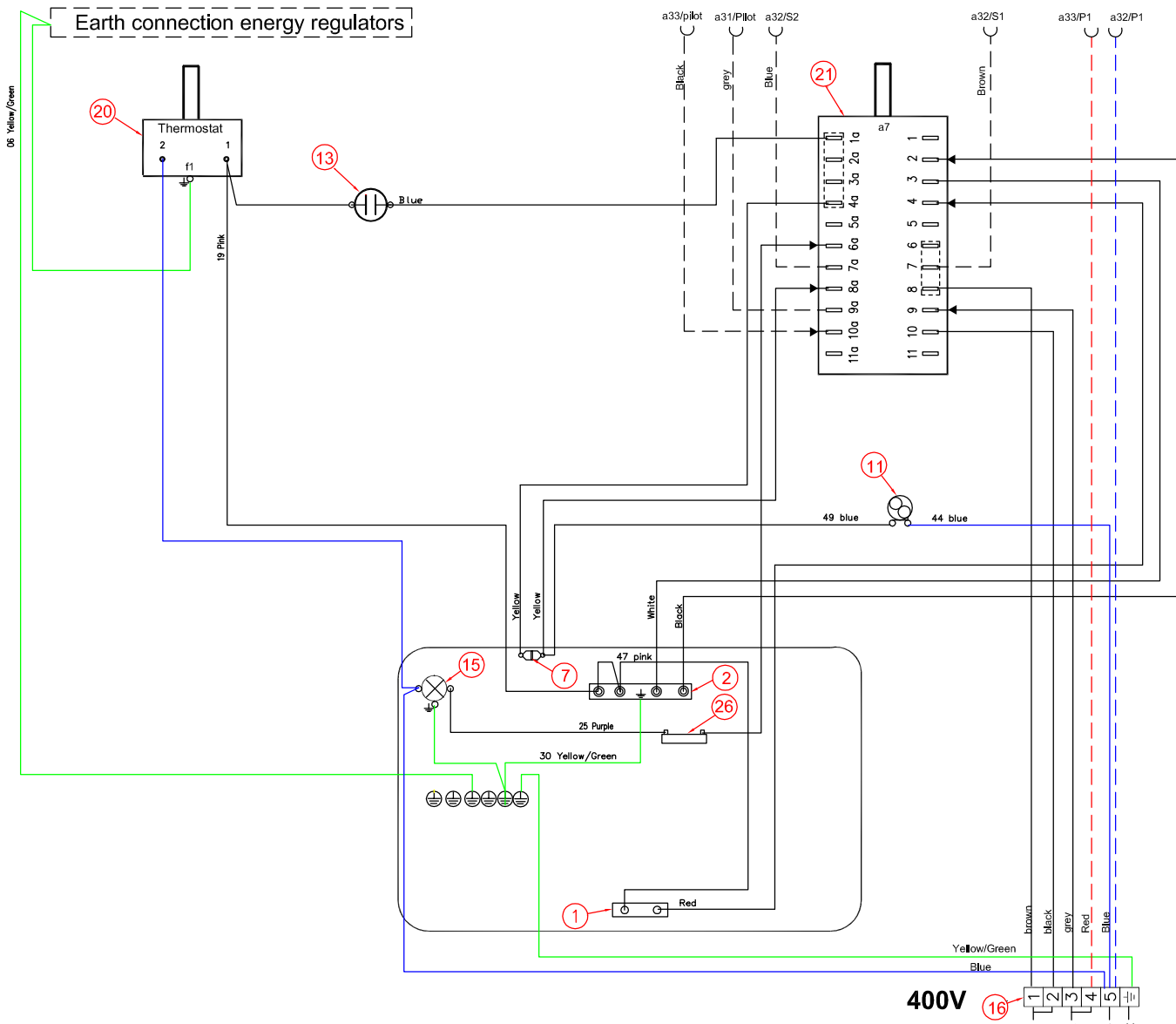


This drawing contains confidential information and is the property of Electrolux, without whose permission it shall not be reproduced, stored in a retrieval system or otherwise used and it is to be returned immediately upon request to the design owner, who is responsible for the drawing.

Items shown in this drawing must not contain substances that are banned according to Directive 2002/95/EC, the RoHS Directive, or Directive 2006/66/EC, the Battery Directive. Components, materials and substances used must be RoHS compliant, unless otherwise indicated. Please refer to the "RoHS Compliant" or "Restrictive" according to the Electrolux Restricted Materials List.



Earth connection energy regulators



POS	No	Components
27		
26	1	Resistor rear oven light 40W
25		
24		
23		
22		
21	1	Main switch/ oven function
20	1	Thermostat
19		
18		
17		
16	1	Main terminal
15	1	Ove lamp top
14		
13	1	control lamp oven
12		
11	1	Cooling fan
10	-	
9	-	
8	-	
7	1	Thermal cut out
6	-	
5	1	Thermostat cooling fan
4		
3		
2	1	Heating element top
1	1	Heating element lower

ID	DESCRIPTION	ELUX PART NO.
	Wiring list	349 4560
	Oven selector wiring	349 4245
	INSULATION HOUSING	
	LIST OF CRIMP CONTACTS	330 1766
	Component list	330 2222

VARIANT NUMBER	REPLACED NUMBER	POS	MODEL	DESIGN USERS	CHANGES FROM THE BASE NUMBER
349 4250-02					

400V (16)
3L - PE L1 L2 L3 PE

B	Wire pos 30 add, pos 03 and 21 removed	S,AH	ABS 2683	2006.01.16
A	First edition	hh	ABS 315	2004.11.29
POS	MODIFICATIONS	SIGNATURE	REQUEST	DATE
MATERIAL	WEIGHT	DESIGN USERS	REPLACES	EUROPEAN METHOD
TREATMENT	DERIVED FROM	SUPPLY SPECIFICATIONS		
DESIGN OWNER	DRN S,AH	CP S,AH	SKETCHED BY	REVIEWED BY
DATE	2004-10-20	APP S,AH	TITLE	Wiring oven assembly
Electrolux		NUMBER	349 4250	REV B
		SHEET		