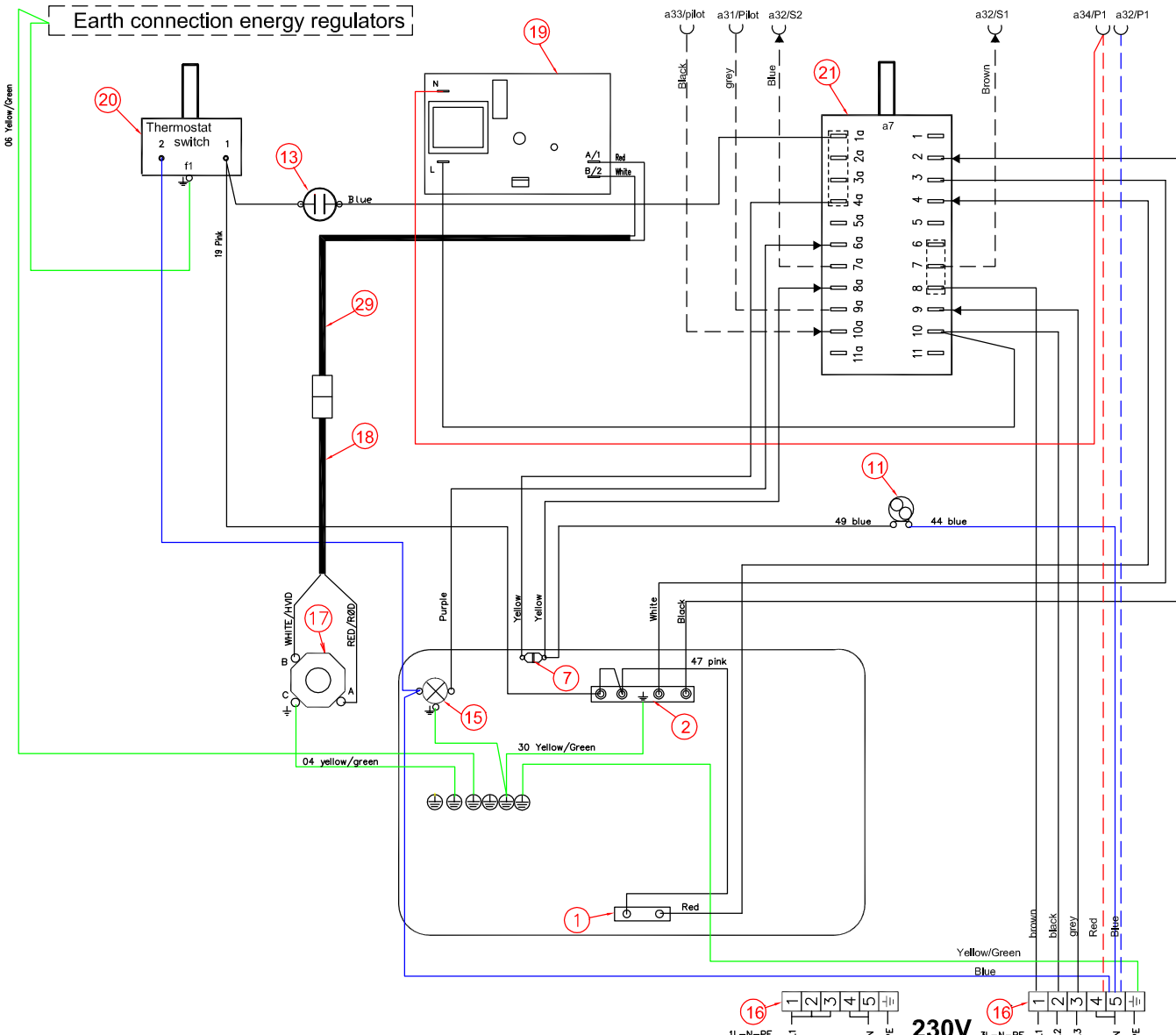
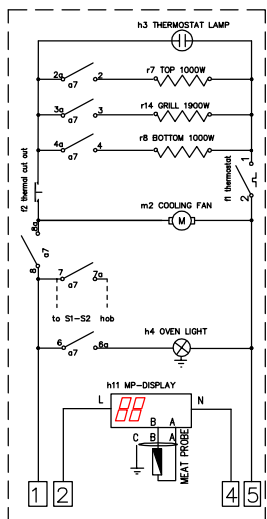


This drawing contains confidential information and is the property of Electrolux, without whose permission it shall not be reproduced, stored in a retrieval system or otherwise used and it is to be returned immediately upon request to the design owner, who is responsible for the drawing.

Items shown in this drawing must not contain substances that are banned according to Directive 2002/95/EC, the RoHS Directive. Chemical, RoHS and REACH information can be found in the RoHS and REACH Restricted Materials List.

GENERAL DIMENSIONS AND DIAMETERS



29	1	Wireset MP timer
28	-	
27	-	
26	-	
25	-	
24	-	
23	-	
22	-	
21	1	Main switch/ oven function
20	1	THERMOSTAT
19	1	HEATINGE PROBE DISPLAY
18	1	Wireset MP socket
17	1	JACK SOCKET
16	1	TERMINAL STRIP 6 PINS, SNAP
15	1	OVEN LAMP TOP
14	-	
13	1	CONTROL LAMP
12	-	
11	1	COOLING FAN
10	-	
9	-	
8	-	
7	1	THERMAL CUT OUT
6	-	
5	-	
4	-	
3	-	
2	1	HEATINGE LAMP TOP 1000/1900W
1	1	HEATINGE LAMP LOWER 1000W
POS	ANT	GENSTAND

ID	DESCRIPTION	ELUX PART NO.
	Oven selector wiring	349 4249
	INSULATION HOUSING	
	LIST OF CRIMP CONTACTS	330 1766
	Component list	330 2222
	Wiring list harness flins	349 4559
	Wiring list harness SIR	349 4543

VARIANT NUMBER	REPLACED NUMBER	POS.	MODEL	DESIGN USERS	CHANGES FROM THE BASE NUMBER
349 4248-02					

D	Wire pos 30 add, pos 03 and 21 removed	S.Ah	ABS 2683	2006.01.16
C	New wire, X1-a34-f11	IAN	ABS 1952	2005.11.18

MATERIAL		MODEL		SCALE		EUROPEAN METHOD	
TREATMENT		DESIGN USERS		REPLACES		DERIVED FROM	
DESIGN OWNER		DATE		SUPPLY SPECIFICATIONS		TITLE	
DRK	S.Ah	CP	S.Ah	REV	NOV/04	REV	LD
DATE	2004-10-22	APP	S.Ah	REV	NOV/04	REV	LD

Electrolux

NUMBER **349 4248**

REVISION SHEET