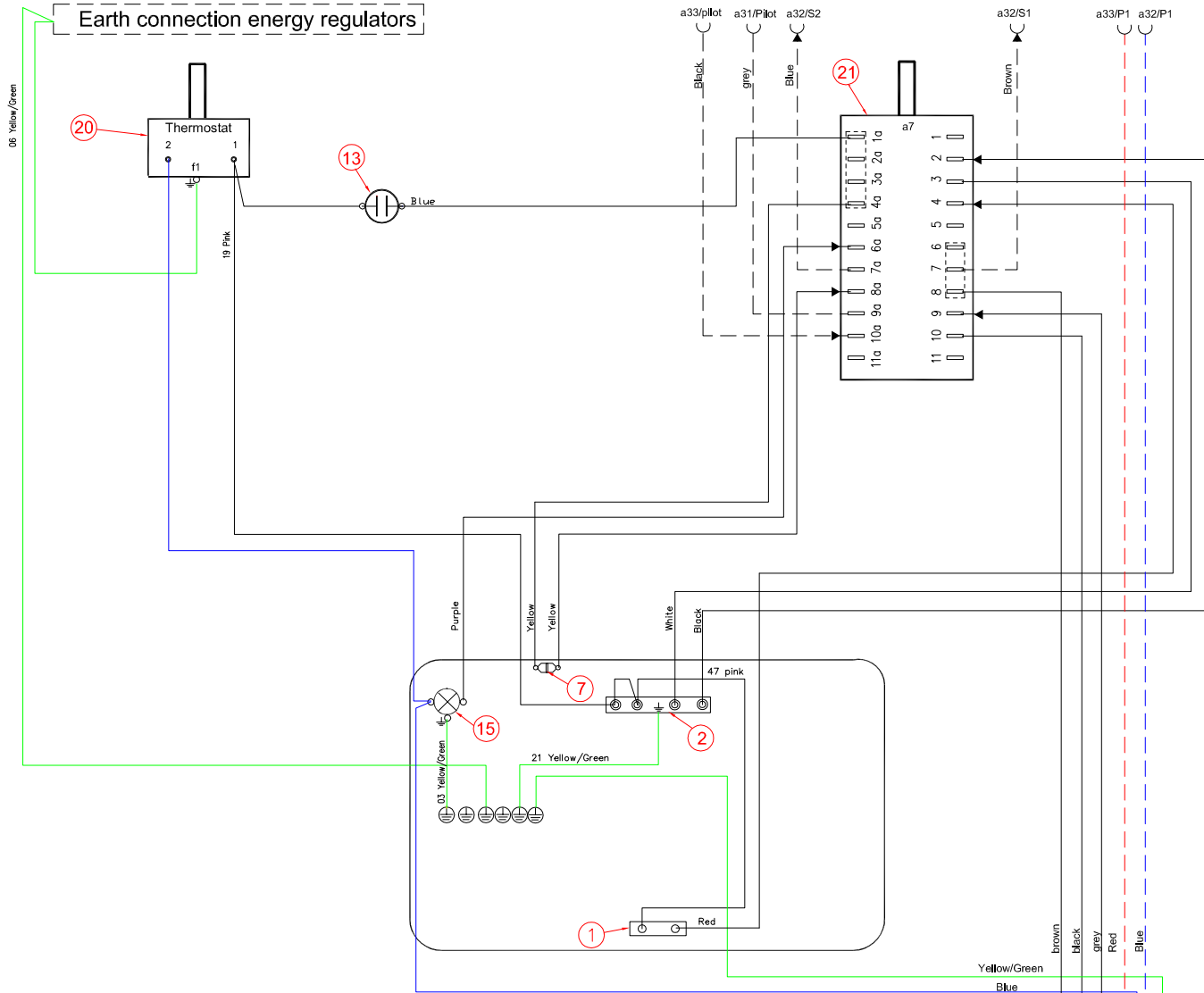
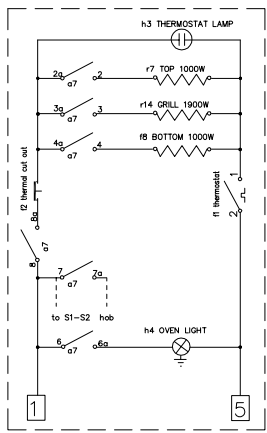


This drawing contains confidential information and is the property of Electrolux. It may not be copied, shown or handed to a third party without the prior written consent of the design owner, who is responsible for the drawing.

Items shown in this drawing must not contain substances listed in Annex II of the RoHS Directive (Lead, Cadmium, Mercury, Hexavalent Chromium, PBB and PBDE), or substances classified as "hazardous" or "restricted" according to the Electrolux Restricted Materials List.

GENERAL TOLERANCES
ANGLES
LENGTHS AND DIAMETERS



25	
24	
23	
22	
21	1 Main switch/ oven Function
20	1 THERMOSTAT
19	
18	
17	
16	1 TERMINAL STRIP 6 POLS, SNAP
15	1 OVEN LAMP TOP
14	
13	1 CONTROL LAMP
12	
11	
10	
9	
8	
7	1 THERMAL CUT OUT
6	
5	
4	
3	
2	1 HEATINGELE, TOP
1	1 HEATINGELE, LOWER
POS:ANT	GENSTAND

ID	DESCRIPTION	ELUX PART NO.
	Oven selector wiring	349 4245
	INSULATION HOUSING	
	LIST OF CRIMP CONTACTS	330 1766
	Component list	330 2222

349 4246-02	ABS 6160	POS	MODEL	DESIGN USERS	CHANGES FROM THE BASE NUMBER
VARIANT NUMBER	REPLACED NUMBER				



B Ovenswitch modified		hh	ABS 390	2005.01.17
A First edition		S.Ahl		2004.10.20
POS	MODIFICATIONS	SIGNATURE	REQUEST	DATE
MATERIAL	WEIGHT	DESIGN USERS	REPLACES	EUROPEAN METHOD
TREATMENT		DERIVED FROM	SUPPLY SPECIFICATIONS	
DESIGN OWNER	DRN S.Ahl	OP	3D ONLY	X
DATE	2004-10-20	APP	CONCEPT 3D	
			EXACT 3D	
TITLE		Wiring oven assembly		
Electrolux		NUMBER	349 4246	
		REV	B	
		SHEET		