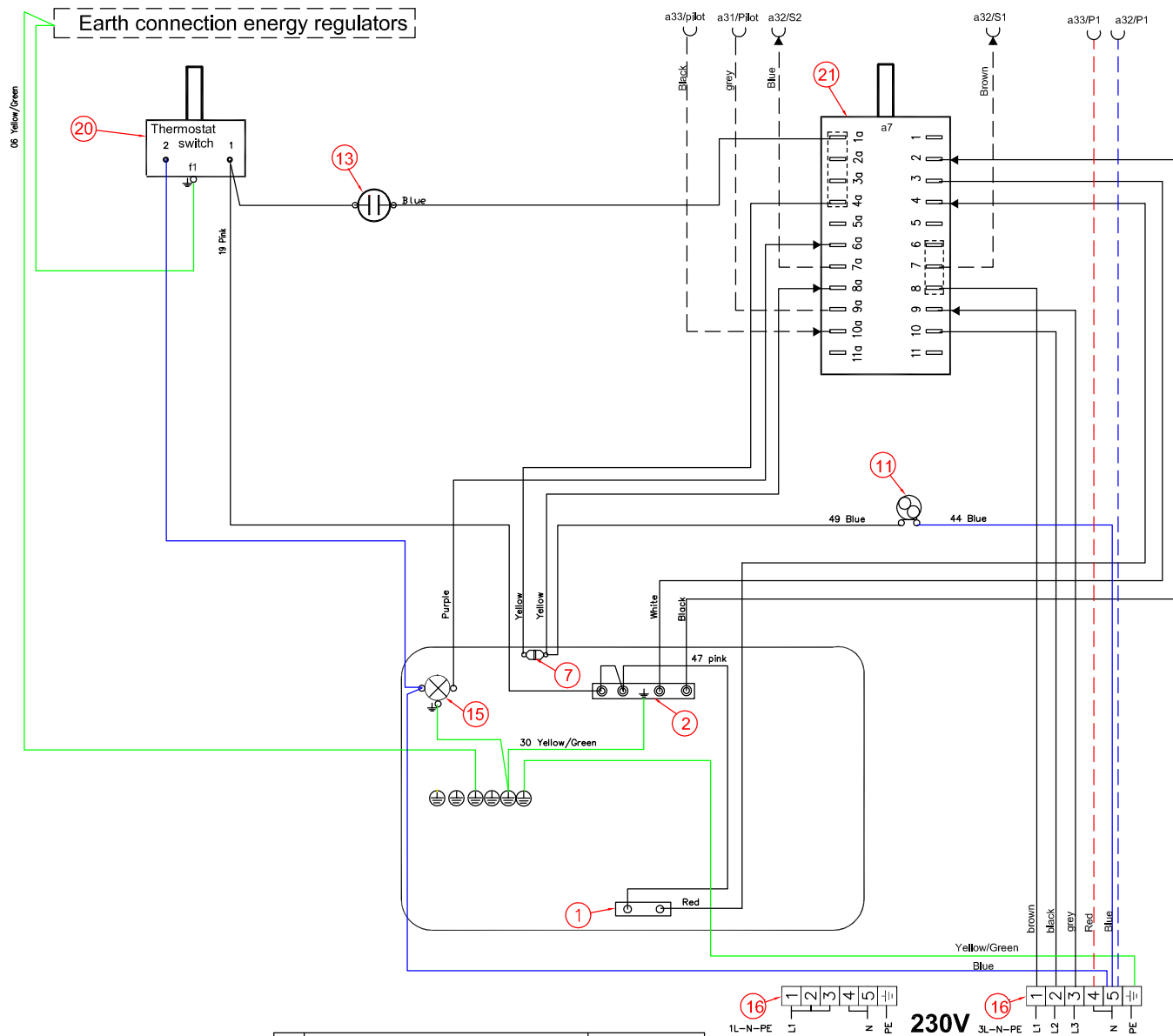
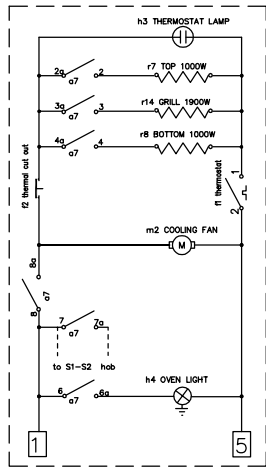


This drawing contains confidential information and is the property of Electrolux, without whose permission it shall not be reproduced, stored in a retrieval system or otherwise used and it is to be returned promptly upon request to the design owner, who is responsible for the drawing.

Items shown in this drawing must not contain substances that are banned according to Directive 2002/95/EC, the RoHS Directive. Certain RoHS exempt substances may be present in this drawing. The design owner is responsible for ensuring that the design owner, who is responsible for the drawing, is responsible for the drawing.

GENERAL DIMENSIONS AND DIAMETERS



25	
24	
23	
22	1 Main switch/ oven function
21	1 THERMOSTAT
20	1 THERMOSTAT
19	
18	
17	
16	1 TERMINAL STRIP 6 PINS, SNAP
15	1 OVEN LAMP TOP
14	
13	1 CONTROL LAMP
12	
11	1 COOLING FAN
10	
9	
8	
7	1 THERMAL CUT OUT
6	
5	1 THERMOSTAT/CLIXON COOLING FAN SO GR
4	
3	
2	1 HEATINGELE. TOP
1	1 HEATINGELE. LOWER
POS	ANT GENSTAND

ID	DESCRIPTION	ELUX PART NO.
	Wiring list harness	349 4257
	Oven selector wiring	349 4245
►	INSULATION HOUSING	
	LIST OF CRIMP CONTACTS	330 1766
	Component list	330 2222



349 4244-02	ABS 6160	POS	MODEL	DESIGN USERS	CHANGES FROM THE BASE NUMBER
VARIANT NUMBER	REPLACED NUMBER				

C Wire pos 30 add, pos 03 and 21 removed		S.Ah	ABS 2683	2006.01.16
B Wiring list number removed		S.Ah	ABS 391	2005.01.17
POS	MODIFICATIONS	SIGNATURE	REQUEST	DATE
MATERIAL	WEIGHT	DESIGN USERS	REPLACES	EUROPEAN METHOD
TREATMENT	WEIGHT	DESIGN USERS	REPLACES	EUROPEAN METHOD
DESIGN OWNER	DATE	DATE	DATE	SUPPLY SPECIFICATIONS
2004-10-20		2004-10-20		TITLE
Wiring oven assembly				
Electrolux		NUMBER		REV C
		349 4244		SHEET