

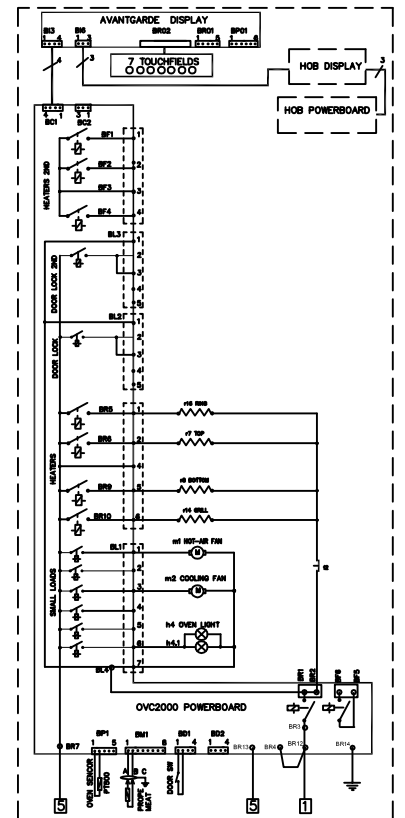
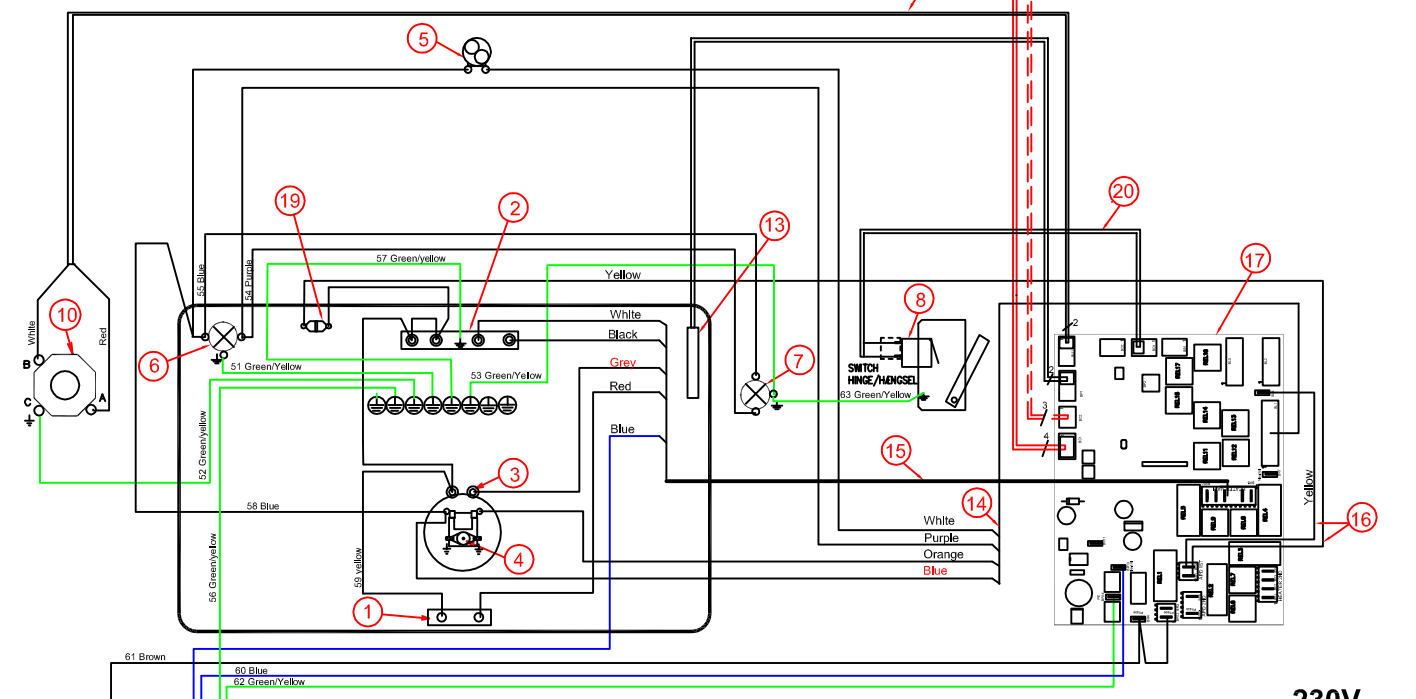
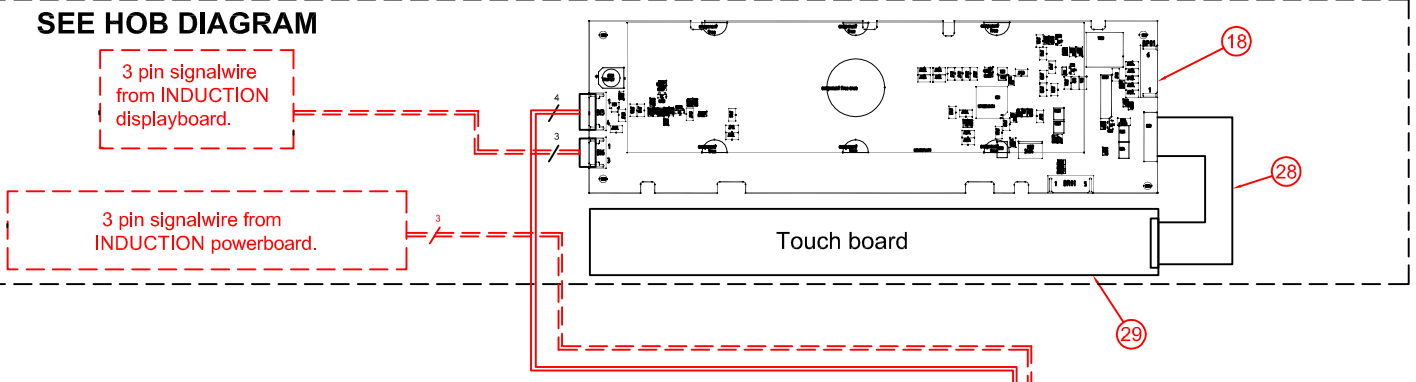
This drawing contains confidential information and is the property of Electrolux. Without whose permission it shall not be reproduced, stored in a retrieval system or otherwise used and it is to be returned immediately upon request to the design owner, who is responsible for the drawing.

Items shown in this drawing must not contain substances that are banned according to Directive 2002/95/EC, the RoHS Directive. Chemicals, components, materials or parts must be RoHS compliant. Please refer to the "Banned" or "Restricted" according to the Electrolux Restricted Materials List.

SEE HOB DIAGRAM

3 pin signalwire from INDUCTION displayboard.

3 pin signalwire from INDUCTION powerboard.



29	1	Touch board
28	1	Ribbon cable
27	-	
26	-	
25	-	
24	-	
23	-	
22	-	
21	1	Wire set induction-OVC2000
20	1	Wire set light switch
19	1	Heat protector
18	1	Display Avantgarde
17	1	OVC 2000 power board
16	1	Wire set APD
15	1	Wire set heater
14	1	Wire set small loads
13	1	Oven PT500 sensor
12	1	Wire set MACS OVC 2000 - display
11	1	Wire set meat probe
10	1	Jack socket meat probe
9	1	Main terminal
8	1	Microswitch fan / light
7	1	Oven lamp slide
6	1	Oven lamp back
5	1	Cooling fan
4	1	Fan motor hot air
3	1	Heating elem. hot air 2400W
2	1	Heating elem. top 1000/1900W
1	1	Heating elem. lower 1000W

Pos No	Components
E	Wiring induction unit to OVC2000, and ground-wire pos.63
D	Change wiring and pos of heat protection

ID	DESCRIPTION	ELUX PART NO.
	INSULATION HOUSING	
	LIST OF CRIMP CONTACTS	330 1766
	Component list	330 2222
	Wiring OVC 2000 harness	349 4552

230V

DESIGN	SCALE	MODEL	DATE
DESIGN USERS	REPLACES	DERIVED FROM	SUPPLY SPECIFICATIONS
PERSON OWNER	DATE	TITLE	Wiring oven assembly
Electrolux		NUMBER	349 4209
		REV	E
		SHEET	

oven harness 349 4552

349 4209-02	ABS 6122	POS.	MODEL	DESIGN USERS	CHANGES FROM THE BASE NUMBER
VARIANT NUMBER	REPLACED NUMBER				