

This drawing contains confidential information and is the property of Electrolux. Without whose permission it shall not be reproduced, stored in a retrieval system or otherwise used and it is to be returned immediately upon request to the design owner, who is responsible for the drawing.

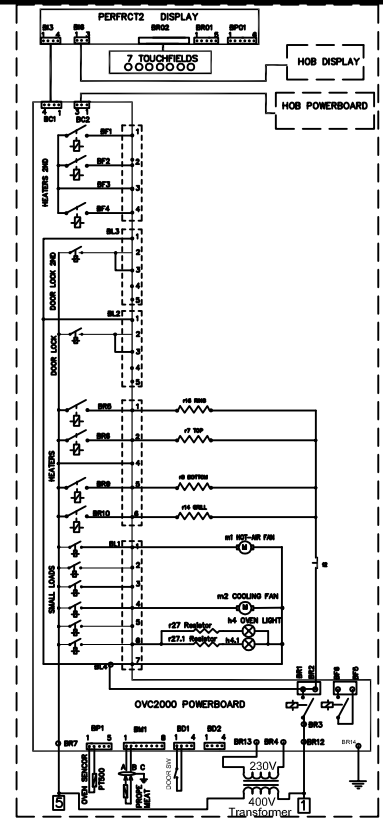
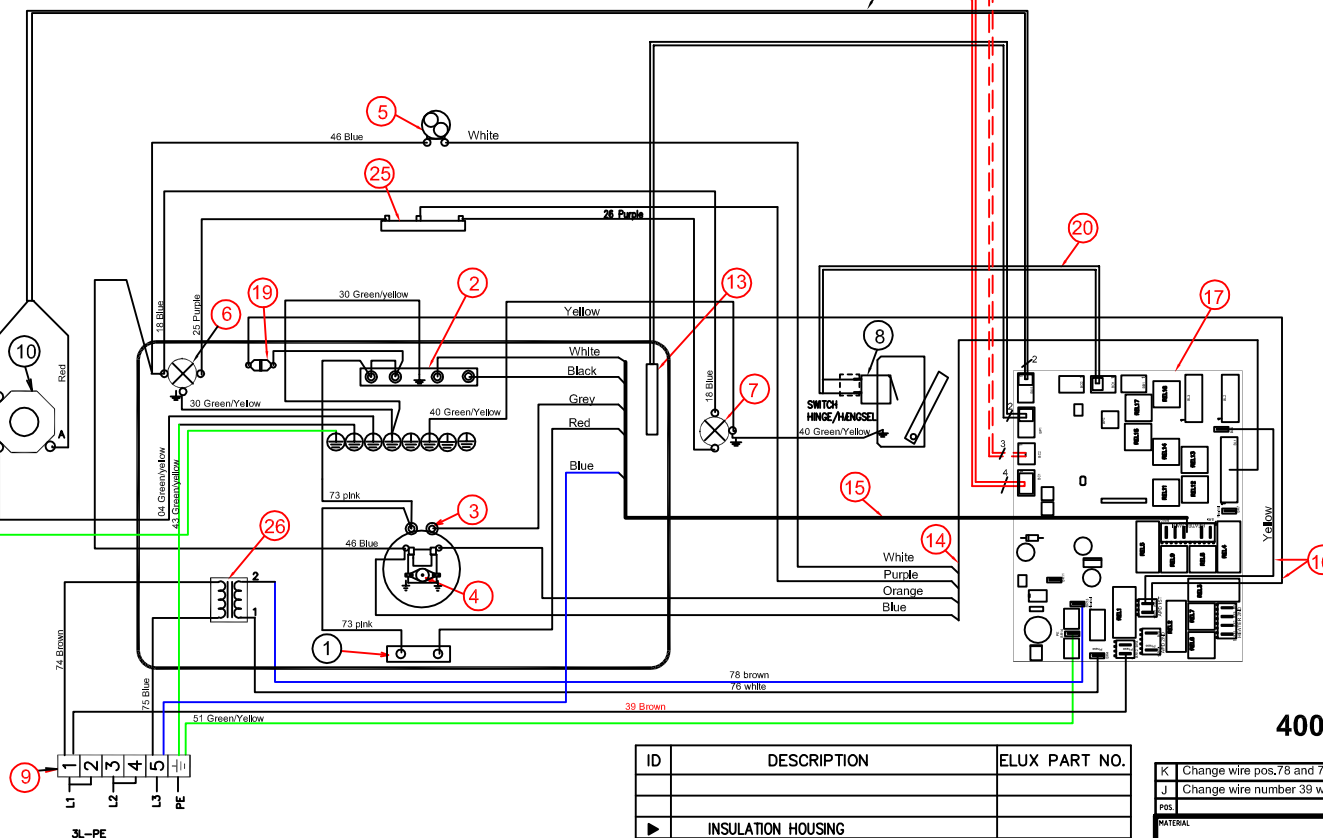
Items shown in this drawing must not contain substances that are banned according to Directive 2002/95/EC, the RoHS Directive. The design owner is responsible for ensuring that the parts, PCB and PWB are RoHS compliant. "Banned" or "Restricted" according to the Electrolux Restricted Materials List.

SEE HOB DIAGRAM

3 pin signalwire from hob displayboard.

3 pin signalwire from hob powerboard.

Green/Yellow earth connection from hob



Pos	No	Components
29	1	Touch board
28	1	Ribbon cable
27	1	Transformer 400V/230V
26	1	Resistor oven lamp 400W+25W
25	1	Resistor oven lamp 400W+25W
24	1	Resistor oven lamp 400W+25W
23	1	Resistor oven lamp 400W+25W
22	1	Resistor oven lamp 400W+25W
21	1	Wire set Induction -OVC2000
20	1	Wire set Light switch
19	1	Heat protector
18	1	Display
17	1	OVC 2000 power board
16	1	Wire set AFD
15	1	Wire set heater
14	1	Wire set small loads
13	1	Oven Pt 500 sensor
12	1	Wire set MACS OVC2000 - display
11	1	Wire set meat probe
10	1	Jack socket meat probe
9	1	Main terminal
8	1	Microswitch fan / light
7	1	Oven lamp slide
6	1	Oven lamp back slide
5	1	Ceiling fan
4	1	Fan motor hot air
3	1	HeatIn elem. hot air 2400W
2	1	Heating elem. top 1000/1900W
1	1	Heating elem. lower 1000W

ID	DESCRIPTION	ELUX PART NO.
▶	INSULATION HOUSING	
	LIST OF CRIMP CONTACTS	330 1766
	Component list	330 2222
	Wiring OVC 2000 harness	349 4199
	Wiring list harness	349 5123

400V

K	Change wire pos.78 and 76	IAN	ABS 3269	2006.05.16
J	Change wire number 39 was 83	S.Ahl	ABS 3072	2006.03.28
POS	MODIFICATIONS	SIGNATURE	REQUEST	DATE
MATERIAL	WEIGHT	DESIGN USERS	REPLACES	EUROPEAN METHOD
TREATMENT	DESIGN OWNER	DERIVED FROM	SUPPLY SPECIFICATIONS	
DESIGN OWNER	DATE 2004 08 26	APPR S.Ahl	RECEIVED	
TITLE Wiring oven assembly				
Electrolux		NUMBER 349 4201		

349 4201-02	ABS 6124 400V	POS	MODEL	DESIGN USERS	CHANGES FROM THE BASE NUMBER
VARIANT NUMBER	REPLACED NUMBER				