

This drawing contains confidential information and is the property of Electrolux, without whose permission it may not be reproduced, stored in a retrieval system or otherwise used and it is to be returned immediately upon request to the design owner, who is responsible for the drawing.

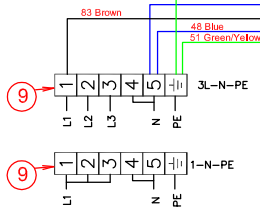
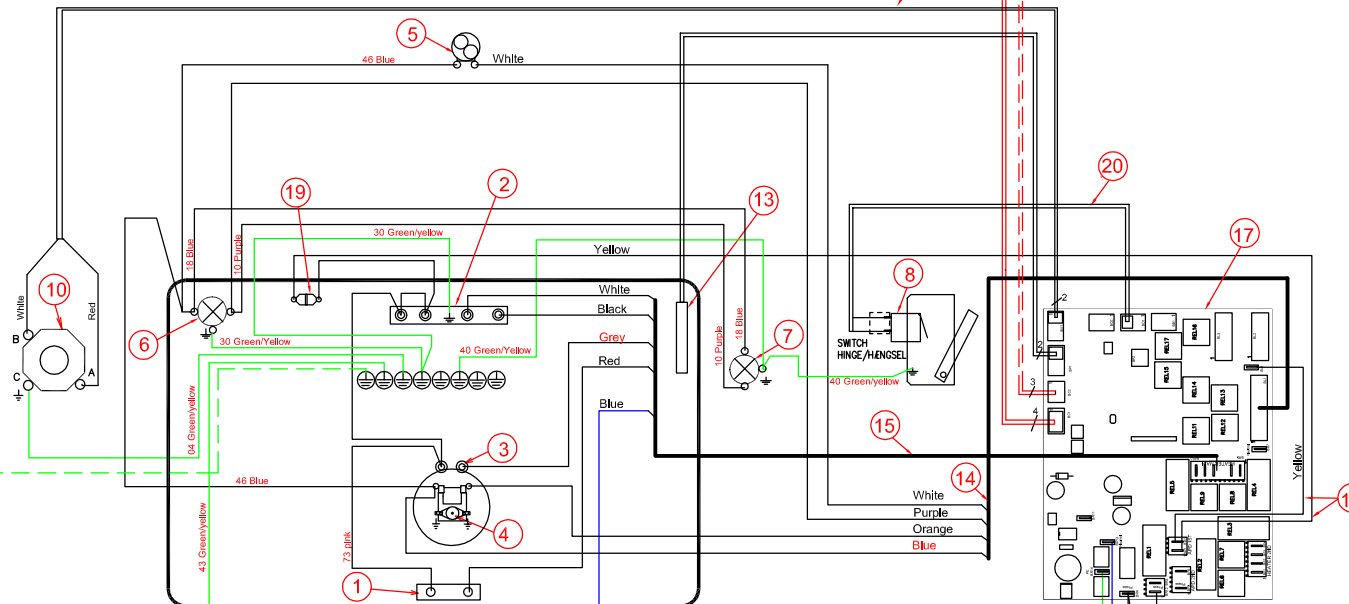
Items shown in this drawing must not contain substances that are banned according to Directive 2002/95/EC, the RoHS Directive. The design owner, Electrolux, is responsible for ensuring that the components used in this drawing do not contain "Banned" or "Restricted" materials according to the Electrolux Restricted Materials List.

SEE HOB DIAGRAM

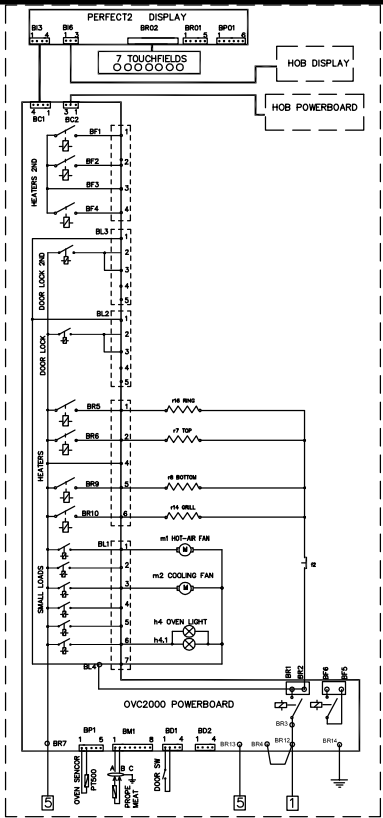
3 pin signalwire from hob displayboard.

3 pin signalwire from hob powerboard.

Green/Yellow earth connector from hob



ID	DESCRIPTION	ELUX PART NO.
▶	INSULATION HOUSING	
	LIST OF CRIMP CONTACTS	330 1766
	Component list	330 2222
	Wiring OVC 2000 harness	349 4199
	Wiring list harness (only for SIR)	349 5122
	Wiring list harness (only for induction hob)	349 5126
	Wiring list harness (only for SIT)	349 5127



Pos	No	Components
29	1	Touch board
28	1	Ribbon cable
27	-	
26	-	
25	-	
24	-	
23	-	
22	-	
21	-	
20	1	Wire set Light switch
19	1	Heat protector
18	1	Display
17	1	OVC 2000 power board
16	1	Wire set APD
15	1	Wire set heater
14	1	Wire set small loads
13	1	Oven PT500 sensor
12	-	
11	1	Wire set meat probe
10	1	Jack socket meat probe
9	1	Main terminal
8	1	Microswitch fan / light
7	1	Oven lamp slide
6	1	Oven lamp back
5	1	Cooling fan
4	1	Fan motor hot air
3	1	Heatin elem. hot air 2400W
2	1	Heating elem. top 1000/1900W
1	1	Heating elem. lower 1000W

230V

Change	DESCRIPTION	Author	Part No.	Date
H	Change wire number, optimized for wiring list harness	S.Ahl	ABS 2777	2006.01.28
G	Change colour of wire	IAN	ABS 1792	2005.11.04



NUMBER **349 4200** REV **H** SHEET