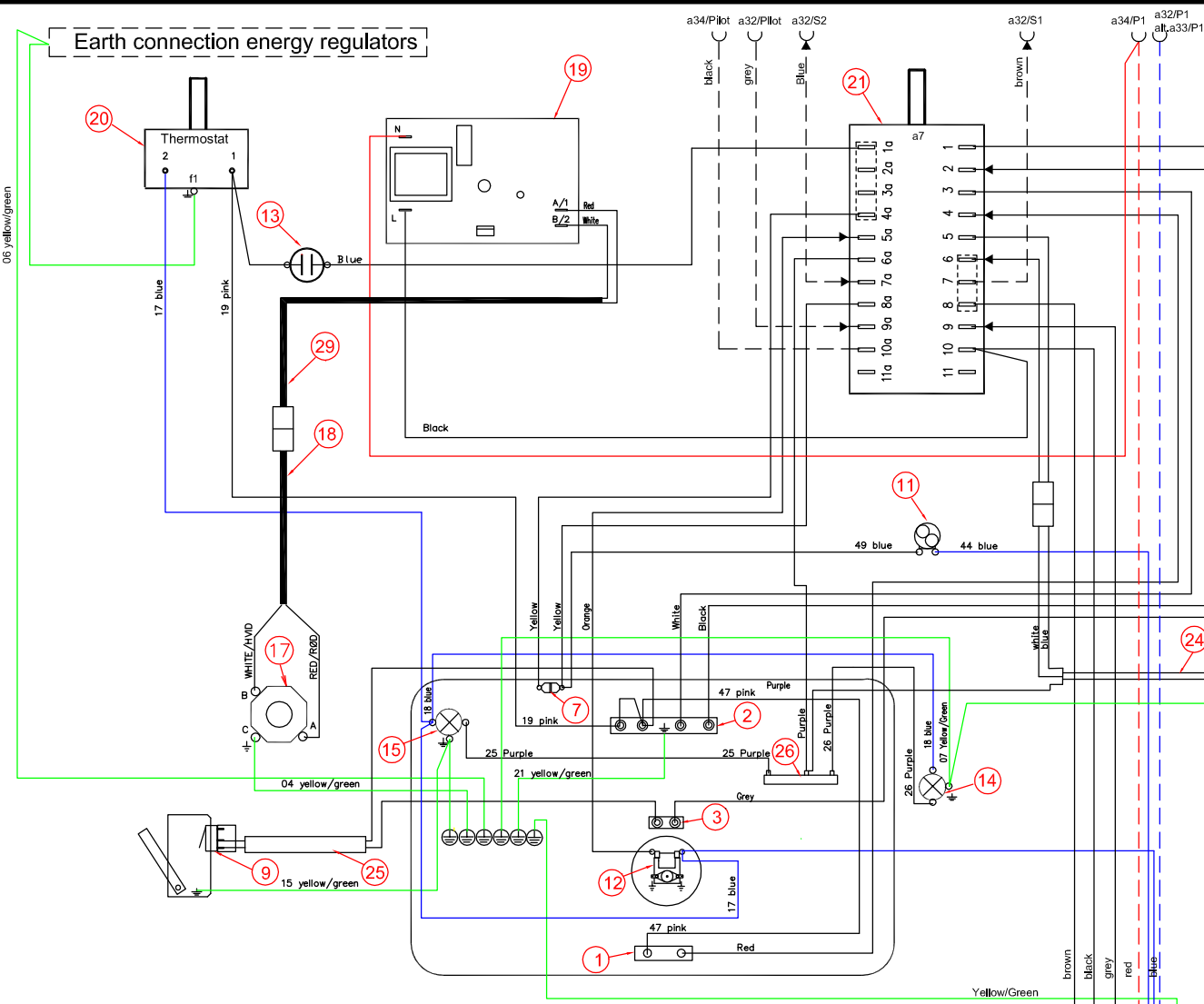
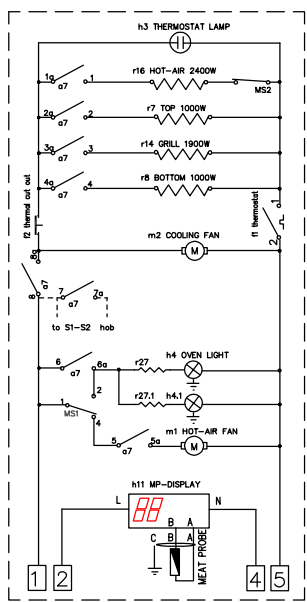


This drawing contains confidential information and is the property of Electrolux, without whose permission it may not be reproduced, stored in a retrieval system or otherwise used and it is to be returned immediately upon request to the design owner, who is responsible for the drawing.

Items shown in this drawing must not contain substances that are banned according to Directive 2002/95/EC, the RoHS Directive. The design owner, Chemun Recrypt, reserves the right to change the RoHS status of the components, "Banned" or "Restricted" according to the Electrolux Restricted Materials List.



29	1	Wireset MP timer
28	-	
27	-	
26	1	Resistor oven lamp 40W/25V
25	1	WIRESET DOORSWITCH hot air element
24	1	WIRESET DOORSWITCH LIGHT
23	-	
22	-	
21	1	Main switch/ oven function
20	1	THERMOSTAT
19	1	MEATPROBE DISPLAY
18	1	Wireset MP socket
17	1	JACK SOCKET
16	1	TERMINAL STRIP 6 POLS, SNAP
15	1	OVEN LAMP TOP
14	1	Oven lamp side
13	1	THERMOSTAT LAMP
12	1	FAN MOTOR HOT AIR OVEN
11	1	COOLING FAN
10	-	
9	2	MICROSWITCH FAN/LIGHT
8	-	
7	1	THERMAL CUT OUT
6	-	
5	-	
4	-	
3	1	HEATINGELE. HOTAIR 2400W
2	1	HEATINGELE. TOP 1000/1900W
1	1	HEATINGELE. LOWER 1000W

Note

ID	DESCRIPTION	ELUX PART NO.
	Oven selector wiring	349 4179
	INSULATION HOUSING	
	LIST OF CRIMP CONTACTS	330 1766
	Component list	330 2222

G	Correction wire identification	S.Ah	ABS 2936	2006.03.16
F	Text a32/P1 alt, a33/P1 blue wire from terminal	S.Ah	ABS 2846	2006.02.07

POS	MODIFICATIONS	SIGNATURE	REQUEST	DATE
MATERIAL	WEIGHT	DESIGN USERS	REPLACES	EUROPEAN METHOD
TREATMENT	DESIGN OWNER	DERIVED FROM	SUPPLY SPECIFICATIONS	
DESIGN OWNER	DRN S.Ah	CO	CONCEPT	MM
DATE	2004-10-20	APP	EXE	BO
TITLE				Wiring oven assembly

Electrolux

NUMBER **349 4196**

REV LG

SHEET

349 4196-02	ABS 6021	400V		
VARIANT NUMBER	REPLACED NUMBER	POS	MODEL	DESIGN USERS
CHANGES FROM THE BASE NUMBER				