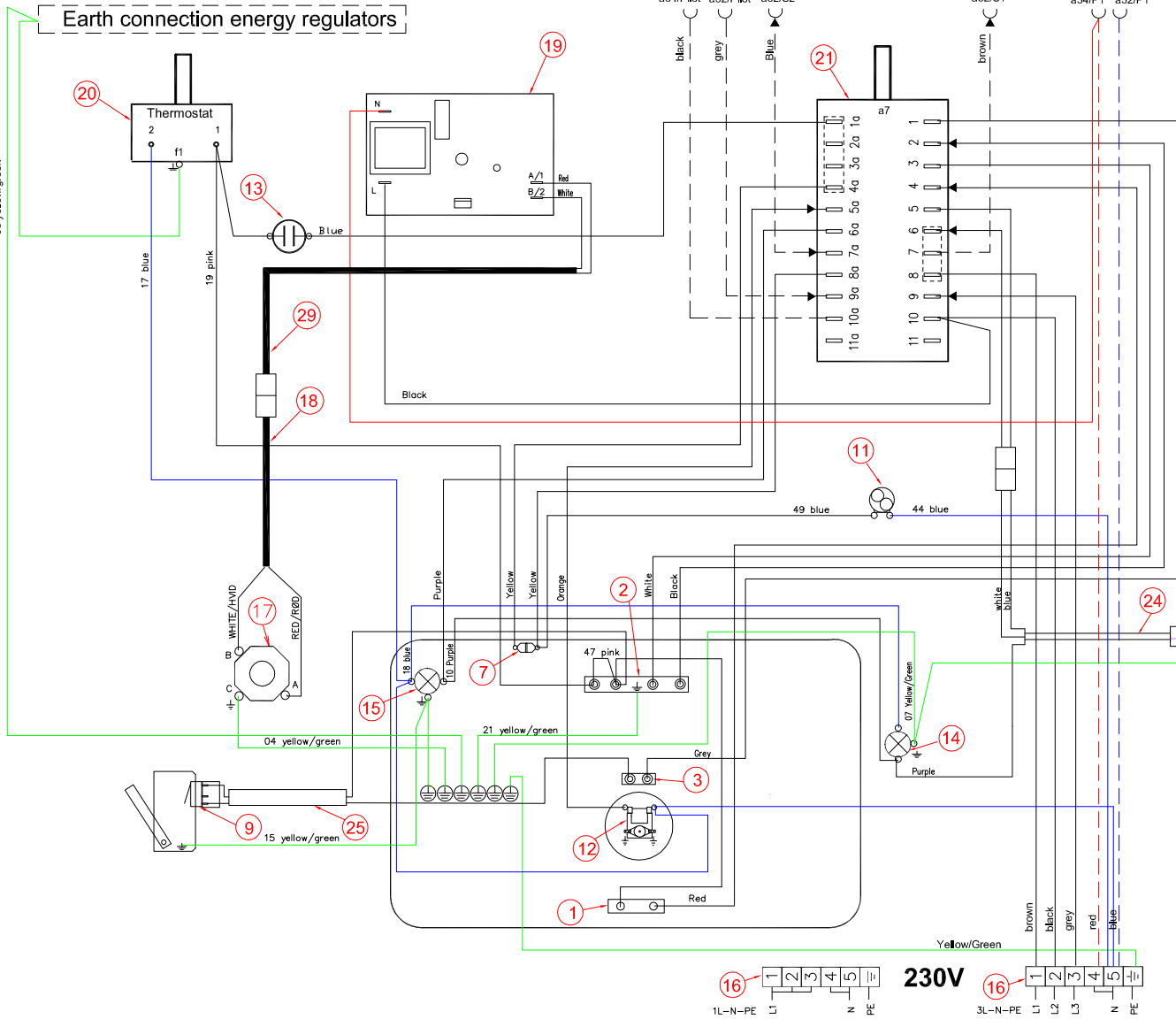
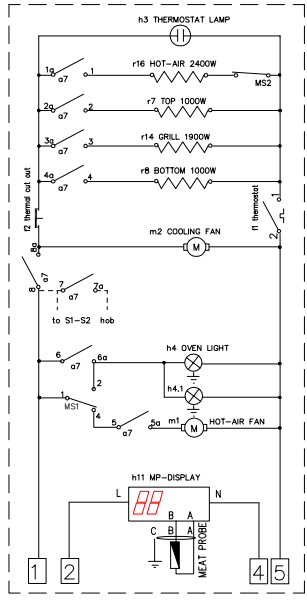


This drawing contains confidential information and is the property of Electrolux. Without whose permission it is not to be reproduced, copied, disseminated or otherwise used and it is to be returned promptly upon request to the design owner, who is responsible for the drawing.

Items shown in this drawing must not contain substances as listed in Annex II of the RoHS Directive (2002/95/EC), or in Annex I of the REACH Regulation (EC/1831/2003) or otherwise used and it is to be returned promptly upon request to the design owner, who is responsible for the drawing.



29	1	Wireset MP timer
28	-	
27	-	
25	1	WIRESSET DOORSWITCH hot air element
24	1	WIRESSET DOORSWITCH
23	-	
22	-	
21	1	Main switch/ oven function
20	1	THERMOSTAT
19	1	MEATPROBE DISPLAY
18	1	Wireset MP socket
17	1	JACK PLUG
16	1	TERMINAL STRIP 6 POLS, SNAP
15	1	OVEN LAMP TOP
14	1	OVEN LAMP SIDE
13	1	THERMOSTAT LAMP
12	1	FAN/DIODE HEATPROVEN
11	1	COOLING FAN
10	-	
9	2	MICROSWITCH FAN/LIGHT
8	-	
7	1	THERMAL CUT OUT
6	-	
5	-	
4	-	
3	1	HEATINGELE. HOTAIR 2400W
2	1	HEATINGELE. TOP 1000/1900W
1	1	HEATINGELE. LOWER 1000W
POS ANT		GENSTAND

ID	DESCRIPTION	ELUX PART NO.
	Oven selector wiring	349 4179
	INSULATION HOUSING	
	LIST OF CRIMP CONTACTS	330 1766
	Component list	330 2222

349 4178-02	ABS 6113	POS.	MODEL	DESIGN USERS	CHANGES FROM THE BASE NUMBER
VARIANT NUMBER	REPLAZED NUMBER				



D New wire X114-a34/P1-11/N		IAN	ABS 1952	2005.11.18
C Updated		S,ANH	ABS 421	2005.01.20
POS.	MODIFICATIONS	SIGNATURE	REQUEST	DATE
MATERIAL	SCALE	DESIGN USERS	REPLACES	EUROPEAN METHOD
TREATMENT	WEIGHT	DERIVED FROM	SUPPLY SPECIFICATIONS	
DESIGN OWNER	DATE	DATE	TITLE	
Electrolux		NUMBER	349 4178	REV D