

Gk. m. T. E-3x1 1x2 1x3

View from top  
Ansicht von oben

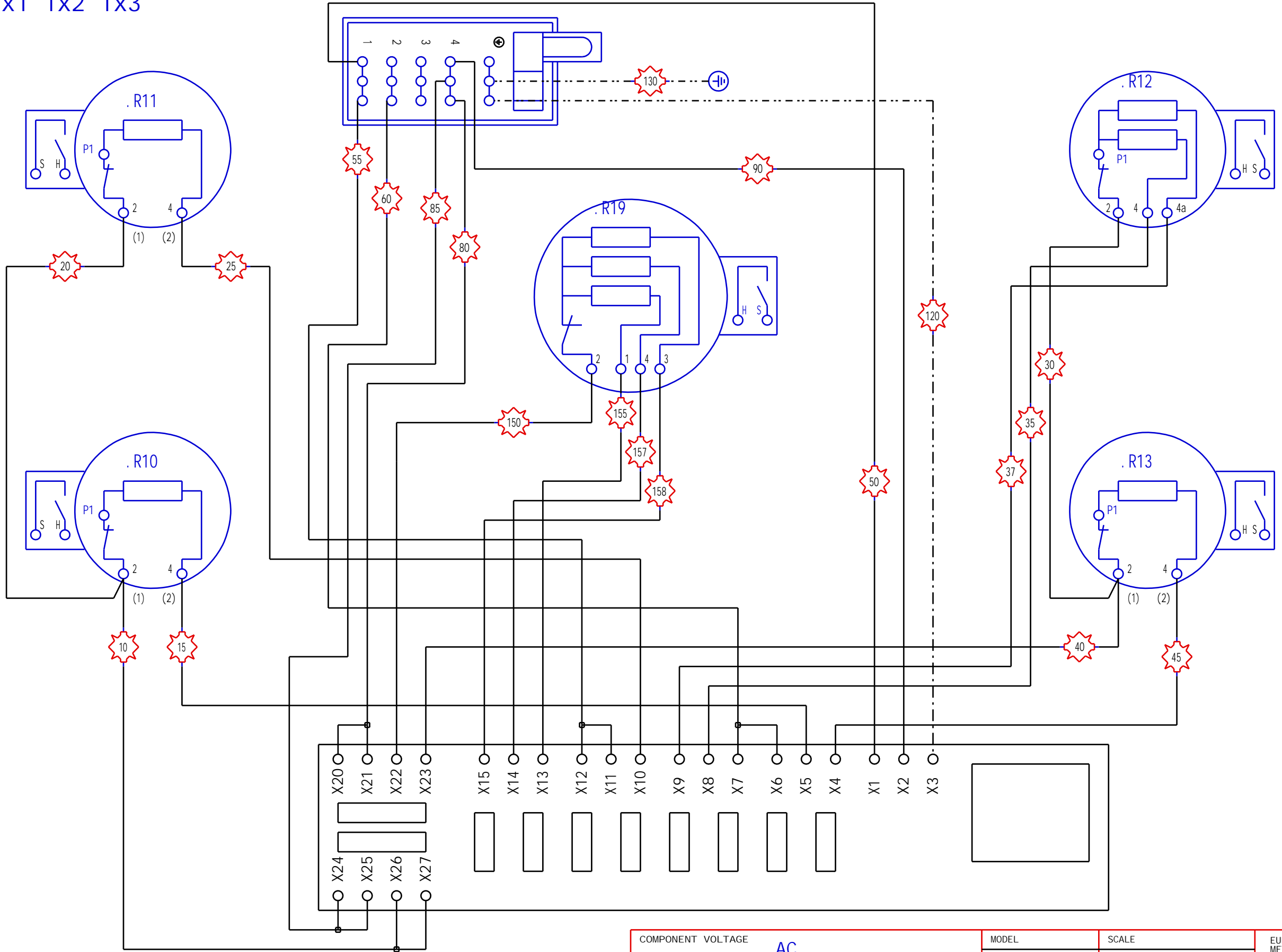
This drawing contains confidential information and is the property of Electrolux JUNO Küchentechnik GmbH. Without the permission of Electrolux JUNO Küchentechnik GmbH, it may not be copied, shown or handed to a third party or otherwise used, and it is to be returned promptly upon request to the division in D-35745 Herborn-Burg, which is responsible for the drawing.

[2] Critical dimensions which must be under capability

SAFETY REQUIREMENT

Visible surfaces.  
Draft angles (not shown):

BIG CORNER	
Pos.	Gehäuseseite
10	links
15	links
25	links
50	links
55	links
60	links
80	links
85	links
90	links
35	rechts
37	rechts
40	rechts
45	rechts
120	links
150	links
155	links
157	links
158	links



d					
c					
b					
a	Neuer Plan mit Tabelle für BIG CORNER	Wei ß 18. 12. 02	<del>code</del>	DGT15008	<del>XXXXXX</del>
POS	NK	DEJ2593	MODIFIKATION	SIGNATURE	REQUEST
					DATE

COMPONENT VOLTAGE		AC	
PARTLIST		WEIGHT	
DESIGN OWNER	DRN	CHD	DATE
-	GoebeV	GoebeV Malina	18. 12. 2002

MODEL	SCALE	EUROPEAN METHOD
DESIGN USERS	REPLACES No	
DEJ	DERIVED FROM No	A
	SUPPLY SPECIFICATIONS No	

**Electrolux**  
JUNO KÜCHENTECHNIK GmbH

TITLE  
**WIRING DIAGRAM**

NUMBER **330 5374 01** REV **A**