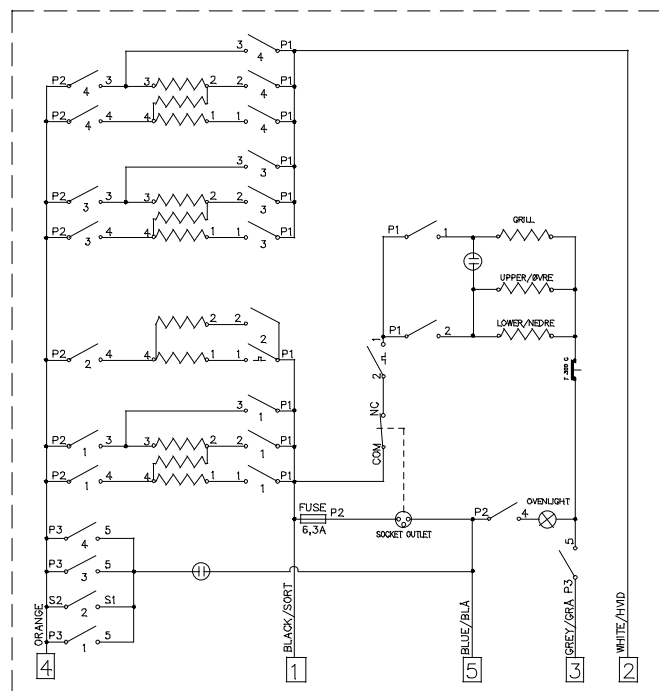
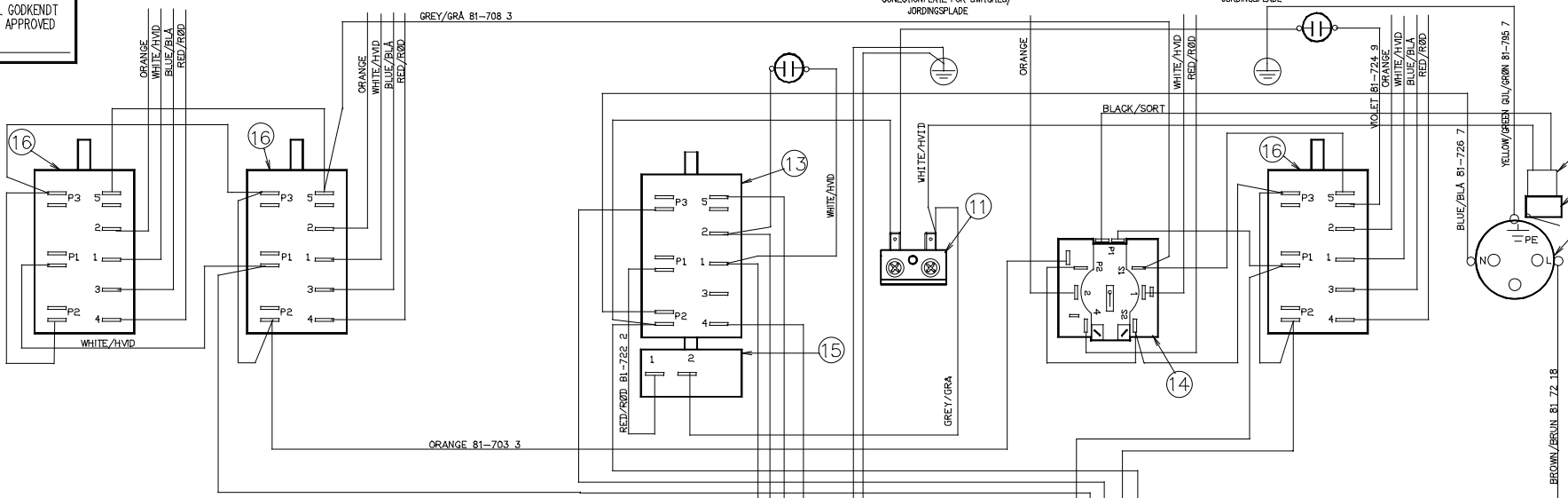
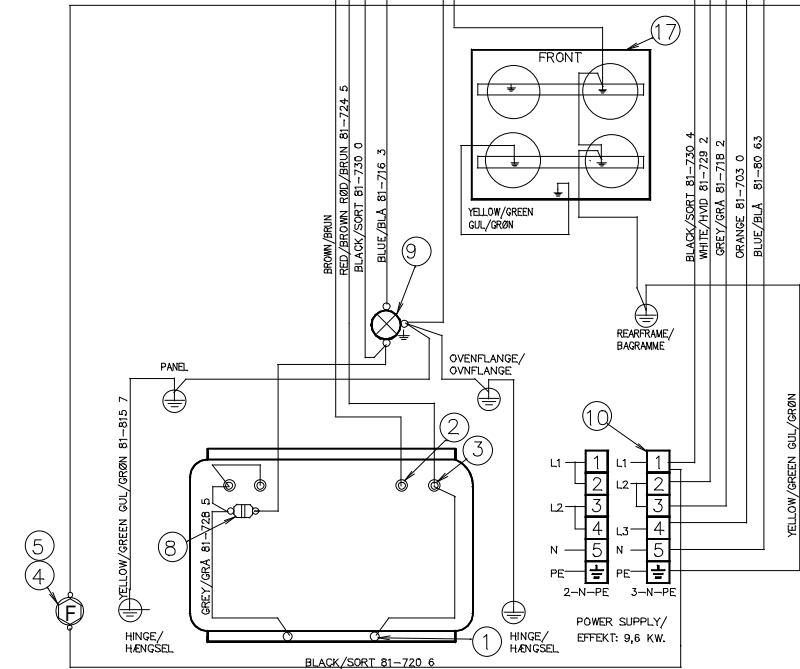


PRODUKTIONENS PRØVEMODEL GODKENDT  
TEST MODEL OF PRODUCTION APPROVED  
DATE: \_\_\_\_\_ SIGN: \_\_\_\_\_



TYPE: CSS400	
MODEL	PRODUCT NO.
ETM3123-hv	948.231.035

SWITCH F OVEN/ AFBRYDER F.OVN	<input checked="" type="checkbox"/>	<input checked="" type="checkbox"/>	<input checked="" type="checkbox"/>	<input checked="" type="checkbox"/>
LIGHT / LYS	<input checked="" type="checkbox"/>	<input checked="" type="checkbox"/>	<input checked="" type="checkbox"/>	<input checked="" type="checkbox"/>
OVN ØVN	<input checked="" type="checkbox"/>	<input checked="" type="checkbox"/>	<input checked="" type="checkbox"/>	<input checked="" type="checkbox"/>
GRILL	<input checked="" type="checkbox"/>	<input checked="" type="checkbox"/>	<input checked="" type="checkbox"/>	<input checked="" type="checkbox"/>
GRILL	<input checked="" type="checkbox"/>	<input checked="" type="checkbox"/>	<input checked="" type="checkbox"/>	<input checked="" type="checkbox"/>



NO	DESCRIPTION	REVISION
17	TOPPLATE DIAGRAM/OVERPLADE DIAGRAM	905368
16	ENERGY REGUL./AFBRYDER 7-TRIN RoHS	
15	OVN THERMOSTAT/THERMOSTAT 320 GR	
14	THERMOSTAT 230/400V FOR MASSEPL. RoHS	
13	L SWITCH F OVEN/AFBRYDER TRÅD. ØVN RoHS	
12	WIRESSET SOCKET OUT-LET	
11	TERMINAL STRIP/KLEMMEBÅKE 2 PDL., RoHS	
10	TERMINAL STRIP/KLEMMEBÅKE 6 PDL.S,SNAP	
9	OVN LAMP TOP/OVN LAMPE TOP 25V 230V	
8	THERMIFUSE/THERMISIKRING 300 C	
7	L SOCKET OUT-LET/STIKKONTAKT 6,3 A	
6	L SWITCH FOR STIKKONTAKT	
5	FUSE/SMELTESIKRING 6,3 A RoHS	
4	L FUSEHOLDER/SIKRINGSHOLDER RoHS	
3	L HEATINGELE. TOP/VARMELEGG.ØV. RoHS 1000W 400V	
2	L HEATINGELE. GRILL/VARMELEGG.GRILL 2300W 400V	
1	L HEATINGELE. LØVER/VARMELEGG.NED 1000W 400V	

NO	DESCRIPTION	REVISION
1	FIRST EDITION/FØRSTE UDGAVE REV. A	

MATERIAL	DKK	HH	PB	2006-09-29
DESIGN OWNER	DRN	CHD	PB	DATE
APPR.	HH	APPR.		2006-09-29



MODEL	SCALE	-; -
DESIGN USERS	REPLACES	325 90 25 32
	DERIVED FROM	-
	SUPPLY SPECIFICATIONS	-
TITLE	LINERA COOKER SOLID LINERA MASSEPLADE KOMFUR	
NUMBER	325 90 25 58	REV A