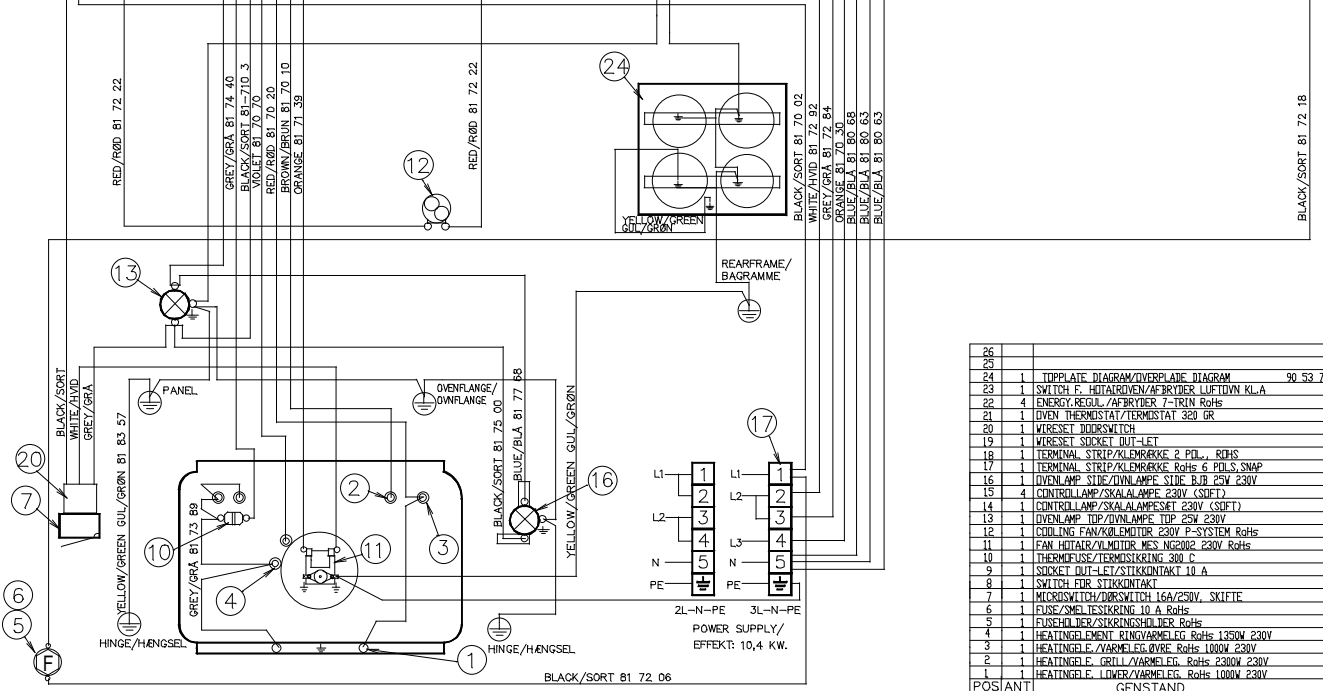
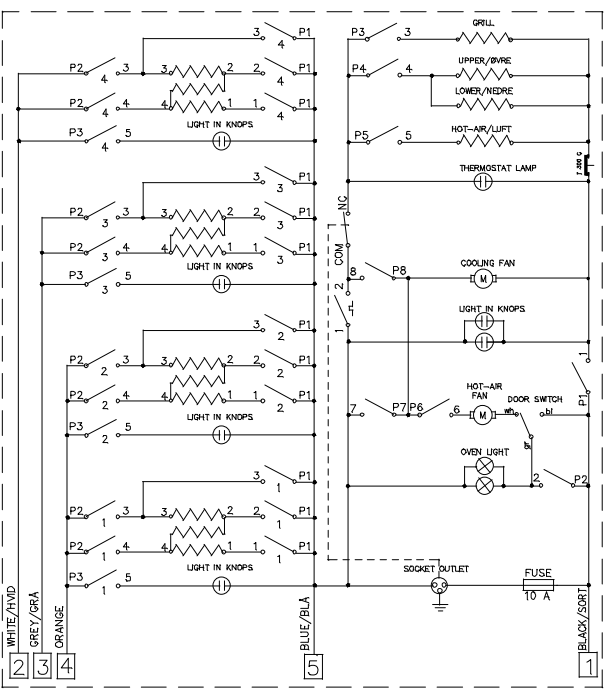
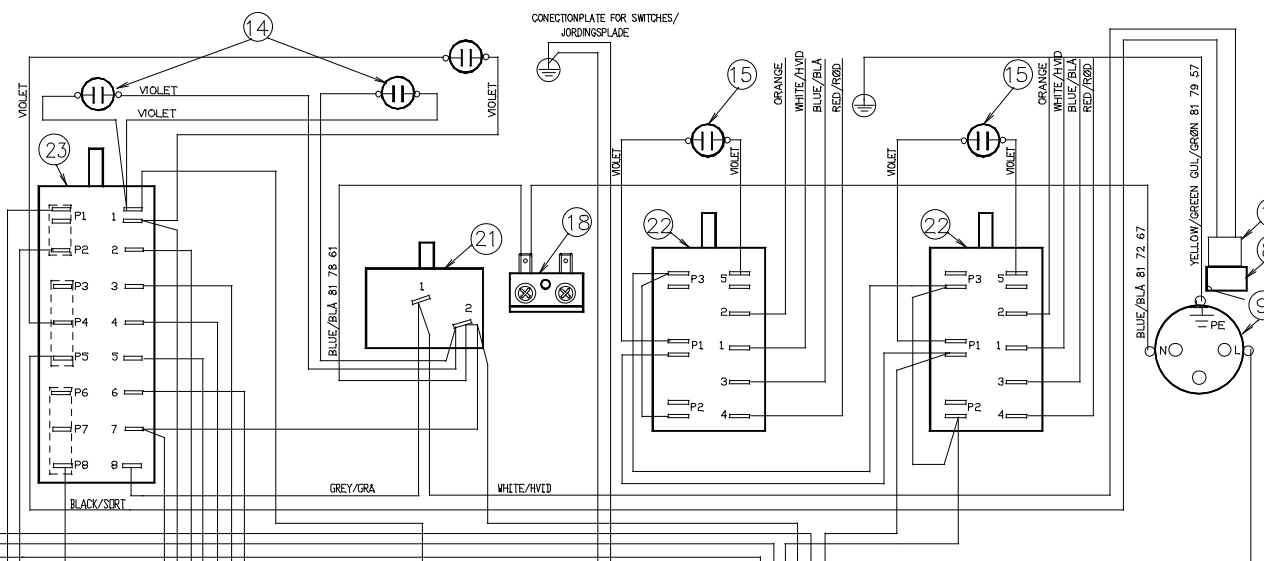
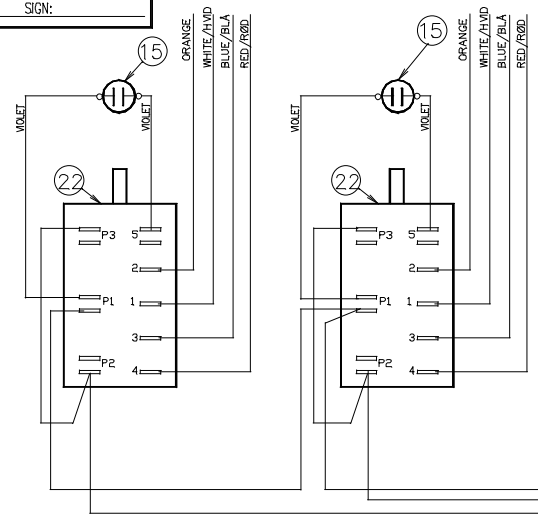


PRODUKTIONENS PRØVEMODEL GODKENDT
 TEST MODEL OF PRODUCTION APPROVED
 DATE: _____ SIGN: _____



SWITCH F. HOTAIR OVEN CLASS A
 AFBRYDER F. LUFTOVN KLASSE A

	1	2	3	4	5	6	7	8
P1	P2	P3	P4	P5	P6	P7	P8	

TYPE: CSS 400	
MODEL	PRODUCT NO.
ELM4204-hv	948 231 033

3D HOT-AIR	1	X	X	X	X	X	X	
TOP/BOTTOM HEAT	2	X	X	X				
2D HOT-AIR ECONOMIC	3	X	X	X	X	X	X	
FAN + GRILL	4	X	X	X				
GRILL	5	X	X	X				

WIRINGSET/LEDNINGSSÆT PANEL: 325 80 57 90

POS	MODIFICATIONS	SIGNATURE	REQUEST	DATE
		HH	PB	2006-09-29

MATERIAL	TREATMENT	WEIGHT
DESIGN OWNER	DRN	CHD
DATE	APPR	DATE
2006-09-29		



26		
25		
24	1	TOPPLATE DIAGRAM/ØVERPLATE DIAGRAM 90 53 75
23	1	SWITCH F. HØJTAIRØVEN/AFBRYDER LUFTOVN KLASSE A
22	4	ENERGY REGUL./AFBRYDER 7-TRIN RØHS
21	1	OVEN THERMOSTAT/TERMOSTAT 320 GR
20	1	WIRESET DOORSWITCH
19	1	WIRESET SOCKET OUT-LET
18	1	TERMINAL STRIP/KL.EMERKE 2 POL., RØHS
17	1	TERMINAL STRIP/KL.EMERKE RØHS 6 POL., SNAP
16	1	OVEN LAMP SIDE/ØVN LAMPE SIDE BJB 25V 230V
15	4	CONTROL LAMP/SKALALAMPE 230V (SØFT)
14	1	CONTROL LAMP/SKALALAMPESET 230V (SØFT)
13	1	OVEN LAMP TOP/BØJN LAMPE TOP 25V 230V
12	1	COILING FAN/KØLEVENTOR 230V F-SYSTEM RØHS
11	1	FAN HØJTAIR/ØVMØJLER MES. NG2002 230V RØHS
10	1	THERMUSE/TERMOSIKRING 300 C
9	1	SOCKET OUT-LET/STIKKONTAKT 10 A
8	1	SWITCH FOR STIKKONTAKT
7	1	MICROSWITCH/DØRSKIFTER 16A/250V, SKIFTE
6	1	FUSE/SØBEL TILSKRINKING 10 A RØHS
5	1	FUSEHOLDER/STIKRINGSHOLDER RØHS
4	1	HEATING ELEMENT RINGVARMELÆG RØHS 1350W 230V
3	1	HEATING ELEMENT RINGVARMELÆG RØHS 1000W 230V
2	1	HEATING ELEMENT RINGVARMELÆG RØHS 2300W 230V
1	1	HEATING ELEMENT RINGVARMELÆG RØHS 1000W 230V

MODEL	SCALE	—:—
DESIGN USERS	REPLACES	325 80 25 53
DKK	DERIVED FROM	—
	SUPPLY SPECIFICATIONS	—
TYPE: FUTURA COOKER SOLID		
FUTURA MASSEPL. KOMFUR		
NUMBER	325 90 25 56	
REV	A	