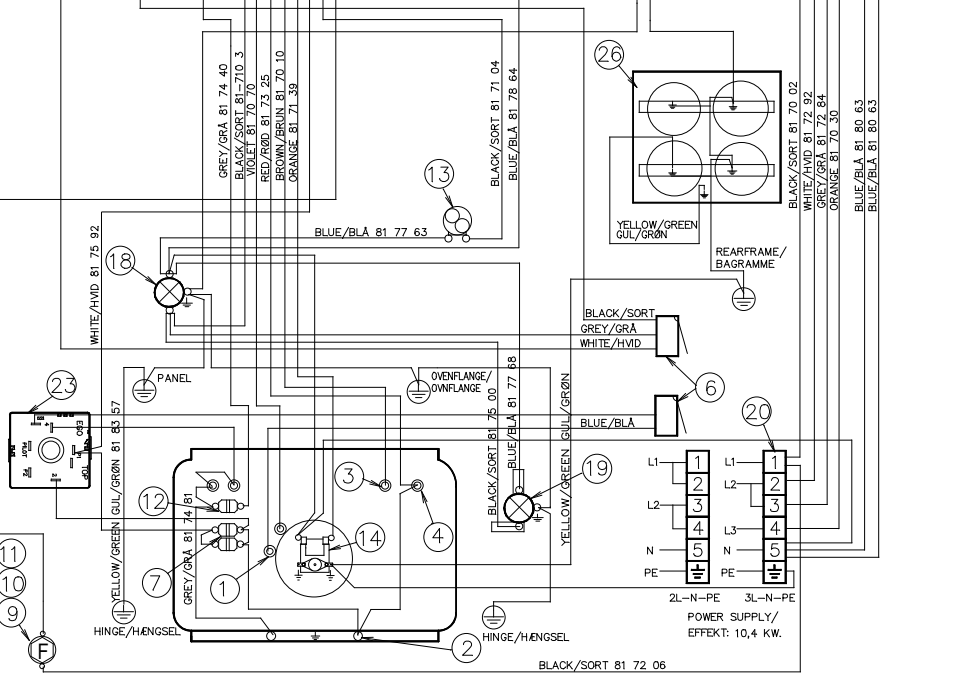
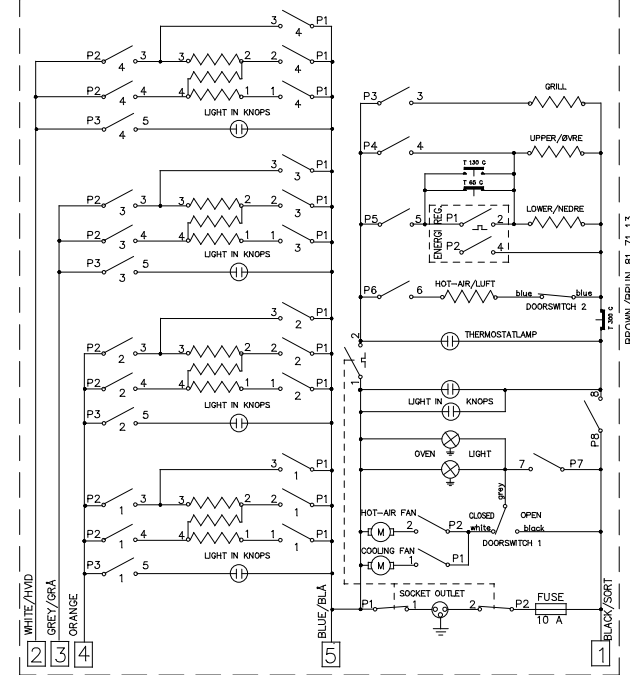
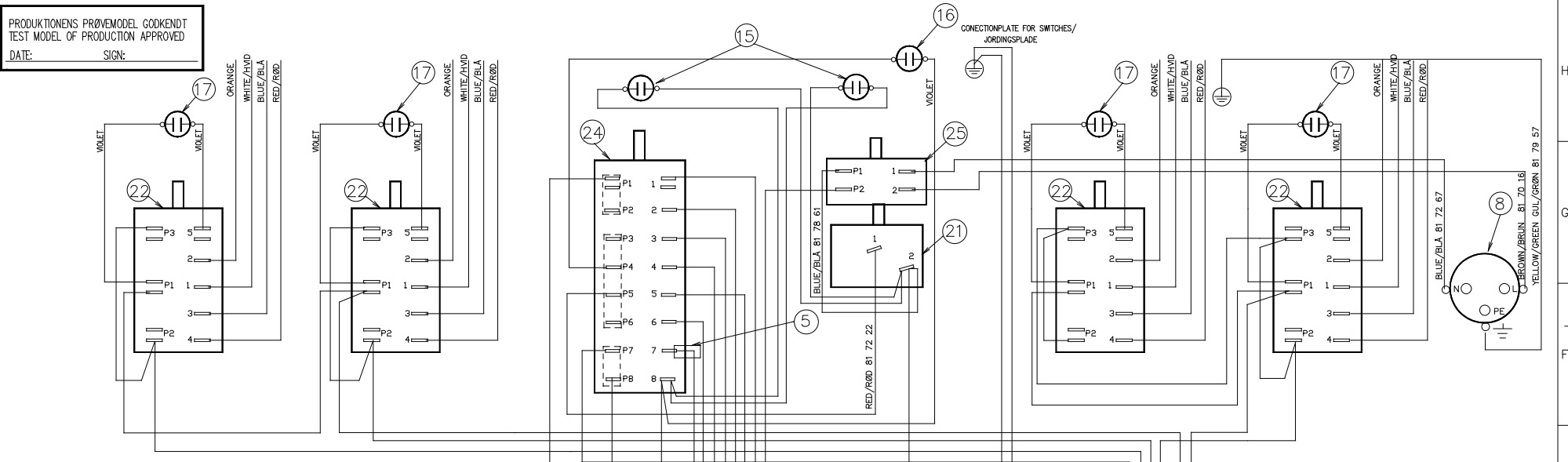


This drawing contains confidential information and is the property of ELECTROLUX HOME PRODUCTS FREDERICA A/S or handed to a third party or otherwise safeguard it to the Business Secretariat of ELECTROLUX HOME PRODUCTS FREDERICA which is responsible for the drawing.

Items shown in this drawing must not contain substances classified as "banned" or "restricted" according to the Electrolux Group Restricted Materials List (see www.electrolux.com) or to the Business Secretariat of ELECTROLUX HOME PRODUCTS FREDERICA. These lists are based on legislation and on Electrolux requirements.

Critical dimensions which must be under capability  
 Visible surfaces  
 Draft angles (not shown):

GENERAL TOLERANCES RANGES AND DIMENSIONS  
 THEORETICAL FLAT AREA  
 DEVELOPED FLAT AREA  
 TYPE: CSS 400  
 MODEL: ELM4204-hv  
 PRODUCT NO.: 948 231 024



POS	ANT	GENSTAND	90 53 75
26	1	TOPPLATE/DIAGRAM/OVERPLADE DIAGRAM	90 53 75
25	1	SWITCH/AFBRYDER FOR STIKKONTAKT	
24	1	SWITCH F. HØTAROVEN/AFBRYDER LUFTOVN (ØKD)	
23	1	ENERGY.REG./SIMMERSTAT. KL.A 230V	
22	4	ENERGY.REGUL./AFBRYDER 7-TRIN	
21	1	OVN THERMOSTAT/TERMOSTAT 320 GR	
20	1	TERMINAL STRIP/KLEMRØRKE 6 POLS. SNAP (1-5)	
19	1	OVNLAMP SIDE/OVNLAMPE SIDE B-B 25W 230V	
18	1	OVNLAMP TOP/OVNLAMPE TOP 25W 230V	
17	4	CONTROLAMP/SKALLAMPE 230V (SØFT)	
16	1	CONTROLAMP/KONTROLLAMPE 230V FIKRANTET	
15	1	CONTROLAMP/SKALLAMPSEK 230V (SØFT)	
14	1	FAN HØTAR/VØRMOTOR HES NG2002 230V	
13	1	COOLING FAN/VØLMOTOR 230V P-SYSTEM	
12	1	THERMOFUSE/TERMOSTSKRING 300 C	
11	1	FUSEHOLDER/SIKRINGSHOLDER	
10	1	CAP. FDR FUSE/KAPPE FDR SIKRINGSHOLDER	
9	2	FUSE/SMELTESKRING 10 A	
8	1	SOCKET BUT-LÆT/SIKKONTAKT 10 A	
7	1	TERMOSTAT 65/130 ENERGIKL. A	
6	1	MICROSWITCH/SWITCH LYS/BLESER(140.C)	
5	1	INSULATION COVER/TYLLE F. LASBAR SKD	
4	1	HEATINGELE. UPPER/VARMELEG.VØRE 1000W 230V	
3	1	HEATINGELE. GRØLL/VARMELEG.GRØLL 2300W 230V	
2	1	HEATINGELE. LOWER/VARMELEG.NED 1000W 230V	
1	1	HEATINGELENT. RINGVARMELENE 1350W 230V	

WIRINGSET/LEDNINGSSÆT PANEL: 325 80 47 70

POS	MODIFICATIONS	SIGNATURE	REQUEST	DATE

MATERIAL	DESIGN OWNER	DRN	CHD	PB	DATE	WEIGHT	SCALE
-	DKK	HH	APPR.	2005-06-06	-	-	-
							TITLE: FUTURA COOKER SOLID FUTURA MASSEPL. KOMFUR NUMBER: 325 90 25 53 REV: 1