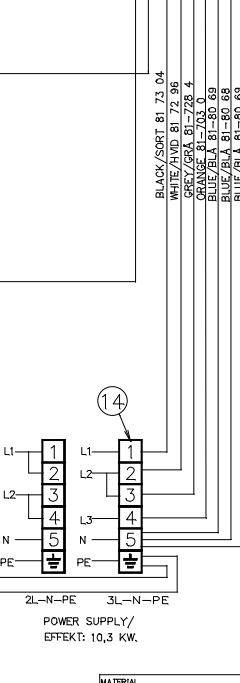
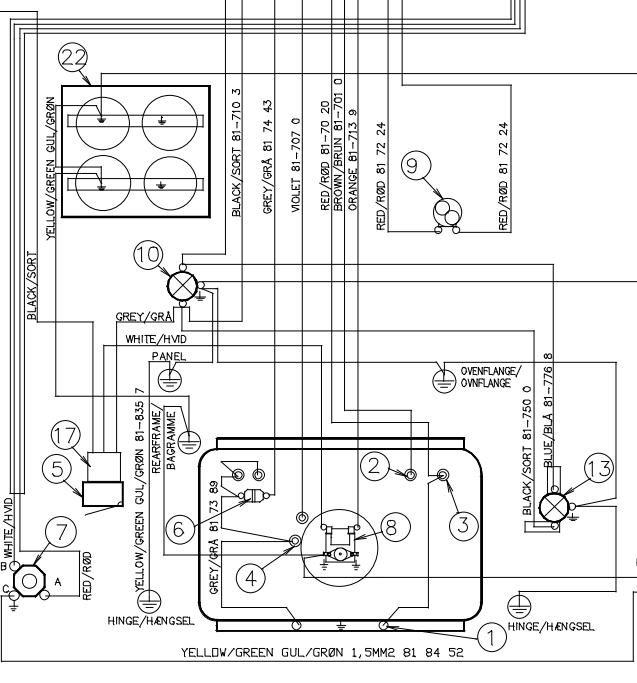
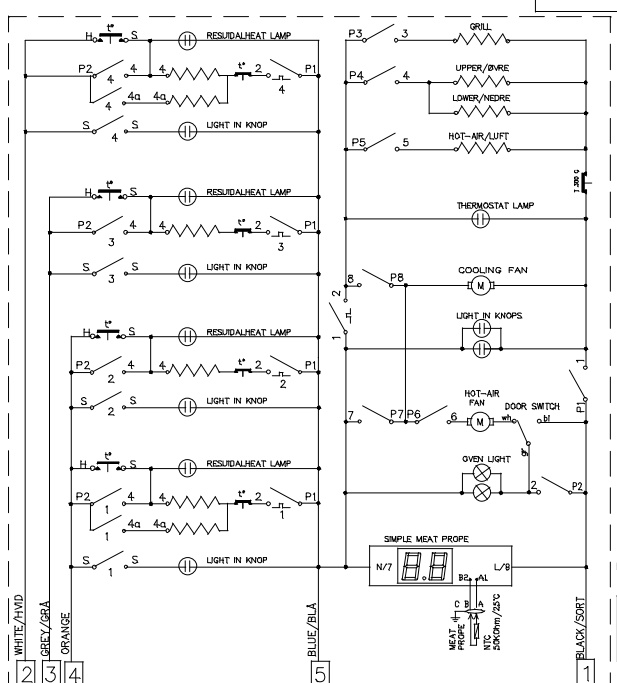
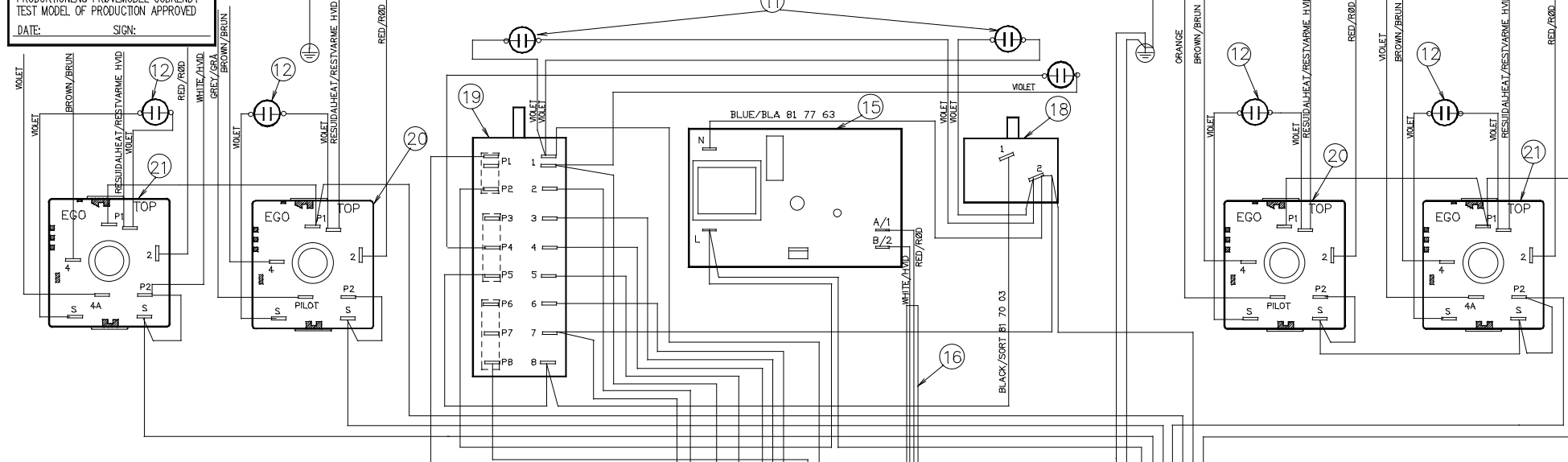


PRODUKTIONENS PRØVEMODEL GODKENDT
 TEST MODEL OF PRODUCTION APPROVED
 DATE: _____ SIGN: _____

CONNECTIONPLATE FOR SWITCHES /
 JORDINGSPLADE



POS ANT	GENSTAND	MATERIALE
24		
23		
22	1 TOPPLATE DIAGRAM/OVERPLADE DIAGRAM	90 53 63
21	2 ENERGY.REG./SUMMERSTAT 2 KREDS RøHS 230V	
20	2 ENERGY.REG./SUMMERSTAT ENKEL 230V RøHS	
19	1 SWITCH F. HETAIDOVEN/AFRYDER LUFDTOWN KL.A	
18	1 OVEN THERMOSTAT/TERMOSTAT 320 GR	
17	1 WIRESET DØRSWITCH	
16	1 WIRESET MEAT PROBE	
15	1 SIMPLE MEAT PROBE DISPLAY 230V	
14	1 TERMINAL STRIP/KLEMRØRKE RøHS 6 PØLS SWAP	
13	1 OVEN AMP STRIP/OVN AMP STRIP P.B. 25V 230V	
12	4 CONTROLLAMP/SKALAMPSET 230V (SØFT)	
11	1 CONTROLLAMP/SKALAMPSET 230V (SØFT.AEG)	
10	1 OVEN LAMP TOP/DØN LAMP TOP 25V 230V	
9	1 COOLING FAN/KØLEMDTOR 230V P-SYSTEM RøHS	
8	1 FAN HETAID/VÆTTER MES MEG202 230V RøHS	
7	1 JACK FOR MEAT PROBE/JACKBØRNING STEGSPYD	
6	1 THERMUSE/THERMISKRING 300 C	
5	1 MICROSWITCH/DØRSWITCH 16A/230V, SKIFTE	
4	1 HEATINGELEMENT RINGVARMELÆG RøHS 1350V 230V	
3	1 HEATINGELEMENT/VARMELÆG ØVRE RøHS 1000V 230V	
2	1 HEATINGELEMENT/ØVRE RøHS 2300V 230V	
1	1 HEATINGELEMENT/LØVERVARMELÆG RøHS 1000V 230V	

TYPE: CSC 400
 MODEL ELK4168-hv
 PRODUCT NO. 948 201 165

SWITCH F. HOTAIR OVEN CLASS A AFRYDER F. LUFDTOWN KLASSE A	1	2	3	4	5	6	7	8
P1 P2 P3 P4 P5 P6 P7 P8								
0	X	X	X	X	X	X	X	X
1 3D HOT-AIR	X	X	X	X	X	X	X	X
2 TOP/BOTTOM HEAT	X	X	X	X	X	X	X	X
3 2D HOT-AIR ECONDMIC	X	X	X	X	X	X	X	X
4 FAN + GRILL	X	X	X	X	X	X	X	X
5 GRILL	X	X	X	X	X	X	X	X

WIRINGSET/LEDNINGSSÆT : 325 80 57 10

Model omdr./ 948201138 tilføjet (RøHS) rev. B	HH	PB	2005-12-14
MODIFICATIONS	SIGNATURE	REQUEST	DATE

MATERIAL	WEIGHT	DESIGN USERS	REPLACES NO
			325 90 21 42
TREATMENT		DKK	DERIVED FROM
			SUPPLY SPECIFICATIONS
DESIGN OWNER	DRN	CHD	PB
DKK	HH	APPR.	2006-09-28

Electrolux
HOME PRODUCTS DENMARK

MODEL: GENSTAND: SCALE: --:--
 TITLE: FUTURA COOKER CERAMIC
 FUTURA KERAMISK KOMFUR
 NUMBER: 325 90 21 65 REV: A