

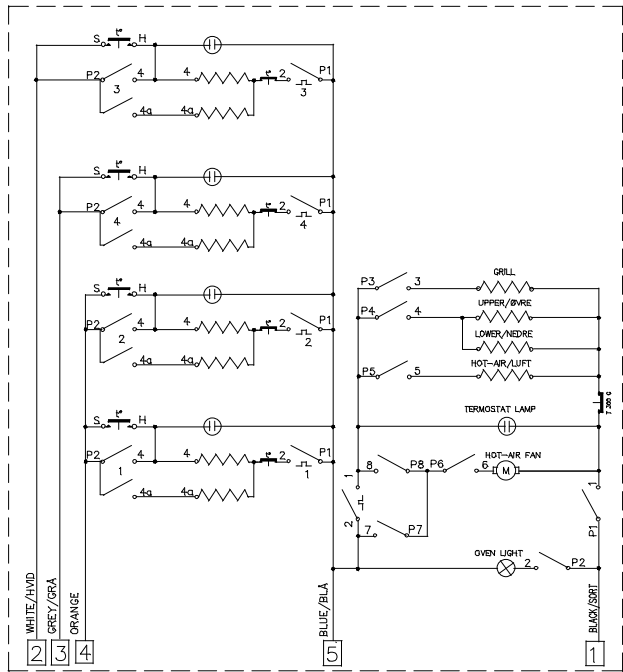
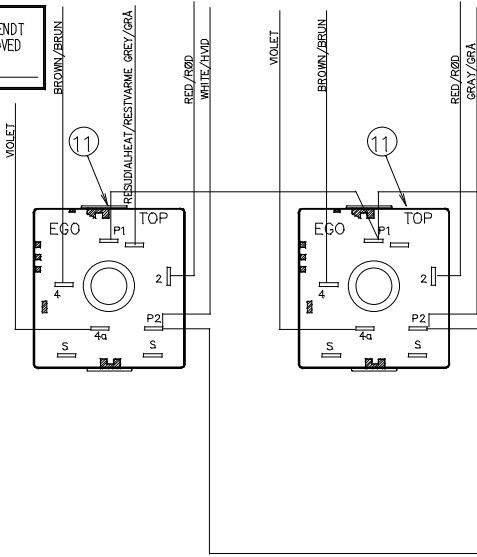
This drawing contains confidential information and is the property of Electrolux A/S. It is not to be distributed or handed to a third party or otherwise made available to any person outside ELECTROLUX HOME PRODUCTS FREDERIKIA which is responsible for the drawing.

Items shown in this drawing must not contain substances classified as "harmful" or "restrictive" according to the Electrolux Group Restricted Materials List (see www.electrolux.com). The use of such substances must conform with applicable laws. These lists are based on legislation and on Electrolux requirements.

Critical dimensions which must be under capability
Visible surfaces
Draft angles (not shown):

GENERAL TOLERANCES
ANGLES —
LENGTHS AND DIAMETERS —
1

PRODUKTIONENS PRØVEMODEL GODKENDT
TEST MODEL OF PRODUCTION APPROVED
DATE: _____ SIGN: _____



TYPE: CSC400

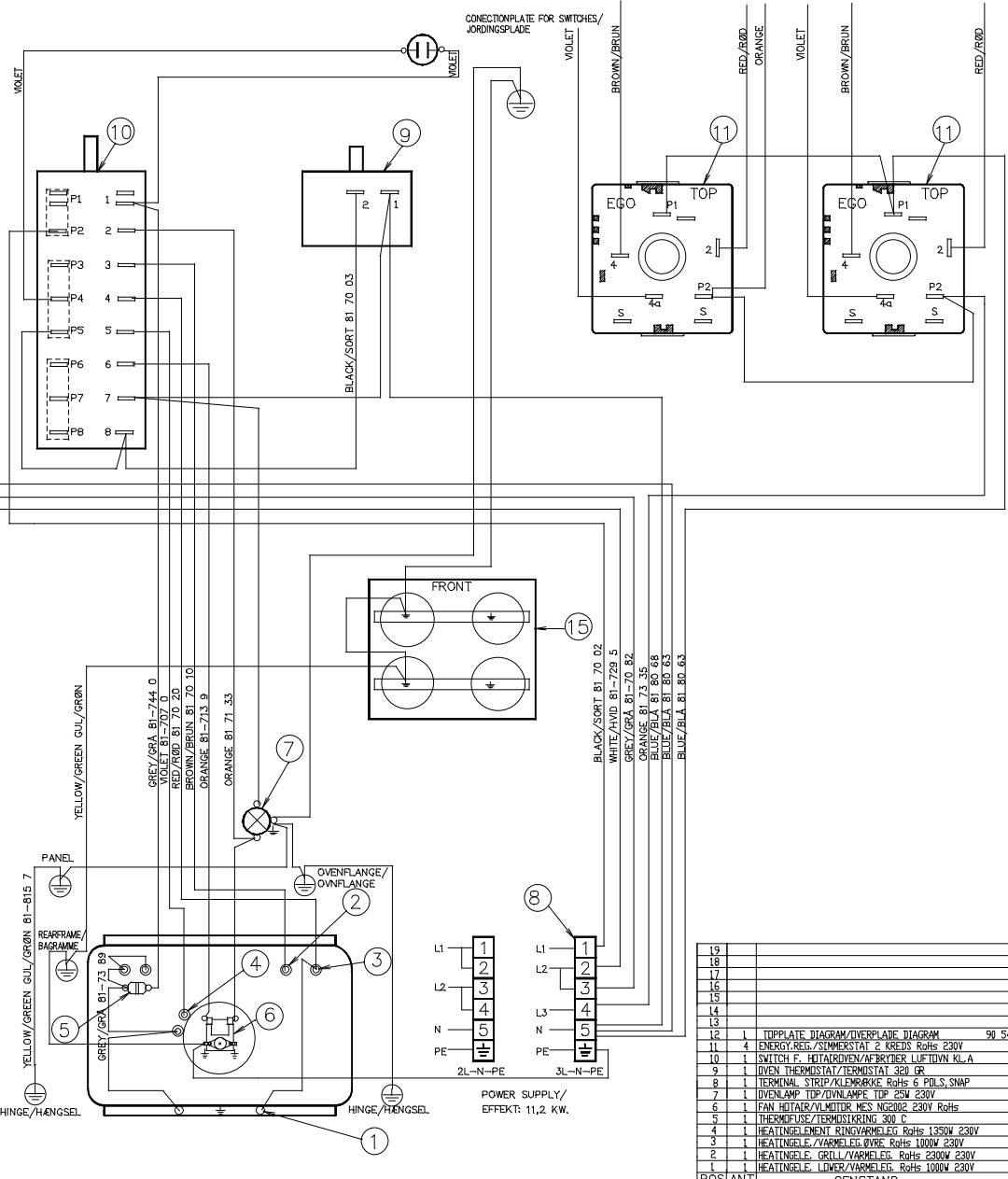
MODEL	PRODUCT NO.
ELK1870-hv	948.201.157

SWITCH F. HOTAIR OVEN CLASS A
AFBRYDER F. LUFTOVN KLASSE A

	1	2	3	4	5	6	7	8
	P1	P2	P3	P4	P5	P6	P7	P8
HOT-AIR	0	X	X	X	X	X	X	X
TOP/BOTTOM HEAT	2	X	X	X	X	X	X	X
2D HOT-AIR ECONOMIC	3	X	X	X	X	X	X	X
FAN + GRILL	4	X	X	X	X	X	X	X
GRILL	5	X	X	X	X	X	X	X

WIRINGSET/LEDNINGSSÆT PANEL: 325 80 56 80

MODIFICATIONS	DATE	SIGNATURE	REQUEST	DATE
ORANGE WIRE NO. CHANGED/ORANGE LEDNING ÆNDRET REV. B	2006-11-05	HH	PB	
FIRST EDITION/FØRSTE UDGAVE REV. A	2006-09-27	HH	PB	



NO.	DESCRIPTION	QUANTITY	UNIT
1	HEATINGELE. GRILL/VARMELEG. Røhs 100W 230V	1	
2	HEATINGELE. VARMELÆG Ø10R Røhs 100W 230V	1	
3	TERMINAL STRIP/KLEMME Røhs 6 PULS, SNAP	1	
4	OVEN THERMISTAT/TERMISTAT 300 Ω	1	
5	THERMIFUSE/TERMISTKRING 300 C	1	
6	FAN HÖTÄLR/VÄLMÖR. MESS NG2002 230V Røhs	1	
7	OVENLAMP TOP/ÖVNLANPE TOP 25W 230V	1	
8	TERMINAL STRIP/KLEMME Røhs 6 PULS, SNAP	1	
9	OVEN THERMISTAT/TERMISTAT 300 Ω	1	
10	SWITCH F. HÖTÄLRÖVN/AFBRYDER LUFTOVN KL. A	1	
11	ENERGY REG./SIMMERSTAT 2 KREDS Røhs 230V	1	
12	TOPPLATE DIAGRAM/ÖVERPLATE DIAGRAM	90 54 24	

MATERIAL	—	DESIGN USER	DKK	SCALE	—; —
TREATMENT	—	DESIGN NO.	325 90 21 31	REPLACES NO.	325 90 21 31
DESIGN OWNER	DKK	DERIVED FROM	—	DERIVED FROM NO.	—
DATE	2006-09-27	SUPPLY SPECIFICATIONS	—	SUPPLY SPECIFICATIONS NO.	—
CHD	PB	TITLE COOKER CERAMIC KERAMISK KOMFUR			
APPR.		NUMBER 325 90 21 61			
Electrolux HOME PRODUCTS DENMARK				REV B	