

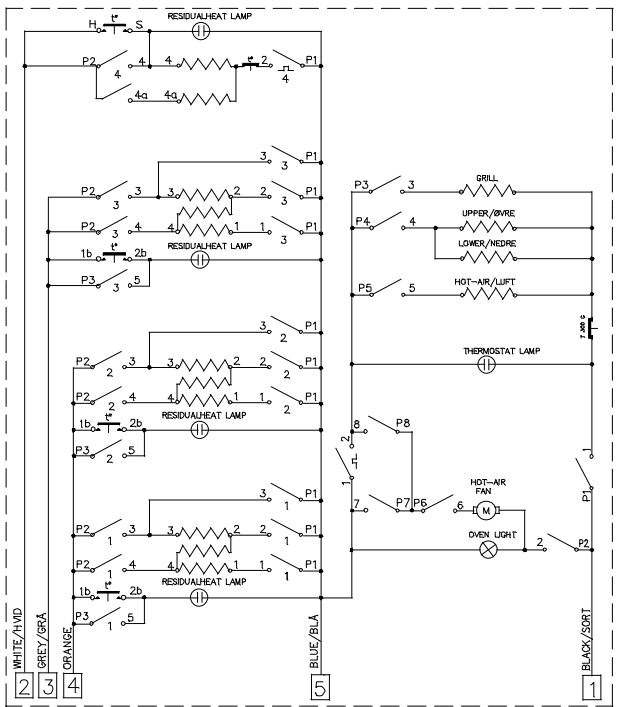
This drawing contains confidential information and is the property of ELECTROLUX HOME PRODUCTS FABRIKORA A/S. It is not to be distributed outside the company or handed to a third party or otherwise used without the prior written consent of the company. Blueprints of this drawing are not to be made for the drawing.

Items shown in this drawing must not contain substances classified as "harmful" or "restricted" according to the Electrolux Group Restricted Materials List (see www.electrolux.com) and to the applicable national and international regulations. These lists are based on regulations and on Electrolux requirements.

Critical dimensions which must be under capability
Visible surfaces
Draft angles (not shown):

THEORETICAL FLAT AREA
DEVELOPED FLAT AREA
GENERAL TOLERANCES
ANGLES
LENGTHS AND DIMENSIONS

PRODUKTIONENS PRØVEMODEL GODKENDT
TEST MODEL OF PRODUCTION APPROVED
DATE: SIGN:



TYPE: CSC400

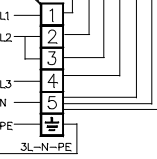
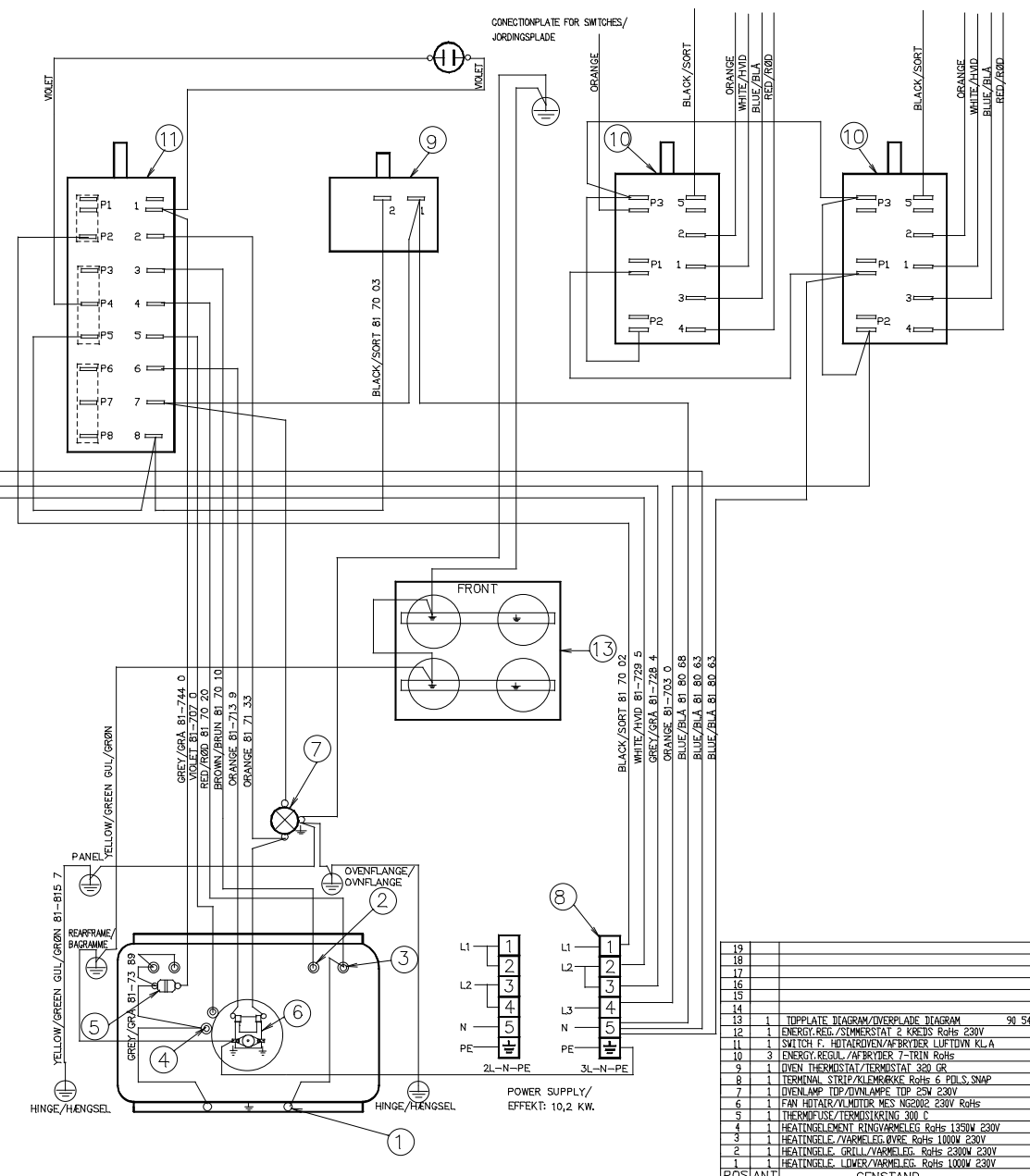
MODEL	PRODUCT NO.
ELK1840-hv	948.201.155
ELK1209-hv	948.201.156

SWITCH F. HOTAIR OVEN CLASS A
AFBRYDER F. LUFTOVN KLASSE A

	1	2	3	4	5	6	7	8
	P1	P2	P3	P4	P5	P6	P7	P8
3D HOT-AIR	1	X	X	X	X	X	X	X
TOP/BOTTOM HEAT	2	X	X	X	X	X	X	X
2D HOT-AIR ECONOMIC	3	X	X	X	X	X	X	X
FAN + GRILL	4	X	X	X	X	X	X	X
GRILL	5	X	X	X	X	X	X	X

WIRINGSET/LEDNINGSSÆT PANEL: 325 80 56 70

NO.	DESCRIPTION	DATE	BY	CHKD	DATE
1	ORANGE WIRE NO. CHANGED/ORANGE LEDNING ÆNDRET REV. B	2006-11-05	HH	PB	
2	FIRST EDITION/FØRSTE UDGAVE REV. A	2006-09-27	HH	PB	



POS	ANT	GENSTAND
19		
18		
17		
16		
15		
14	1	TOPPLATE/PLATEGRAM/ØVERPLADE/PLATEGRAM 90 54 24
13	1	ENERGY.REG./SØMMERSTAT 2 KREDS RøHS 230V
12	1	SWITCH F. HØTALROVEN/AFBRYDER LUFTOVN KLASSE A
11	3	ENERGY.REGUL./AFBRYDER 7-TRIN RøHS
9	1	OVN THERMOSTAT/TERMOSTAT 300 GR
8	1	THERMAL SWITCH/KØLEBRYDER RøHS 6 PLS SNAP
7	1	OVNLAMP TOP/ØVNLAMPE TOP 25W 230V
6	1	FAN HØTALR/VILMOTOR MESH NG2002 230V RøHS
5	1	THERMIFUSE/TERMISTKIRING 300 C
4	1	HEATINGELEMENT RINGVÆRMELEG RøHS 1350W 230V
3	1	HEATINGELEMENT VÆRMELEG ØVER RøHS 1000W 230V
2	1	HEATINGELEMENT GRILL/VÆRMELEG RøHS 230W 230V
1	1	HEATINGELEMENT ØVER/VÆRMELEG RøHS 1000W 230V

MATERIAL	DESIGN USERS	SCALE	---
TREATMENT	DKK	REPLACES NO.	325 80 21 30
DESIGN OWNER	HH	DERIVED FROM	
DKK	HH	SUPPLY SPECIFICATIONS	
CHD	PB	DATE	2006-09-27
APPR.		TITLE	COOKER CERAMIC KERAMISK KOMFUR
		NUMBER	325 90 21 60
HOME PRODUCTS DENMARK		REV	B