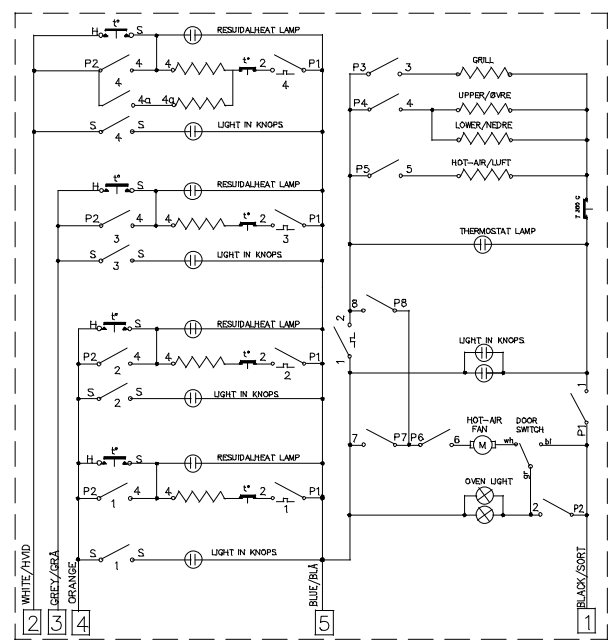
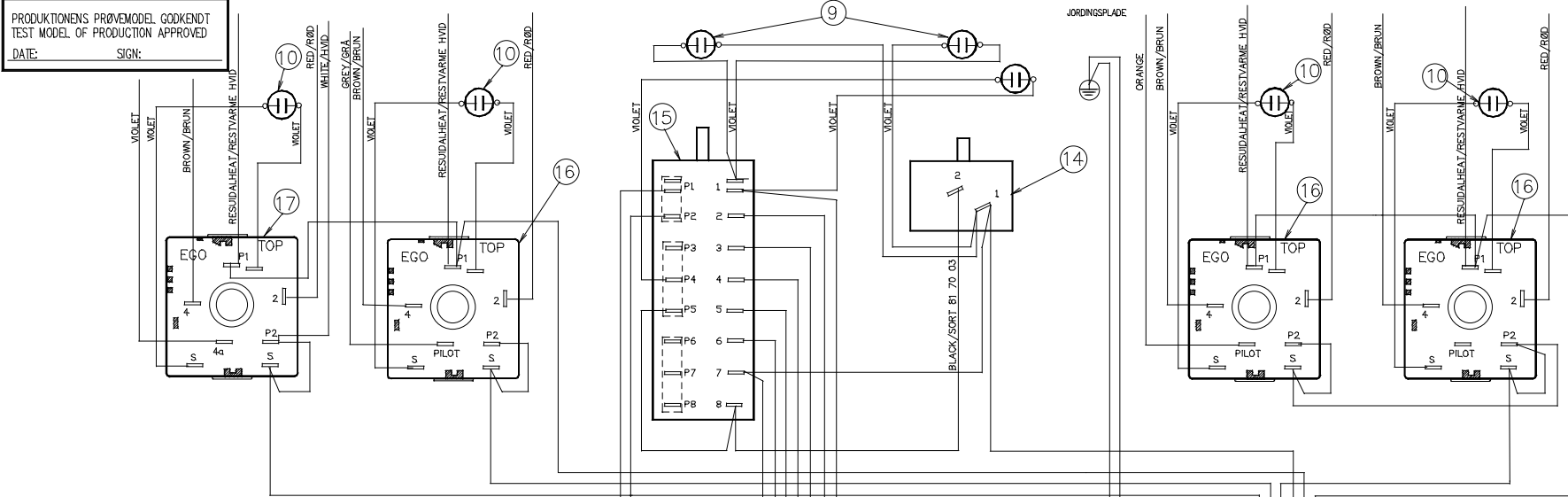
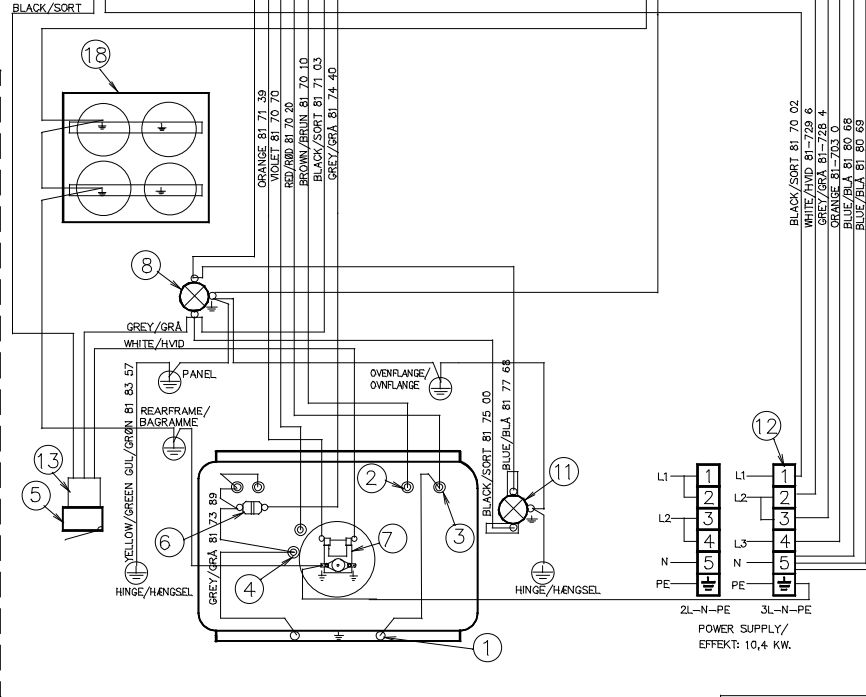


PRODUKTIONENS PRØVEMODEL GODKENDT
 TEST MODEL OF PRODUCTION APPROVED
 DATE: SIGN:



TYPE: CSC 400	
MODEL	PRODUCT NO.
ELK1213-hv	948 201 153

SWITCH F. HOTAIR OVEN CLASS A AFBRYDER F. LUFTOVN KLASSE A		1	2	3	4	5	6	7	8
		P1	P2	P3	P4	P5	P6	P7	P8
3D HOT-AIR		X	X	X	X	X	X	X	X
TOP/BOTTOM HEAT		X	X	X	X	X	X	X	X
2D HOT-AIR ECONOMIC		X	X	X	X	X	X	X	X
FAN + GRILL		X	X	X	X	X	X	X	X
GRILL		X	X	X	X	X	X	X	X



WIRINGSET/LEDNINGSSÆT PANEL: 325 80 56 50

POS	MODIFICATIONS	SIGNATURE	REQUEST	DATE
	FIRST EDITION/FØRSTE UDGAVE REV. A	HF1	PB	2006-09-25

POS	ANT	GENSTAND	MATERIALE
22			
21			
20			
19			
18	1	TOPPLATE DIAGRAM/OVERPLADE DIAGRAM	90 53 62
17	1	ENERGY REG./SIMMERSTAT 2 KREDS RøHS 230V	
16	3	ENERGY REG./SIMMERSTAT ENKEL 230V RøHS	
15	1	SWITCH F. HØT/LØFTOVN/AFBRYDER LUFTOVN KL.A	
14	1	OVN THERMOSTAT/TERMOSTAT 320 GR	
13	1	VÆRESET DØRSWITCH	
12	1	TERMINAL STRIP/KLEMRÅKKE RøHS 6 PLS, SWAP	
11	1	OVN LAMP SIDE/OVN LAMPE SIDE RJB 25V 230V	
10	4	CONTROL LAMP/SKAL LAMPE 230V (SOFT)	
9	1	CONTROL LAMP/SKAL LAMPE SET 230V (SOFT)	
8	1	OVN LAMP TOP/OVN LAMPE TOP 25V 230V	
7	1	FAN HØT/LØFT/VILMØTR MESS NG2002 230V RøHS	
6	1	THERMIFUSE/TERMISTKRING 300 C	
5	1	MICROSWITCH/DØRSWITCH 16A/250V, SKIFTE	
4	1	HEATING ELEMENT RØD/VARMELEGG RøHS 1300W 230V	
3	1	HEATING ELEMENT VÆRMELEGG ØVRE RøHS 1000W 230V	
2	1	HEATING ELEMENT GRILL/VÆRMELEGG RøHS 230W 230V	
1	1	HEATING ELEMENT LØNER/VÆRMELEGG RøHS 1000W 230V	

MATERIAL		SCALE		---	
TREATMENT		DESIGN USERS		REPLACES No 325 90 21 15	
DESIGN OWNER		WEIGHT		DERIVED FROM No	
DKK		DKK		SUPPLY SPECIFICATIONS	
DATE		TITLE		FUTURA COOKER CERAMIC	
2006-09-25		FUTURA KERAMISK KOMFUR		-	
HOME PRODUCTS DENMARK		NUMBER		325 90 21 58	
		REV		A	