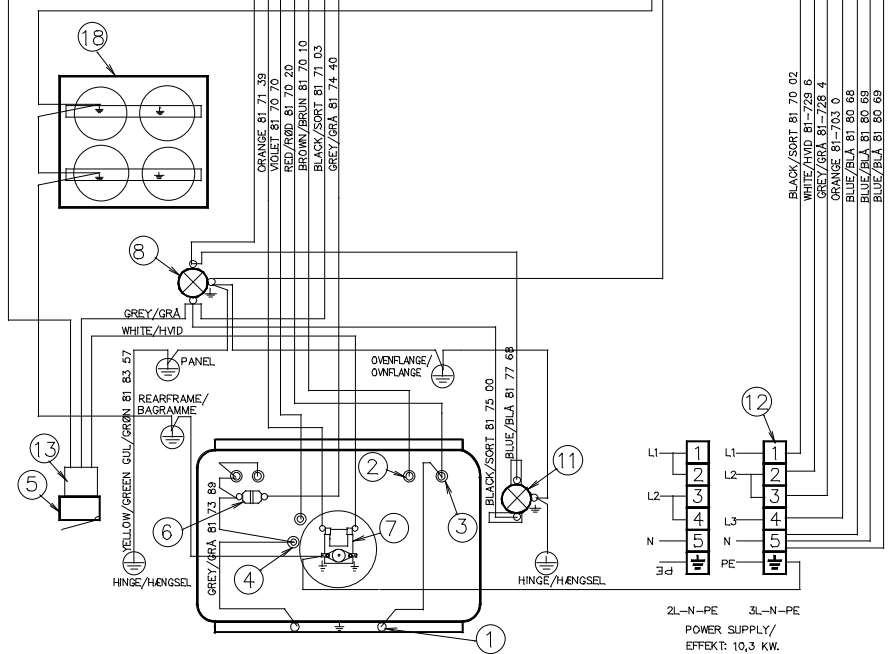
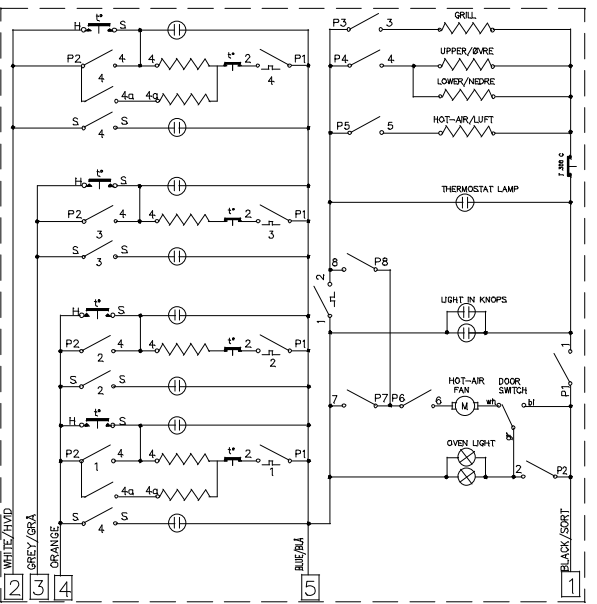
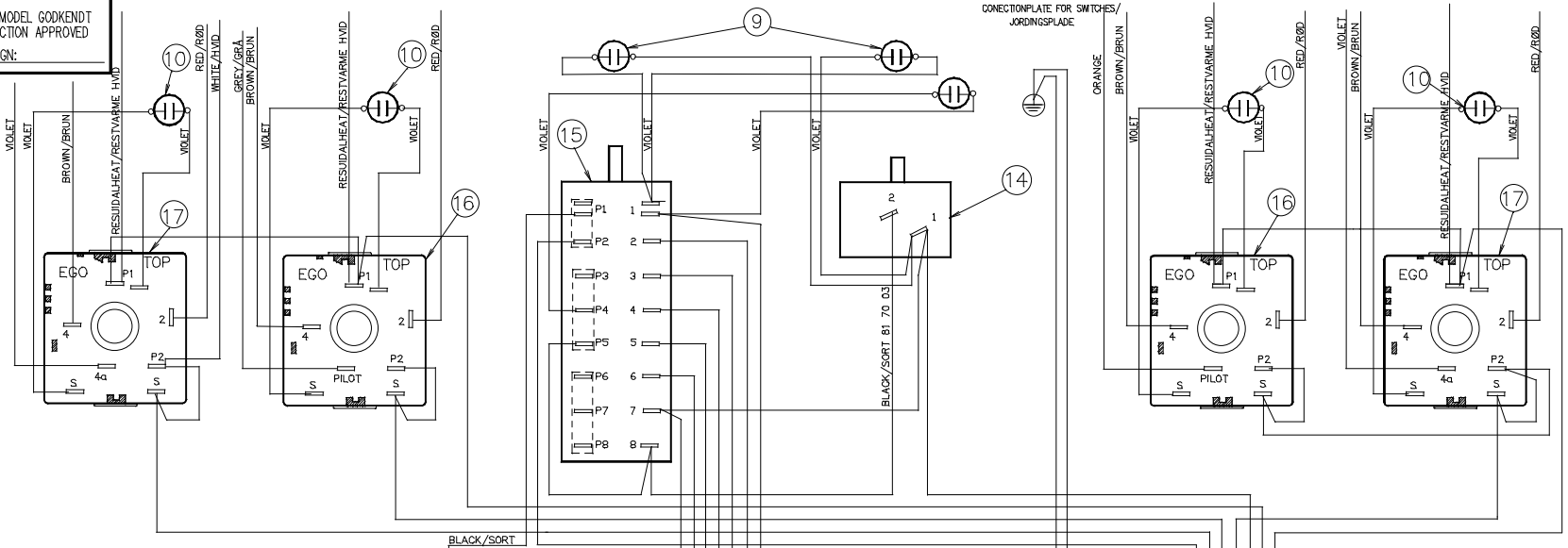


PRODUKTIONENS PRØVEMODEL GODKENDT
TEST MODEL OF PRODUCTION APPROVED
DATE: _____ SIGN: _____



POS	ANT	GENSTAND	MATERIALE
22			
21			
20			
19			
18	1	TOPPLATE DIAGRAM/OVERPLADE DIAGRAM	90 53 63
17	2	ENERGY REG./SUMMERSTAT 2 KREDS RoHS 230V	
16	2	ENERGY REG./SUMMERSTAT ENKEL 230V RoHS	
15	1	SWITCH F. HOTAIRDOVEN/AFBRYDER LUFTOVN K.L.A	
14	1	DIVEN THERMISTAT/TERMISTAT 320 GR	
13	1	WROSET JODRSWITCH	
12	1	TERMINAL STRIK/KLEBERKLE RoHS 6 PINS SNAP	
11	1	DIVENLAMP SIDE/DIVNLAMPE SIDE 3UB 25V 230V	
10	4	CONTROLAMP/SKALALAMPE 230V (SDT)	
9	1	CONTROLAMP/SKALALAMPE 230V (SDT)	
8	1	DIVENLAMP TOP/DIVNLAMPE TOP 25V 230V	
7	1	FAN HOTAIR/AFVINTER HES M2692 230V RoHS	
6	1	THERMIFUSE/TERMISTIKRING 300 C	
5	1	MICROSWITCH/DKRSWITCH 16A/230V, SKIFTE	
4	1	HEATINGELEMENT RINGVARMELG RoHS 135W 230V	
3	1	HEATINGELEMENT VARMELG ØVRE RoHS 1000W 230V	
2	1	HEATINGELEMENT GRILL/VARMELG RoHS 230V 230V	
1	1	HEATINGELEMENT LØVER/VARMELG RoHS 1000W 230V	

TYPE: CSC 400

MODEL	PRODUCT NO.
ELK1223-hv	948 201 152

	1	2	3	4	5	6	7	8
SWITCH F. HOTAIR OVEN CLASS A								
AFBRYDER F. LUFTOVN KLASSE A	P1	P2	P3	P4	P5	P6	P7	P8
3D HOT-AIR	1	X	X	X	X	X	X	X
TOP/BOTTOM HEAT	2	X	X	X	X	X	X	X
2D HOT-AIR ECONOMIC	3	X	X	X	X	X	X	X
FAN + GRILL	4	X	X	X	X	X	X	X
GRILL	5	X	X	X	X	X	X	X

WIRINGSET/LEDNINGSSÆT PANEL: 325 80 56 50

POS	MODIFICATION	SIGNATURE	REQUEST	DATE
	FIRST EDITION / FØRSTE UDGAVE REV. A	HH	PB	2006-09-25

POWER SUPPLY /
EFFEKT: 10,3 KW.

2L-N-PE 3L-N-PE

Electrolux
HOME PRODUCTS DENMARK

MODEL	SCALE	DESIGN USERS	REPLACES
	1:1	DKK	325 90 21 14
DESIGN OWNER	DRN	CHD	PB
DKK	HH	DATE	2006-09-25
TITLE			FUTURA COOKER CERAMIC FUTURA KERAMISK KOMFUR
NUMBER	325 90 21 57	REV	A