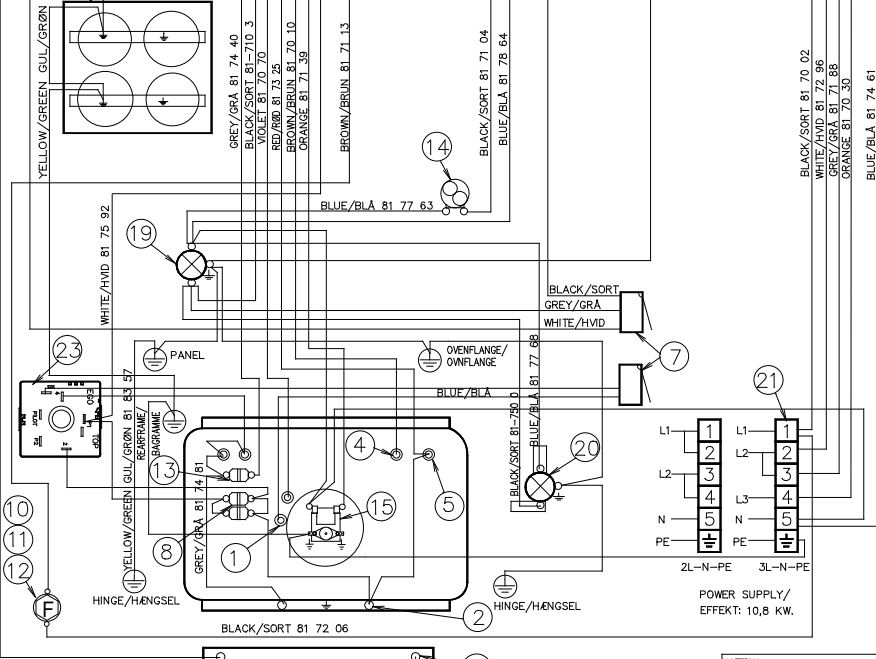
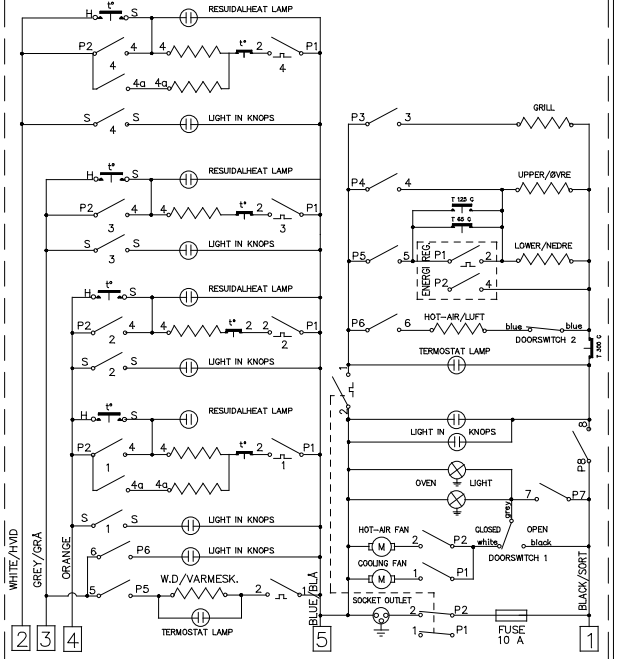
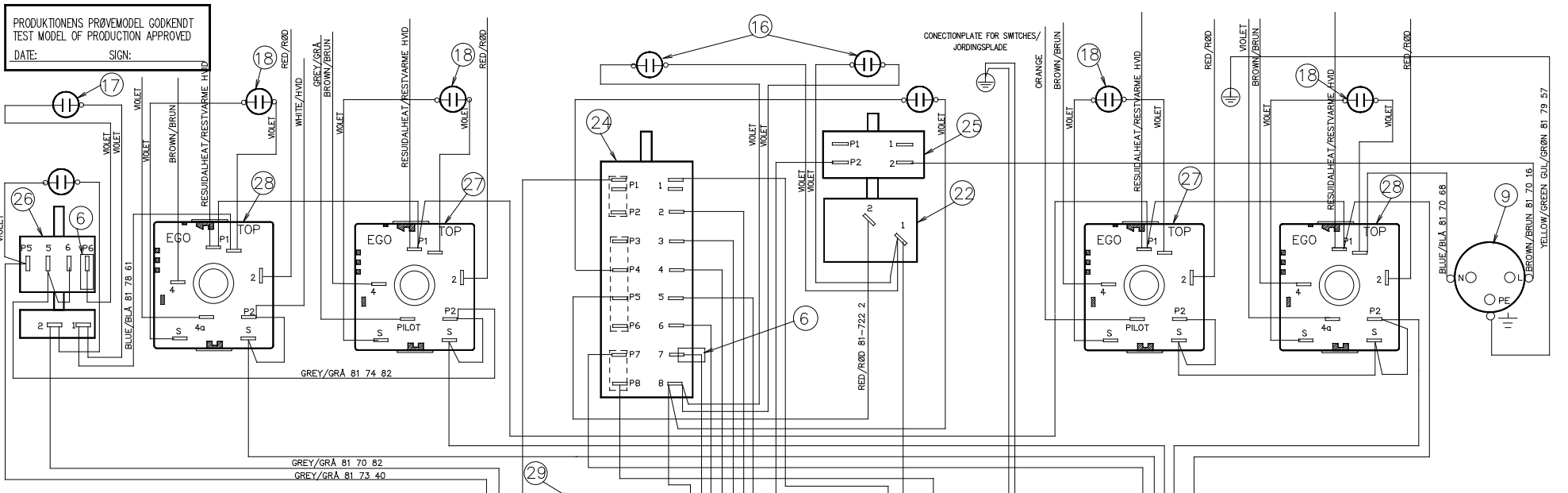


This drawing contains confidential information and is to be used only for the production of the product without the express permission of the Electrolux Group or handed to a third party or otherwise used and it is to be destroyed after the production of the product. ELECTROLUX HOME PRODUCTS FREDERIGA which is responsible for the drawing.

Items shown in this drawing must not contain substances classified as "banned" or "restricted" according to the Electrolux Group Restricted Materials List (see www.electrolux.com) and to the business sector specific amendments. These lists are based on legislation and on Electrolux requirements.

Critical dimensions which must be under capability  
 Visible surfaces  
 Draft angles (not shown):

GENERAL TOLERANCES  
 ANGLES: —  
 LENGTHS AND DIAMETERS: —



29	1	TOPPLATE DIAGRAM/OVERPLADE DIAGRAM	90 53 58
28	2	ENERGY.REG./SIMMERSTAT 2 KREDS 230V	
27	2	ENERGY.REG./SIMMERSTAT ENKEL 230V	
26	1	TERMOSTAT F. DRAWER/TERMOSTAT F.V SKUFFE	
25	1	SWITCH/AFBRYDER FÜR STIKKONTAKT	
24	1	SWITCH F. HØTAROVEN/AFBRYDER LUFTOVN (ØKD)	
23	1	ENERGY.REG./SIMMERSTAT KL.A 230V	
22	1	OVEN THERMOSTAT/TERMOSTAT 320 GR	
21	1	TERMINAL STRIP/KLEMMERKE 6 POLS SNAP (1-5)	
20	1	OVENLAMP SIDE/OVN LAMPE SIDE BJB 25W 230V	
19	4	OVENLAMP TOP/OVN LAMPE TOP 25W 230V	
18	4	CONTROL LAMP/SKALALAMPE 230V (SDFT)	
17	1	CONTROL LAMP/SKALALAMPE 230V (SDFT AEG)	
16	1	CONTROL LAMP/SKALALAMPESET 230V (SDFT)	
15	1	FAN HØTAR/VL MITTER MES NG0002 230V	
14	1	COOLING FAN/KØLEMITTER 230V P-SYSTEM	
13	1	THERMOUSE/TERMOSKJED 300 C	
12	1	FUSEHOLDER/SIKRINGSHOLDER	
11	1	CAP FÜR FUSE/KAPPE FÜR SIKRINGSHOLDER	
10	1	FUSE/SMELTESTIKRING 10 A	
9	1	SDUKRET INUT-LET/STIKKONTAKT 10 A	
8	1	TERMOSTAT 65/30 ENERGIKL. A	
7	1	MICROSWITCH/SWITCH LYS/BLÅSER (140C)	
6	2	INSULATIONSCHWITZ/TYLLE F. LASBAR SKD	
5	1	HEATINGELEMENT UPPER/VARMELEGE ØVRE 1000W 230V	
4	1	HEATINGELEMENT GRILL/VARMELEGE GRILL 2300W 230V	
3	1	HEATINGELEMENT LOWER/VARMELEGE NEDRE 300W 230V	
2	1	HEATINGELEMENT RING/VARMELEGE 1350W 230V	
1	1	HEATINGELEMENT RING/VARMELEGE 1350W 230V	

TYPE: CSC 400

MODEL	PRODUCT NO.
ELK4666-hv	948 201 124

SWITCH F. HØTAR OVEN CLASS A AFBRYDER F. LUFTOVN KLASSE A

	1	2	3	4	5	6	7	8
P1	P2	P3	P4	P5	P6	P7	P8	
HOT-AIR	X	X	X	X	X	X	X	X
TOP/BOTTOM HEAT	2	X	X	X	X	X	X	X
TOP/BOTTOM ECONOMIC	3	X	X	X	X	X	X	X
FAN + GRILL	4	X	X	X	X	X	X	X
GRILL	5	X	X	X	X	X	X	X

WIRINGSET/LEDNINGSSÆT: 325 80 47 50

POS	MODIFICATIONS	SIGNATURE	REQUEST	DATE

MATERIAL	—	MODEL	—	SCALE	—
TREATMENT	—	DESIGN USERS	—	REPLACES	—
DESIGN OWNER	DKK	WEIGHT	—	DERIVED FROM	—
DRN	HH	CHD	PB	DATE	2005-06-06
APPR	—	NUMBER	325 90 21 47	SUPPLY SPECIFICATIONS	—
			TITLE: FUTURA COOKER CERAMIC FUTURA KERAMISK KOMFUR		
HOME PRODUCTS DENMARK			REV 1		