

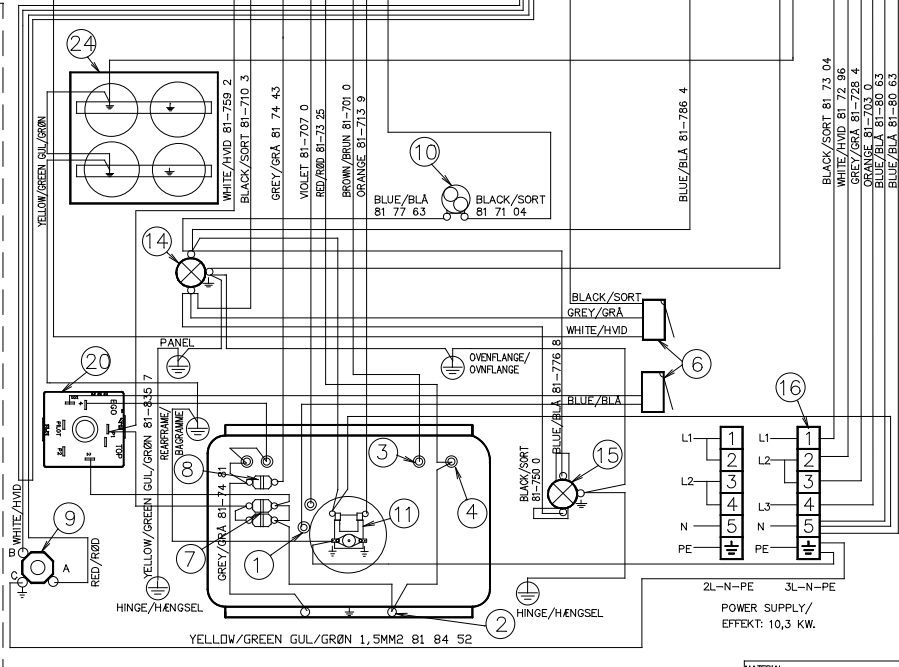
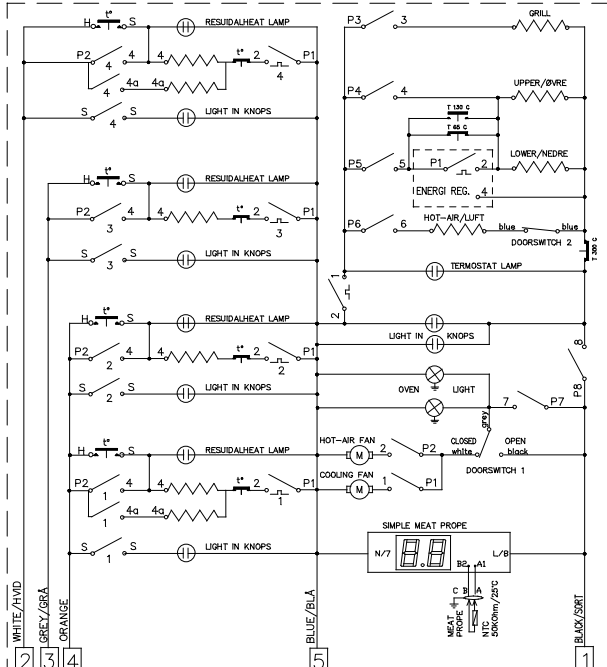
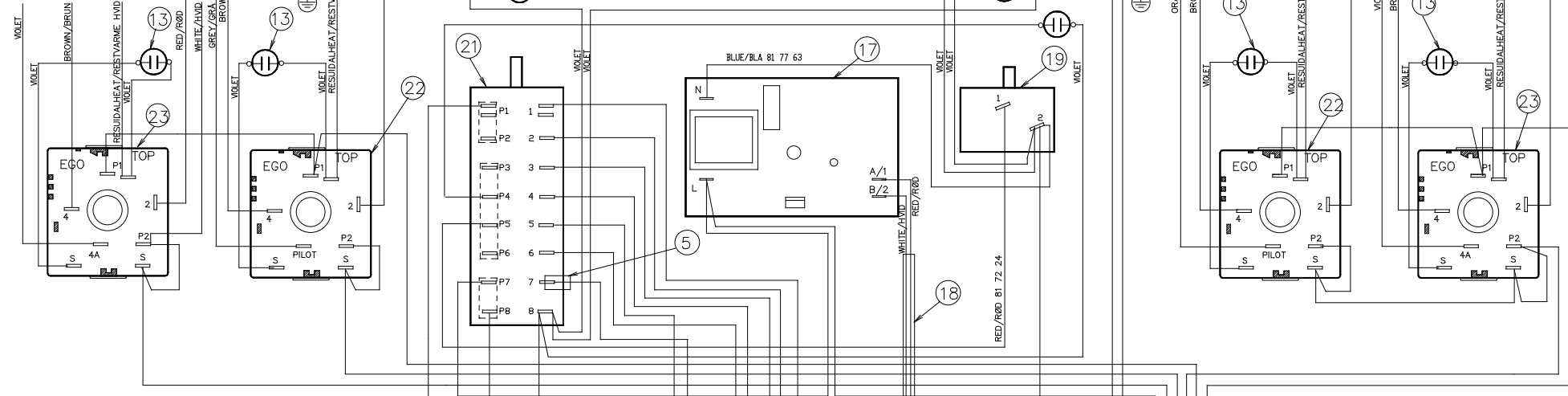
This drawing contains confidential information and is the property of ELECTROLUX HOME PRODUCTS FREDERIKIA A/S. It is not to be reproduced, copied, disseminated or handed to a third party or otherwise used without the prior written consent of Electrolux. Electrolux Home Products FREDERIKIA A/S is not responsible for the drawing.

Items shown in this drawing must not contain substances classified as "banned" or "restricted" according to the Electrolux Group Restricted Materials List (see www.electrolux.com) and to the Business Sector specific amendments. These lists are based on legislation and on Electrolux requirements.

Critical dimensions which must be under capability
 Visible surfaces
 Draft angles (not shown):

GENERAL TOLERANCES
 ANGLES AND DIMETERS
 LENGTHS AND DIAMETERS

PRODUKTIONENS PRØVEMODEL GODKENDT
 TEST MODEL OF PRODUCTION APPROVED
 DATE: _____ SIGN: _____



POS	ANT	GENSTAND	MATERIALE
24	1	TOPPLATE DIAGRAM/OVERPLADE DIAGRAM	90 53 63
23	2	ENERGY.REG./SIMMERSTAT 2 KREDS 230V	
22	2	ENERGY.REG./SIMMERSTAT ENKEL 230V	
21	1	SWITCH F. HOTAIRDØVEN/AFBRYDER LUFTOVN (ØKD)	
20	1	ENERGY.REG./SIMMERSTAT KL.A 230V	
19	1	OVEN THERMIST/TERMOSTAT 320 GR	
18	1	WIRESET MEAT PROBE	
17	1	SIMPLE MEAT PROBE DISPLAY 230V	
16	1	TERMINAL STRIP/KLEMMEKASSE 6 PØLS SNAP (1-5)	
15	1	OVENLAMP STRØM/LAMPEN STRØM BJB 25V 230V	
14	1	OVENLAMP TOP/DØNNLAMPEN TOP 25V 230V	
13	4	CONTROLLAMP/SKALAMPEN 230V (SDFT AEG)	
12	1	CONTROLLAMP/SKALAMPESÆT 230V (SDFT AEG)	
11	1	FAN HOTAIR/VMOTOR MES NG2002 230V	
10	1	COOLING FAN/VEJLEMITOR 230V P-SYSTEM	
9	1	JACK FIR HEAT PROBE/JACKBØRSNING STEGESPYD	
8	1	THERMIST/TERMOSTAT 300 C	
7	1	TERMOSTAT 65/30 ENERGIKL. A	
6	1	MICROSWITCH/SWITCH LYS/BLÆSER(140.C)	
5	1	INSULATION COVER/TYLLE F. LASAR SKID	
4	1	HEATINGELEMENT UPPER/VARMELEG ØVRE 1000W 230V	
3	1	HEATINGELEMENT LOWER/VARMELEG ØVRE 1000W 230V	
2	1	HEATINGELEMENT RINGVARMEELEMENT 1350W 230V	
1	1	HEATINGELEMENT RINGVARMEELEMENT 1350W 230V	

TYPE: CSC 400

MODEL	PRODUCT NO.
ELK4168-hv	948 201 119

SWITCH F. HOTAIR OVEN CLASS A
 AFBRYDER F. LUFTOVN KLASSE A

	1	2	3	4	5	6	7	8
	P1	P2	P3	P4	P5	P6	P7	P8
HOT-AIR	1	X	X	X	X	X	X	X
TOP/BOTTOM HEAT	2	X	X	X	X	X	X	X
TOP/BOTTOM ECONOMIC	3	X	X	X	X	X	X	X
FAN + GRILL	4	X	X	X	X	X	X	X
GRILL	5	X	X	X	X	X	X	X

WIRINGSET/LEDNINGSSÆT : 325 80 47 00

POS	MODIFICATIONS	SIGNATURE	REQUEST	DATE

MATERIAL	DESIGN USERS	SCALE	---
TREATMENT	WEIGHT	REPLACES	---
DESIGN OWNER	DATE	DERIVED FROM	---
DKK	2005-06-07	SUPPLY SPECIFICATIONS	---
		TITLE: FUTURA COOKER CERAMIC FUTURA KERAMISK KOMFUR	
HOME PRODUCTS DENMARK		NUMBER	325 90 21 42
		REV	1