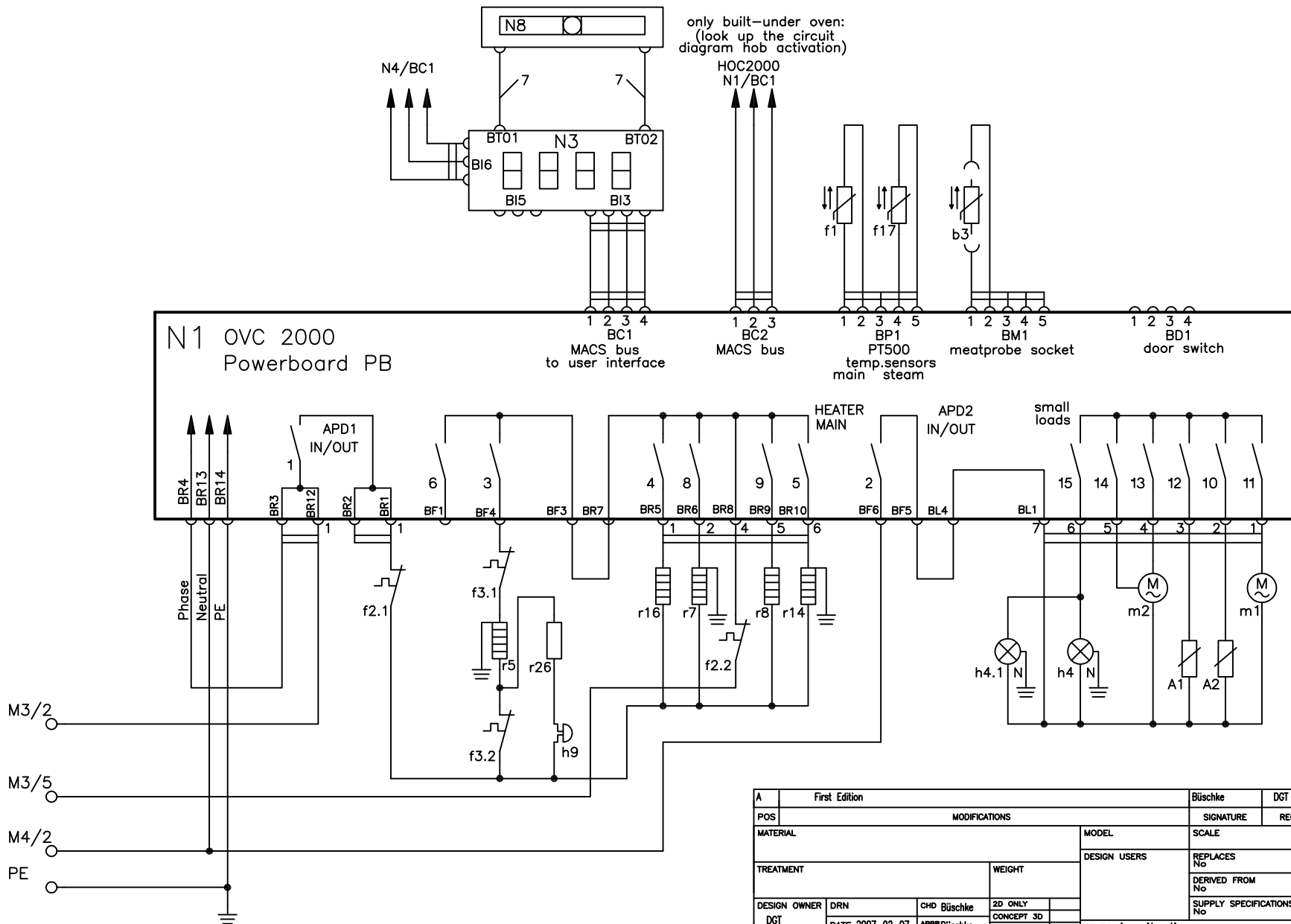


Items shown in this drawing must not contain substances that are banned according to Directive, 2002/95/EC, the RoHS Directive (Lead, Cadmium, Mercury, hexavalent Chromium, PBB and PBDE), or substances classified as "Banned" or "Restricted" according to the Electrolux Restricted Materials List.

GENERAL TOLERANCES
 ANGLES
 LENGTHS AND DIAMETERS

1 2 3 4 5 6 7 8



only built-under oven:
(look up the circuit diagram Hob activation)

A		First Edition		Büschke	DGT 47823	2007-02-07
POS	MODIFICATIONS				SIGNATURE	REQUEST
MATERIAL			MODEL		SCALE	
TREATMENT			DESIGN USERS		REPLACES No	
DESIGN OWNER			DRN		DERIVED FROM No	
DGT			DATE 2007-02-07		SUPPLY SPECIFICATIONS No	
CHD Büschke			2D ONLY		TITLE circuit diagram	
APPR Büschke			CONCEPT 3D		Schaltplan	
			EXACT 3D		NUMBER 315 8727	
					REV A	
					SHEET 1/1	

VARIANT NUMBER	REPLACED NUMBER	POS.	MODEL	DESIGN USERS	CHANGES FROM THE BASE NUMBER