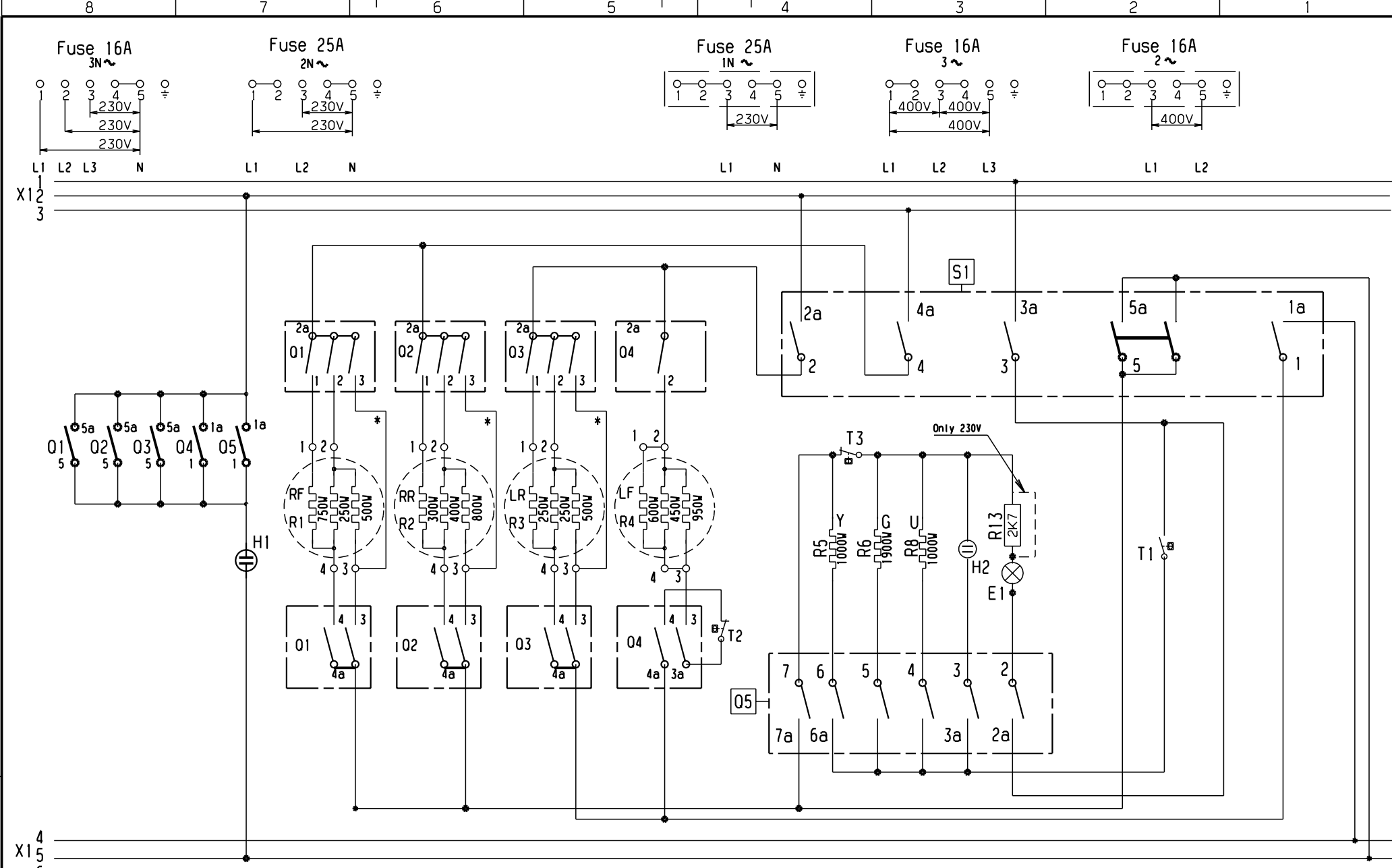


This drawing contains confidential information and is the property of Electrolux. Without the permission of Electrolux, it may not be copied, shown or handed to a third party or otherwise used, and it is to be returned promptly upon request to the person who issued it. The person who issues this drawing is responsible for its content.

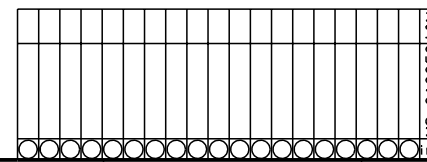
[2] Critical dimensions which must be under capability  
 SAFETY REQUIREMENT  
 Visible surfaces.  
 Draft angles (not shown):

THEORETICAL FLAT AREA  
 DEVELOPED FLAT AREA  
 GENERAL TOLERANCES  
 ANGLES  
 LENGTHS AND DIAMETERS



MATERIAL		MODEL		SCALE		EUROPEAN METHOD	
-		-		-			
TREATMENT		DESIGN USERS		REPLACES			
-		MO -		No -			
WEIGHT		DERIVED FROM		No			
-		-		-			
DESIGN OWNER		DRN		CHD		DATE	
MO		IAN		APPR		01-04-27	
TITLE		Principel diagram					
NUMBER		305 29 99 sh3					
REV		-					

\*Connection when knob is in position 2



31 MO 010058 IAN



REV -