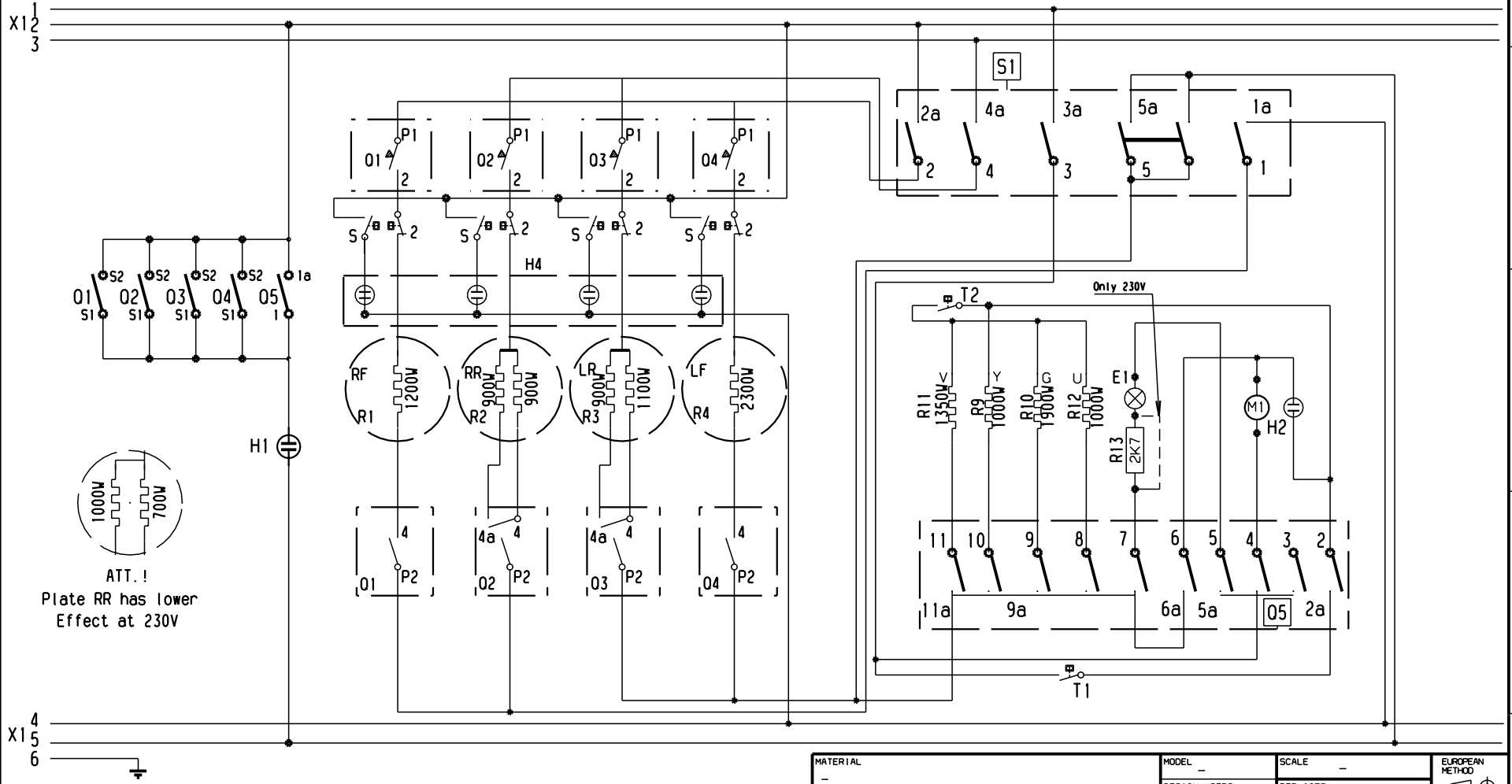
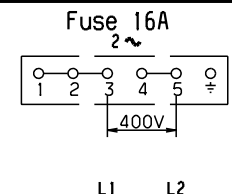
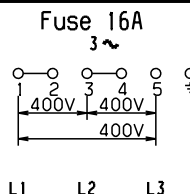
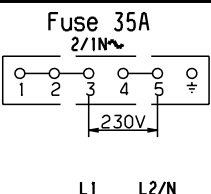
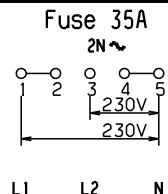
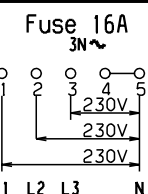


This drawing contains confidential information and is the property of Electrolux. Without the permission of Electrolux, it may not be copied, shown or handed to a third party or otherwise used, and it is to be returned promptly upon request to the person from whom it was obtained. The person who is responsible for the drawing.

[2] Critical dimensions which must be under capability SAFETY REQUIREMENT Visible surfaces: Draft angles (not shown):

THEORETICAL FLAT AREA DEVELOPED FLAT AREA GENERAL TOLERANCES ANGLES LENGTHS AND DIAMETERS



ATT. !
Plate RR has lower Effect at 230V

MO 01005556	MO 01002958
-------------	-------------

MATERIAL	DESIGN OWNER	DRN	CHD	DATE
-	MO	S. Ahl	-	01 03 06
TREATMENT	WEIGHT	APPR		
-	-	-		

MODEL	SCALE	EUROPEAN METHOD
-	-	REPLACES No -
DESIGN USERS	DERIVED FROM No -	SUPPLY SPECIFICATIONS No -
MO		



TITLE Principel diagram
NUMBER 305 29 97 sh3 REV A