

This drawing contains confidential information and is the property of without whose permission it may not be copied, shown or handed to a third party or otherwise used, and it is to be returned promptly upon request to the which is responsible for the drawing.

[2] Critical dimensions which must be under capability

SAFETY REQUIREMENT

Visible surfaces.
Draft angles (not shown):

THEORETICAL FLAT AREA

DEVELOPED FLAT AREA

GENERAL TOLERANCES
ANGLES

LENGTHS AND DIAMETERS

A3

8

7

6

5

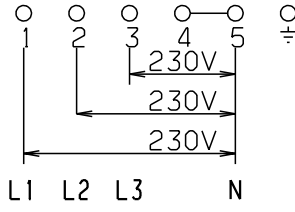
4

3

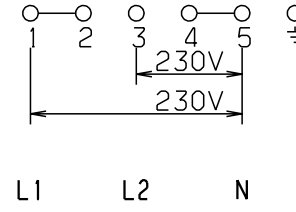
2

1

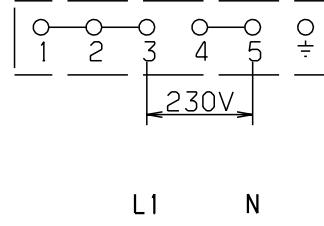
Fuse 16A
3N~



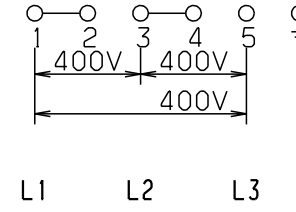
Fuse 25A
2N~



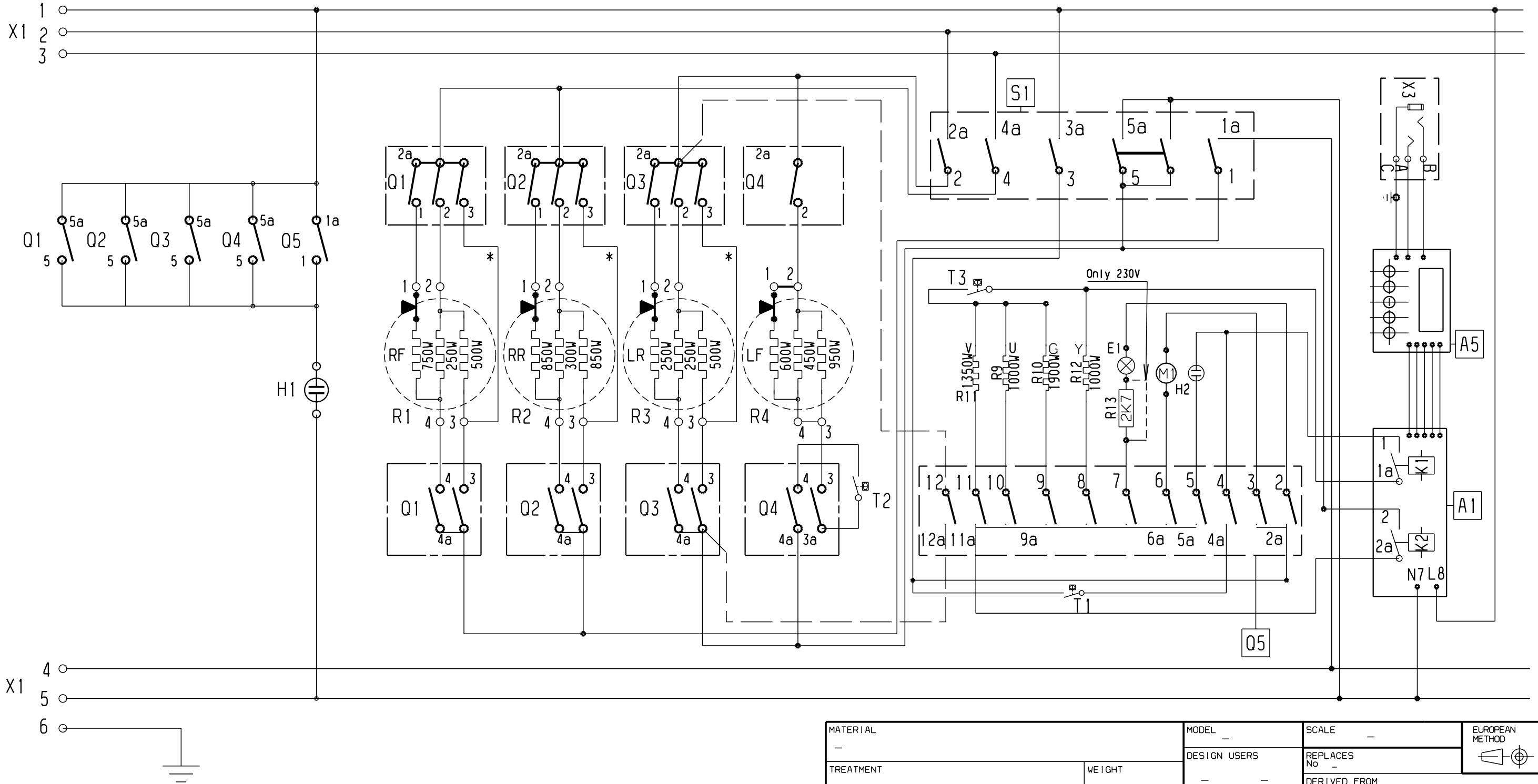
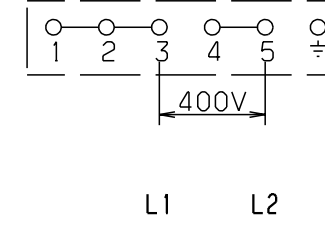
Fuse 25A
1N~



Fuse 16A
3~



Fuse 16A
2~



*Connection when knob is in position 2

| | |
|-------------|-------------|
| MO 0100495A | MO 0100335B |
| MO 0100495B | MO 0100335A |

| | | | | | | | |
|------------------|--|--------------|--|-----------------------|--|-----------------|--|
| MATERIAL | | MODEL | | SCALE | | EUROPEAN METHOD | |
| TREATMENT | | DESIGN USERS | | REPLACES | | No | |
| DESIGN OWNER DRN | | CHD | | DATE | | DERIVED FROM | |
| MO S. Ahl | | - | | 01-03-16 | | No | |
| APPR | | MO | | SUPPLY SPECIFICATIONS | | No | |

Electrolux

TITLE Principel diagram

NUMBER 305 29 96 sh3 REV A