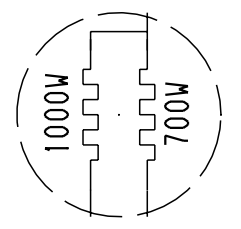
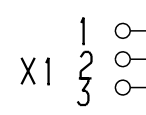
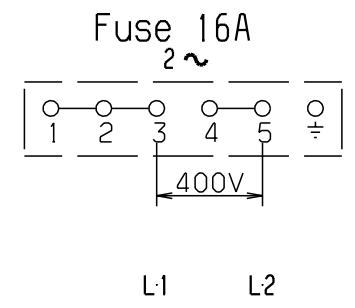
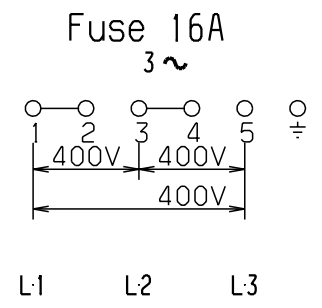
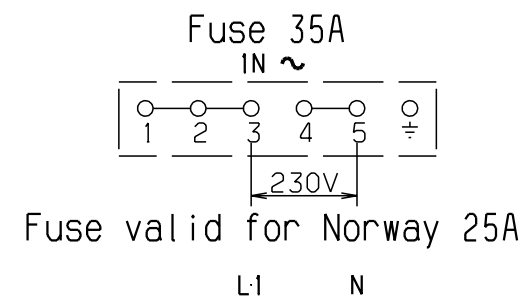
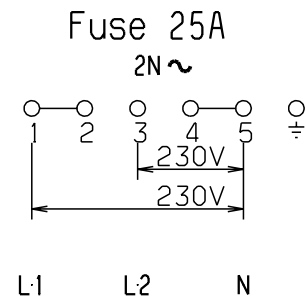
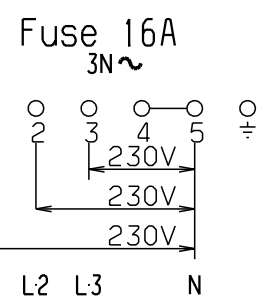


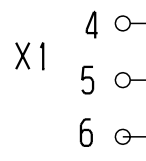
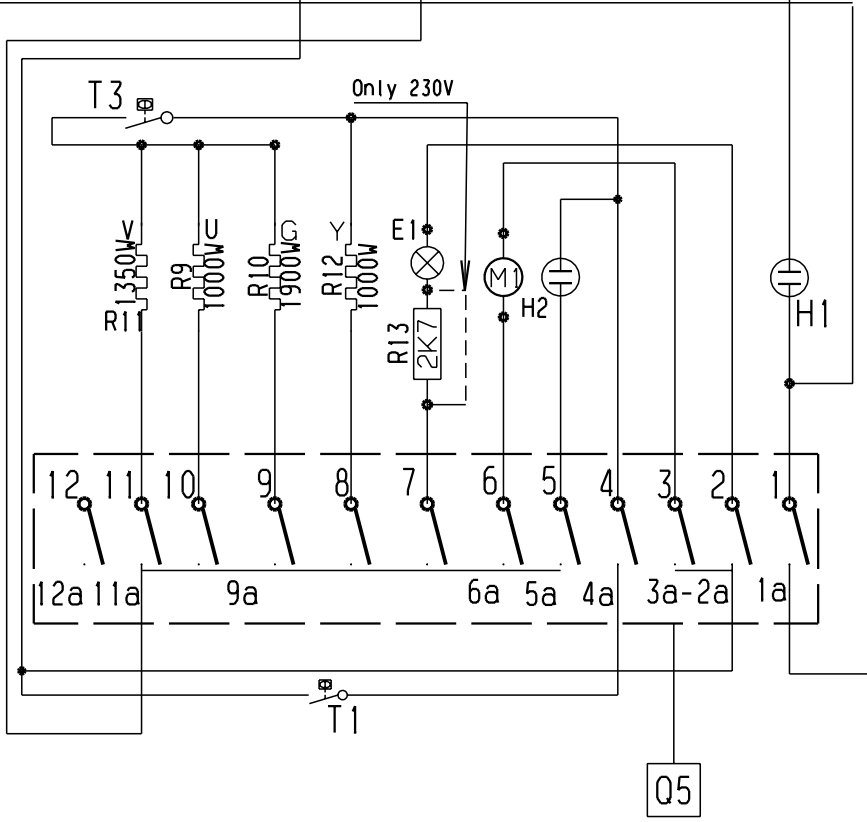
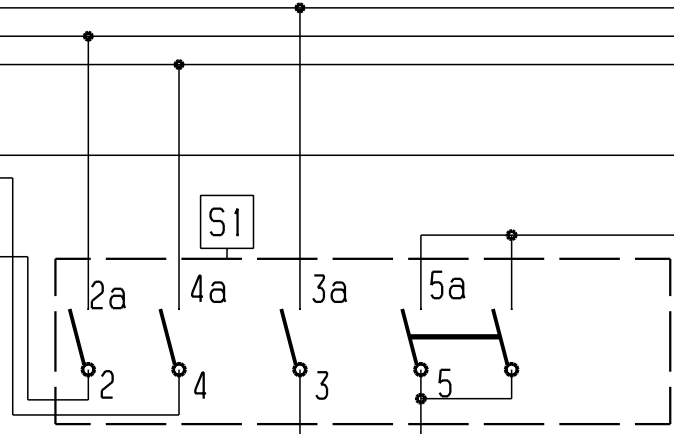
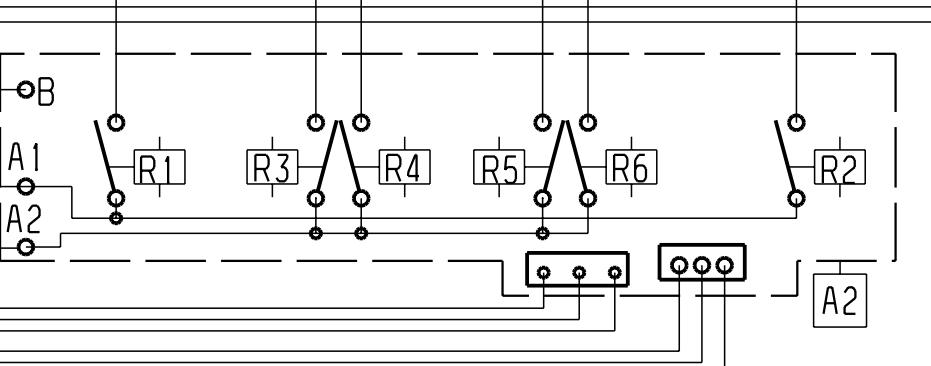
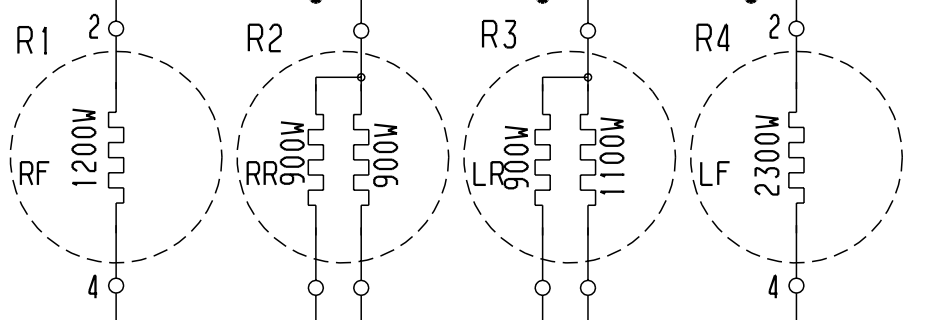
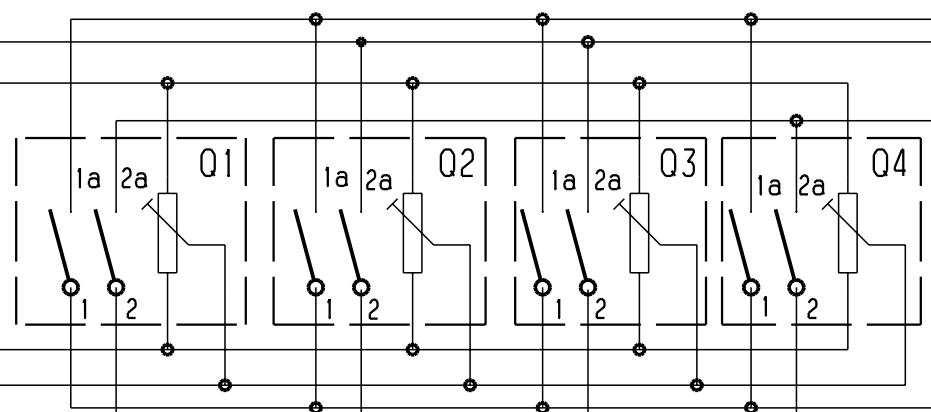
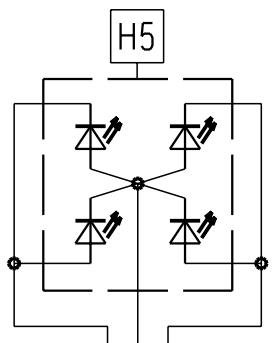
This drawing contains confidential information and is the property of Electrolux. Without the permission of Electrolux, it may not be copied, shown or handed to a third party or otherwise used, and it is to be returned promptly upon request to the person from whom it was obtained. The person who is responsible for the drawing.

[2] Critical dimensions which must be under capability SAFETY REQUIREMENT
 --- Visible surfaces.
 --- Draft angles (not shown):

THEORETICAL FLAT AREA
 DEVELOPED FLAT AREA
 GENERAL TOLERANCES
 ANGLES
 LENGTHS AND DIAMETERS



ATT. !
 Plate RR has lower Effect at 230V



From. tillv. 135. ska restvärmen indikeras även om funktionsbrytare står i "offläge".

MO 010087/sa	MO 010051/sa	MO 010030/sa
(B)	(A)	(A)

MATERIAL	-	DESIGN OWNER	DRN	CHD	-	DATE	01-03-08
TREATMENT	-	MO	S. Ahl	APPR	-		

MODEL	-	SCALE	-	EUROPEAN METHOD	
DESIGN USERS	-	REPLACES No	-	DERIVED FROM No	-
MO	-	SUPPLY SPECIFICATIONS No	-		



TITLE	Principel diagram		
NUMBER	305 29 95 sh3	REV	A