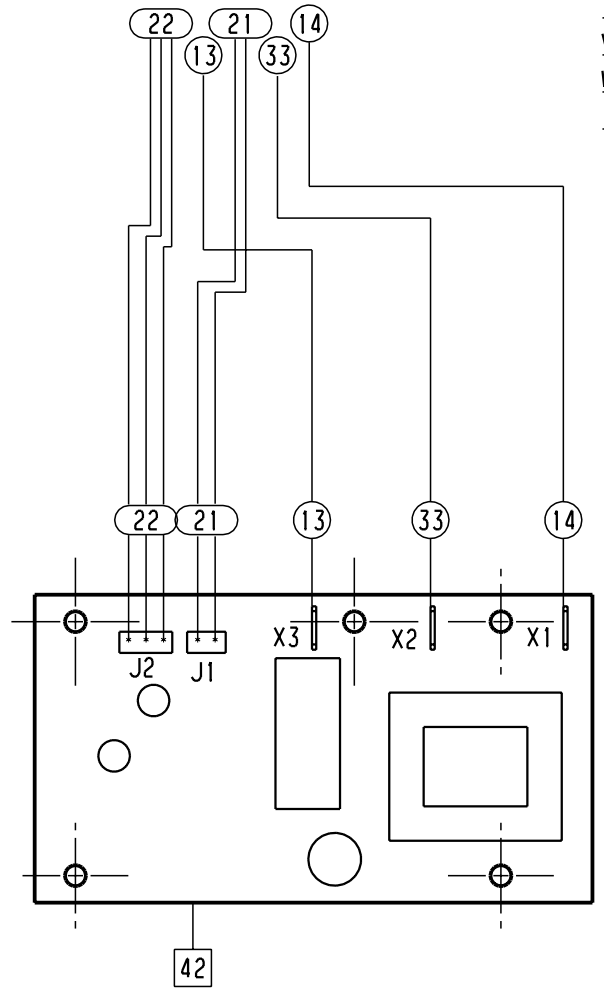
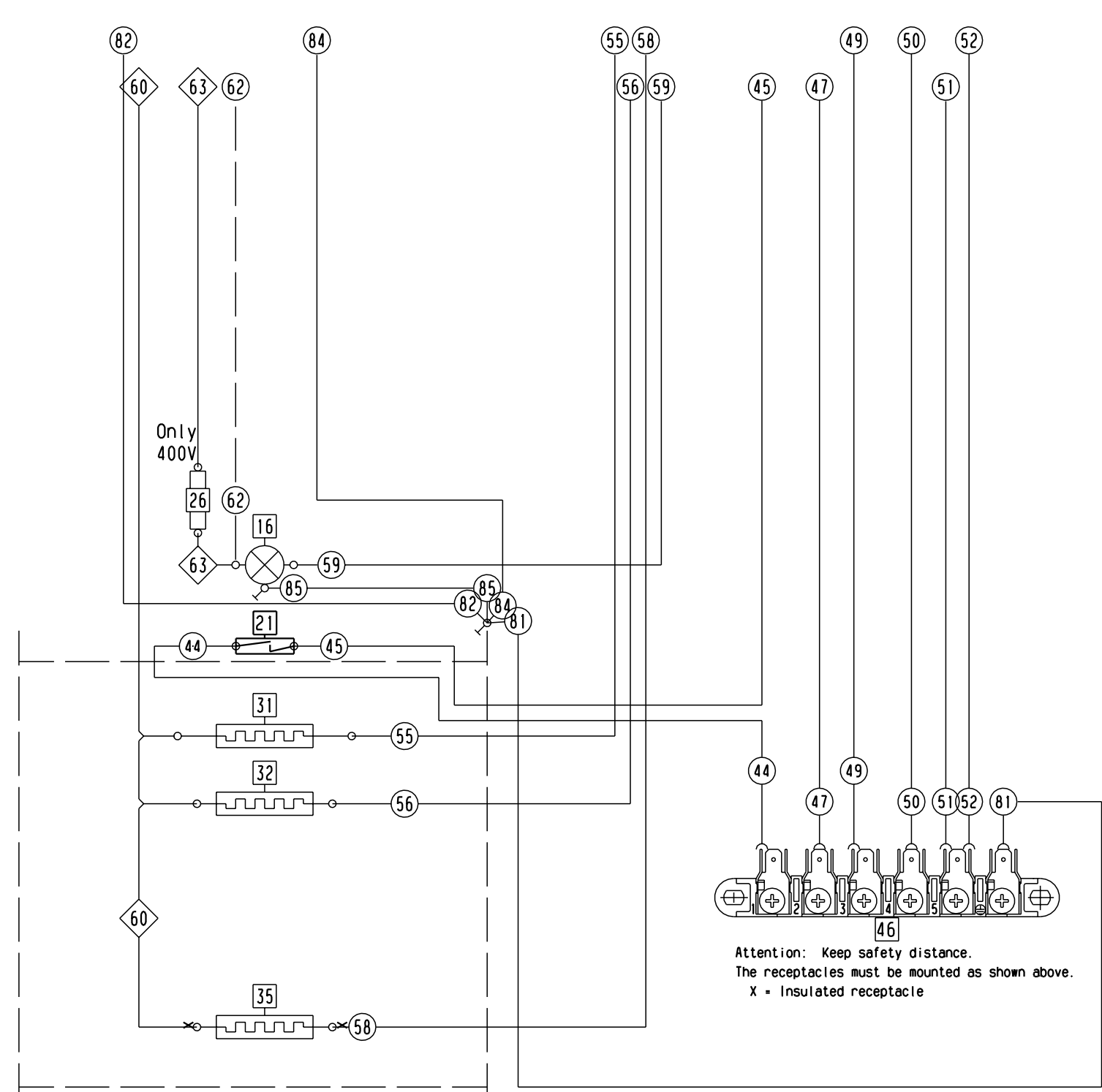


This drawing contains confidential information and is the property of Electrolux. It may not be copied, shown or handed to a third party or otherwise used, and it is to be returned promptly upon request to the person who issued it. The person who is responsible for the drawing.

[2] Critical dimensions which must be under capability SAFETY REQUIREMENT
 Visible surfaces.
 Draft angles (not shown):



Not.
 Wires between *asterisks* in table are included in terminalblock 305 04 70-39, -40 and -41.
 Valid for pos. 44, 47, 49, 50, 51, 52 and 81.
 Wires between (bracket) in table are included in hob assembled 305 01 62-XX and 305 01 63-XX.

Pos	Wire no.	Pos	Wire no.
1	305 18 12-08	46	305 18 09-82
2	305 18 12-09	47	*305 20 13-08*
3	305 18 12-10	48	-
4	305 18 12-11	49	*305 20 13-35*
5	305 18 12-08	50	*305 20 13-36*
6	305 18 12-09	51	*305 20 13-37*
7	305 18 12-10	52	*305 20 13-37*
8	305 18 12-11	53	305 18 09-82
9	305 18 12-12	54	305 18 09-64
10	305 18 12-13	55	305 18 09-38
11	305 18 12-14	56	305 18 09-84
12	305 18 12-15	57	-
13	305 18 12-03	58	305 18 14-24
14	305 20 08-01	59	305 18 09-30
15	-	60	305 20 28-02
16	-	61	-
17	305 18 09-64	62	305 18 09-30
18	305 18 09-64	63	305 20 06-01
19	-	64	-
20	305 18 75-08	65	-
21	305 17 66-01	66	-
22	305 17 67-01	67	-
23	305 18 09-64	68	-
24	305 18 09-64	69	-
25	-	70	-
26	305 18 75-08	71	-
27	-	72	-
28	305 18 09-64	73	-
29	305 18 09-64	74	-
30	305 18 09-64	75	-
31	305 18 09-97	76	-
32	305 18 66-05	77	-
33	305 18 09-60	78	-
34	-	79	-
35	305 18 09-64	80	-
36	305 18 09-64	81	*305 18 13-01*
37	-	82	(300 15 61-01)
38	-	83	305 18 13-01
39	305 20 13-30	84	305 18 13-02
40	305 20 13-25	85	305 18 13-06
41	305 20 13-25	86	-
42	305 20 13-25	87	-
43	305 18 09-64	88	-
44	*305 20 13-33*	89	-
45	305 18 09-85	90	-

Wires = ○
 Combined wires = ◇
 Con. with insulation = *
 Valid for 230V = -
 Excluded pos. 62 400V 305 29 92-02
 Excluded pos. 63 230V 305 29 92-01
 Not V Detail no

MO	S. Ahl	01-01-27
MO	S. Ahl	01-01-27

MATERIAL
 TREATMENT
 DESIGN OWNER DRN MO S. Ahl
 CHD - DATE 01-01-27
 APPR -
 WEIGHT
 TITLE Wiring diagram
 NUMBER 305 29 92 sh2
 Electrolux

SCALE	REPLACES NO	EUROPEAN METHOD
DESIGN USERS	DERIVED FROM NO	
MO	SUPPLY SPECIFICATIONS NO	
REV		
A		