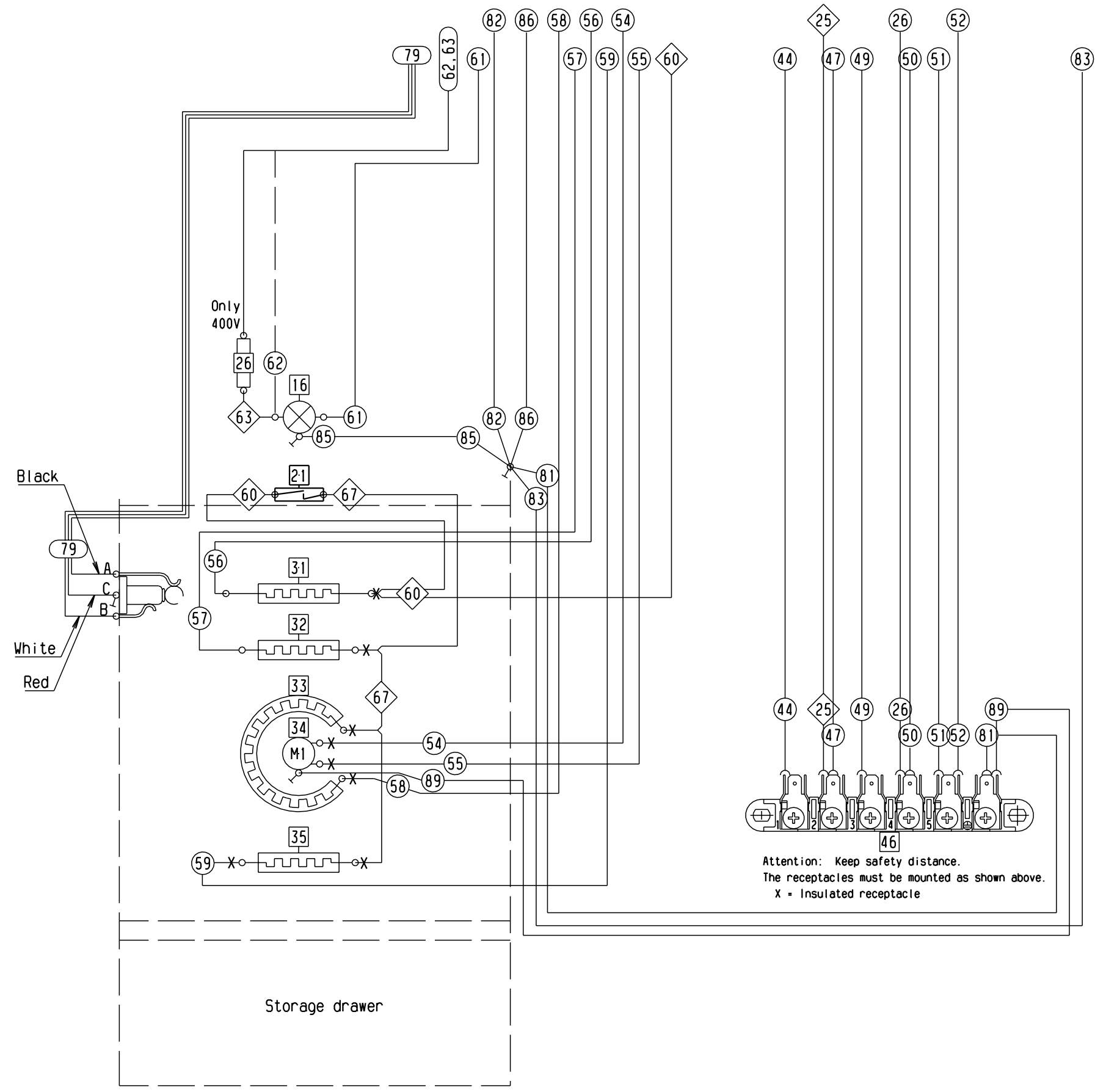


This drawing contains confidential information and is the property of Electrolux. It may not be copied, shown or handed to a third party or otherwise used, and it is to be returned promptly upon request to the person who issued it. The person who issues this drawing is responsible for its content.

[2] Critical dimensions which must be under capability SAFETY REQUIREMENT
 Visible surfaces:
 Draft angles (not shown):

Not.
 Wires between *asterisks* in table are included in terminalblock 305 04 70-39, -40 and -41.



Attention: Keep safety distance.
 The receptacles must be mounted as shown above.
 x = Insulated receptacle

Pos	Lednings nr	Pos	Lednings nr
1	305 18 09-14	46	305 18 09-93
2	305 18 09-14	47	*305 20 13-08*
3		48	305 18 09-81
4		49	*305 20 13-35*
5	305 18 09-08	50	*305 20 13-36*
6	305 18 09-08	51	*305 20 13-37*
7		52	*305 20 13-37*
8		53	-
9	305 18 09-16	54	305 18 14-50
10	305 18 09-16	55	305 28 02-07
11		56	305 18 09-51
12		57	305 18 09-99
13	305 18 09-32	58	305 28 02-11
14	305 18 09-32	59	305 28 02-10
15	-	60	305 18 66-07
16	-	61	305 18 09-36
17	305 28 41-02	62	305 18 09-36
18	305 28 41-02	63	305 20 06-02
19	-	64	-
20	-	65	-
21	305 18 09-97	66	-
22	305 18 14-01	67	305 28 33-02
23	305 18 09-93	68	-
24	-	69	-
25	(305 18 23-02)	70	-
26	Residual heat indc.	71	-
27	305 18 14-49	72	-
28	305 18 14-37	73	-
29	305 18 09-64	74	-
30	305 18 09-64	75	-
31	305 18 09-64	76	-
32	305 18 09-64	77	-
33	305 18 09-81	78	-
34	-	79	305 20 80-02
35	305 18 09-91	80	-
36	305 18 09-91	81	*305 18 13-01*
37	305 18 66-03	82	(305 18 13-01)
38	305 18 09-05	83	305 18 13-03
39	305 20 13-03	84	-
40	305 20 13-03	85	305 18 13-06
41	305 18 08-13	86	305 18 13-01
42	305 18 08-13	87	-
43	305 18 09-91	88	-
44	*305 20 13-10*	89	305 18 09-67
45	305 18 09-81	90	-

Wire = ○
 Combined wires = ◇
 Con. with insulation = — xo
 Valid only for 230V = — — — —
 exclude 21,22 and 62 400V 305 29 89-02
 exclude 31 and 63 230V 305 29 89-01
 Not V Detail no

GENERAL TOLERANCES	THEORETICAL FLAT AREA	DEVELOPED FLAT AREA	LENGTHS AND DIAMETERS
A2			

MATERIAL	MODEL	SCALE	EUROPEAN METHOD
TREATMENT	DESIGN USERS	REPLACES No	
WEIGHT	DERIVED FROM No	SUPPLY SPECIFICATIONS No	
DESIGN OWNER DRN	CHD	DATE	TITLE
MO	S. Ahl	01-02-12	Wiring diagram
			NUMBER
			305 29 89 sh2
			REV B