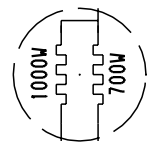
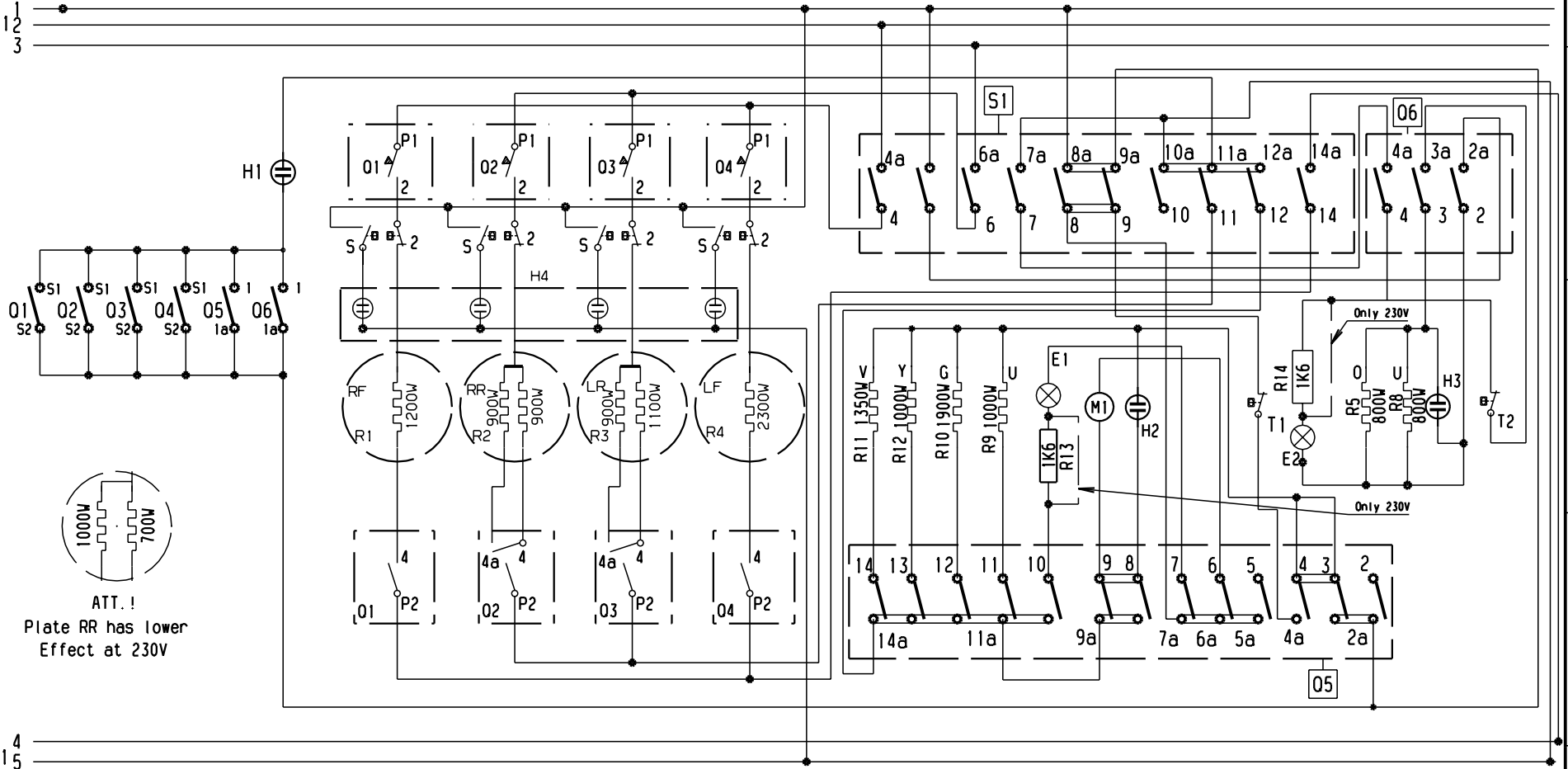
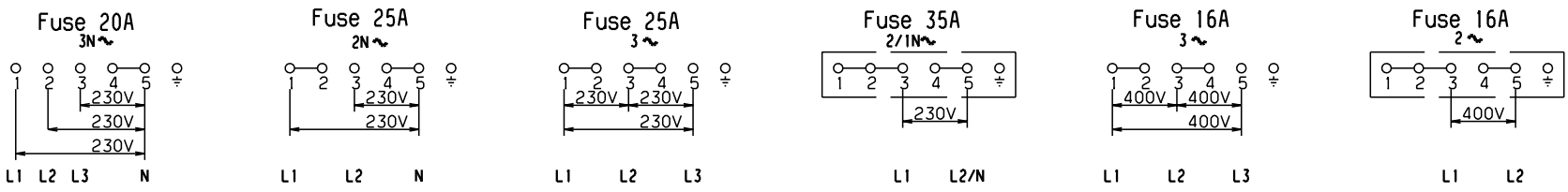


This drawing contains confidential information and is the property of Electrolux. It may not be copied, shown or handed to a third party or otherwise used and it is to be returned promptly upon request to the person who issued it. The person who is responsible for the drawing.

[2] Critical dimensions which must be under capability  
 SAFETY REQUIREMENT  
 Visible surfaces.  
 Draft angles (not shown).

GENERAL TOLERANCES  
 ANGLES  
 LENGTHS AND DIAMETERS  
 THEORETICAL FLAT AREA  
 DEVELOPED FLAT AREA



Att. Resistors R13 and R14 excluded at 230V.

1	2	3	4	5	6	7	8
---	---	---	---	---	---	---	---

MATERIAL	-	DESIGN OWNER	DRN	MO	S. Ahi	DATE	99 05 07
TREATMENT	-	WEIGHT	-	APPR	-	DATE	99 05 07
				TITLE Principel diagram			
NUMBER 305 29 59 sh3				REV -			

MODEL	-	SCALE	-	EUROPEAN METHOD	
DESIGN USERS	-	REPLACES NO	-	DERIVED FROM NO	-
MO	-	SUPPLY SPECIFICATIONS NO	-	-	