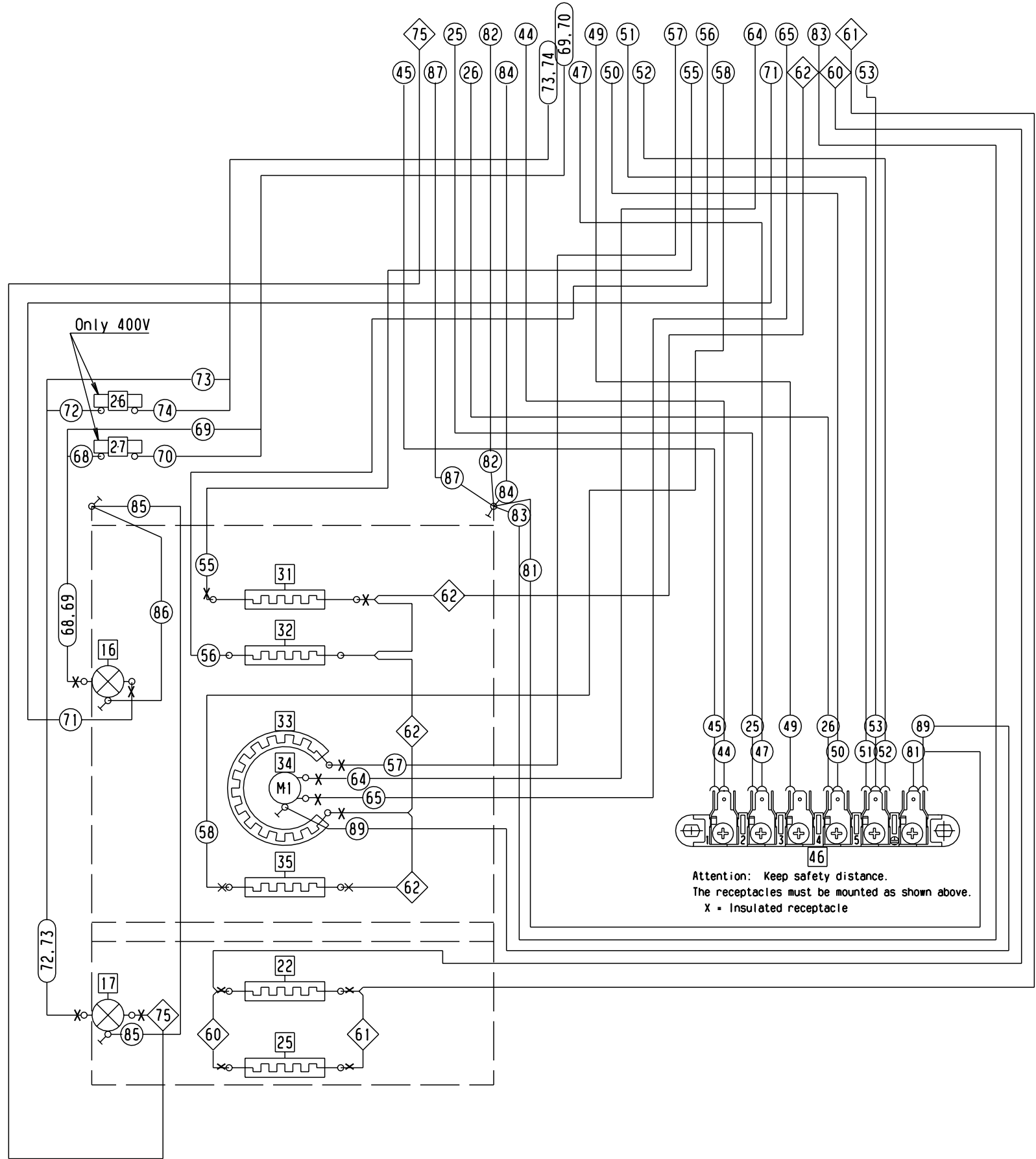


This drawing contains confidential information and is the property of Electrolux. It may not be copied, shown or handed to a third party or otherwise used, and it is to be returned promptly upon request to the person from whom it was obtained. The person responsible for the drawing.

[2] Critical dimensions which must be under capability
 SAFETY REQUIREMENT
 Visible surfaces.
 Draft angles (not shown):



Attention: Keep safety distance.
 The receptacles must be mounted as shown above.
 X = Insulated receptacle

Note:
 Wires between *asterisks* in table are included in terminal block 305 02 46-97 and -98.
 Valid for pos. 44, 47, 49, 50, 51, 52 and 81.
 Wires between (bracket) in table are included in hob assembled 305 00-92-XX and 305 00 93-XX.

Pos	Wire no	Pos	Wire no
1	305 18 09-13	46	-
2	305 18 09-13	47	*305 18 05-28*
3	-	48	-
4	-	49	*305 18 05-39*
5	305 18 09-59	50	*305 18 05-38*
6	305 18 09-35	51	*305 18 05-31*
7	305 18 09-50	52	*305 18 05-31*
8	-	53	*305 18 05-31*
9	305 18 09-59	54	-
10	305 18 09-06	55	305 18 06-20
11	305 18 09-50	56	305 18 05-53
12	-	57	305 18 06-04
13	305 18 09-48	58	305 18 06-01
14	305 18 09-48	59	-
15	305 18 03-14	60	305 18 39-04
16	305 18 05-29	61	305 18 39-03
17	305 18 24-02	62	305 20 09-02
18	305 18 05-05	63	-
19	305 18 09-24	64	305 18 06-08
20	305 18 03-14	65	305 18 06-08
21	305 18 03-01	66	-
22	305 18 03-04	67	-
23	305 18 24-02	68	305 18 14-07
24	305 18 03-01	69	305 18 06-03
25	(305 18 23-02)	70	305 18 05-01
26	Heat indicator	71	305 18 06-03
27	305 18 09-24	72	305 18 14-09
28	305 18 09-09	73	305 18 27-18
29	-	74	305 18 67-12
30	-	75	305 18 27-17
31	-	76	-
32	305 18 67-09	77	-
33	305 18 03-04	78	-
34	305 18 03-01	79	305 18 05-05
35	305 18 05-05	80	-
36	305 18 05-05	81	*305 18 13-01*
37	305 18 15-03	82	(305 18 13-01)
38	305 18 15-02	83	305 18 13-01
39	305 18 15-02	84	305 18 13-02
40	305 18 15-02	85	305 18 13-02
41	305 18 15-01	86	305 18 13-06
42	305 18 05-05	87	305 18 13-02
43	305 18 03-14	88	-
44	*305 18 05-42*	89	305 18 09-67
45	*305 18 05-42*	90	-

Wires = ○		
Combined wires = ◇		
Con. with insulation = —X○		
Valid for 230V = —		
Excluded pos. 69, 73	400V	305 29 59-02
Excluded pos. 68, 70, 72, 74	230V	305 29 59-01
Note	V	Detail no

MATERIAL	MODEL	SCALE	EUROPEAN METHOD
TREATMENT	DESIGN USERS	REPLACES NO	
WEIGHT	DERIVED FROM NO	SUPPLY SPECIFICATIONS NO	
DESIGN OWNER DRN	MO	DATE	TITLE
MO	S. Ahl	99 05 07	Wiring diagram
			NUMBER
			305 29 59 sh2 ^{REV} C

MO 00000568	MO 9901071AN	MO 9900751AN	MO 990070568
-------------	--------------	--------------	--------------