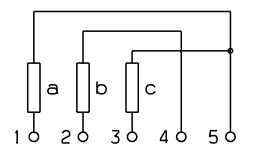
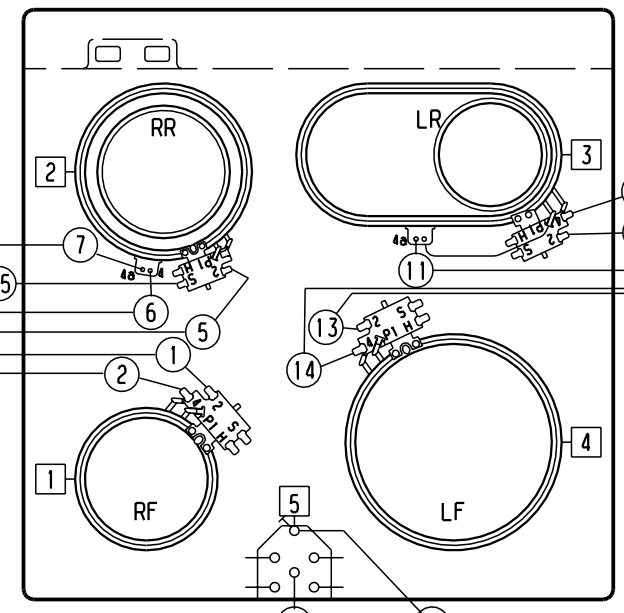
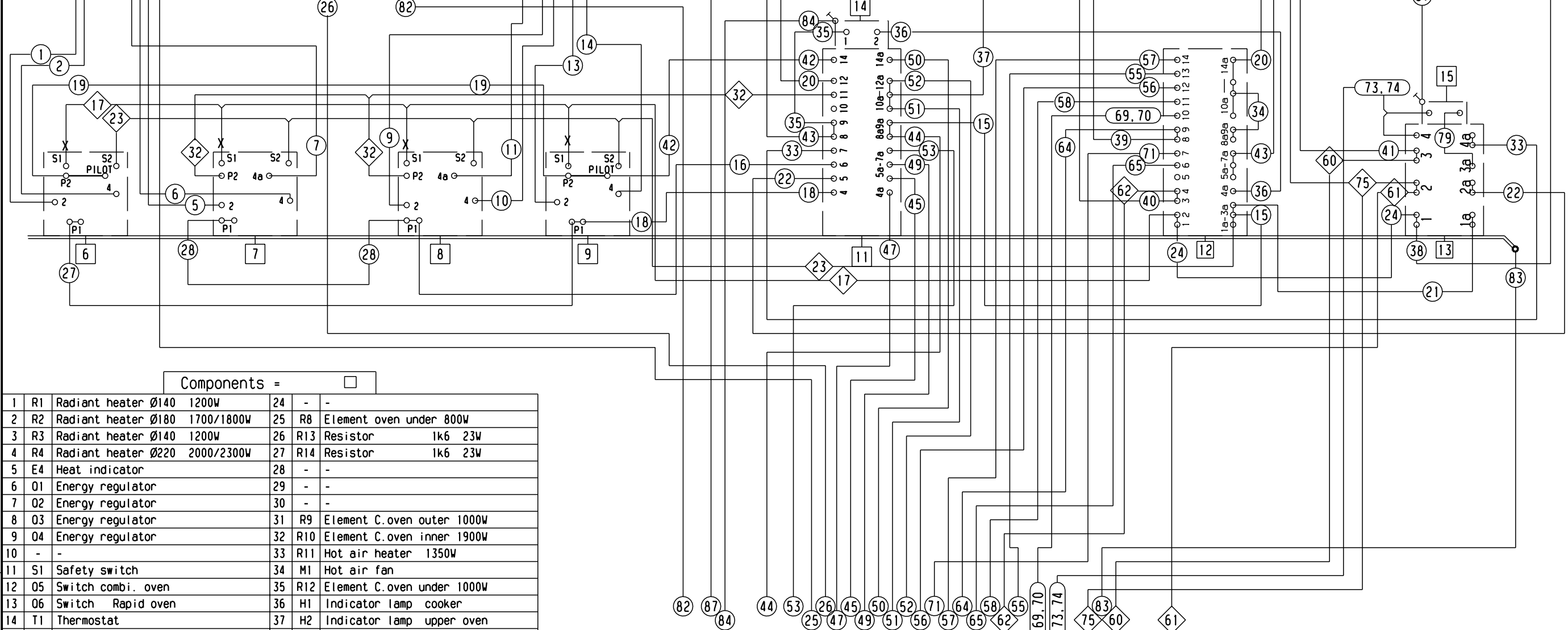


This drawing contains confidential information and is the property of Electrolux. It may not be copied, shown or handed to a third party or otherwise used, and it is to be returned promptly upon request to the person who issued it. The person who issues it is responsible for the drawing.

RR has the effect
700/1700W at 230V



a = Go+Bo+Lamp. = 2925+1625=4550W
 b = RF+LF = 1200+2300 = 3500W
 c = RR+LR = 1800+2000 = 3800W
 c = RR+LR = 1700+2000 = 3700W



Components =

1	R1	Radiant heater Ø140	1200W	24	-	-
2	R2	Radiant heater Ø180	1700/1800W	25	R8	Element oven under 800W
3	R3	Radiant heater Ø140	1200W	26	R13	Resistor 1k6 23W
4	R4	Radiant heater Ø220	2000/2300W	27	R14	Resistor 1k6 23W
5	E4	Heat indicator		28	-	-
6	O1	Energy regulator		29	-	-
7	O2	Energy regulator		30	-	-
8	O3	Energy regulator		31	R9	Element C. oven outer 1000W
9	O4	Energy regulator		32	R10	Element C. oven inner 1900W
10	-	-		33	R11	Hot air heater 1350W
11	S1	Safety switch		34	M1	Hot air fan
12	O5	Switch combi. oven		35	R12	Element C. oven under 1000W
13	O6	Switch Rapid oven		36	H1	Indicator lamp cooker
14	T1	Thermostat		37	H2	Indicator lamp upper oven
15	T2	Thermostat		38	H3	Indicator lamp under oven
16	E1	Oven light 25W		39	-	-
17	E2	Oven light 25W		40	-	-
18	-	-		41	-	-
19	-	-		42	-	-
20	-	-		43	-	-
21	-	-		44	-	-
22	R5	Element oven upper 800W		45	-	-
23	-	-		46	X1	Terminal block

[2] Critical dimensions which must be under capability
 SAFETY REQUIREMENT
 Visible surfaces.
 Draft angles (not shown):

MATERIAL	MODEL	SCALE	EUROPEAN METHOD
TREATMENT	DESIGN USERS	REPLACES	
DESIGN OWNER DRN	MO	DERIVED FROM	
MO	S. Ahl	SUPPLY SPECIFICATIONS	
CHD	DATE	TITLE	Wiring diagram
APPR	99 05 07	NUMBER	305 29 59 shi
Electrolux		REV	A