

This drawing contains confidential information and is the property of Electrolux. Without the permission of Electrolux, it may not be copied, shown or handed to a third party or otherwise used, and it is to be returned promptly upon request to the person who issued it, which is responsible for the drawing.

[2] Critical dimensions which must be under capability control are indicated by a triangle symbol.

SAFETY REQUIREMENT

Visible surfaces.

Draft angles (not shown):

THEORETICAL FLAT AREA

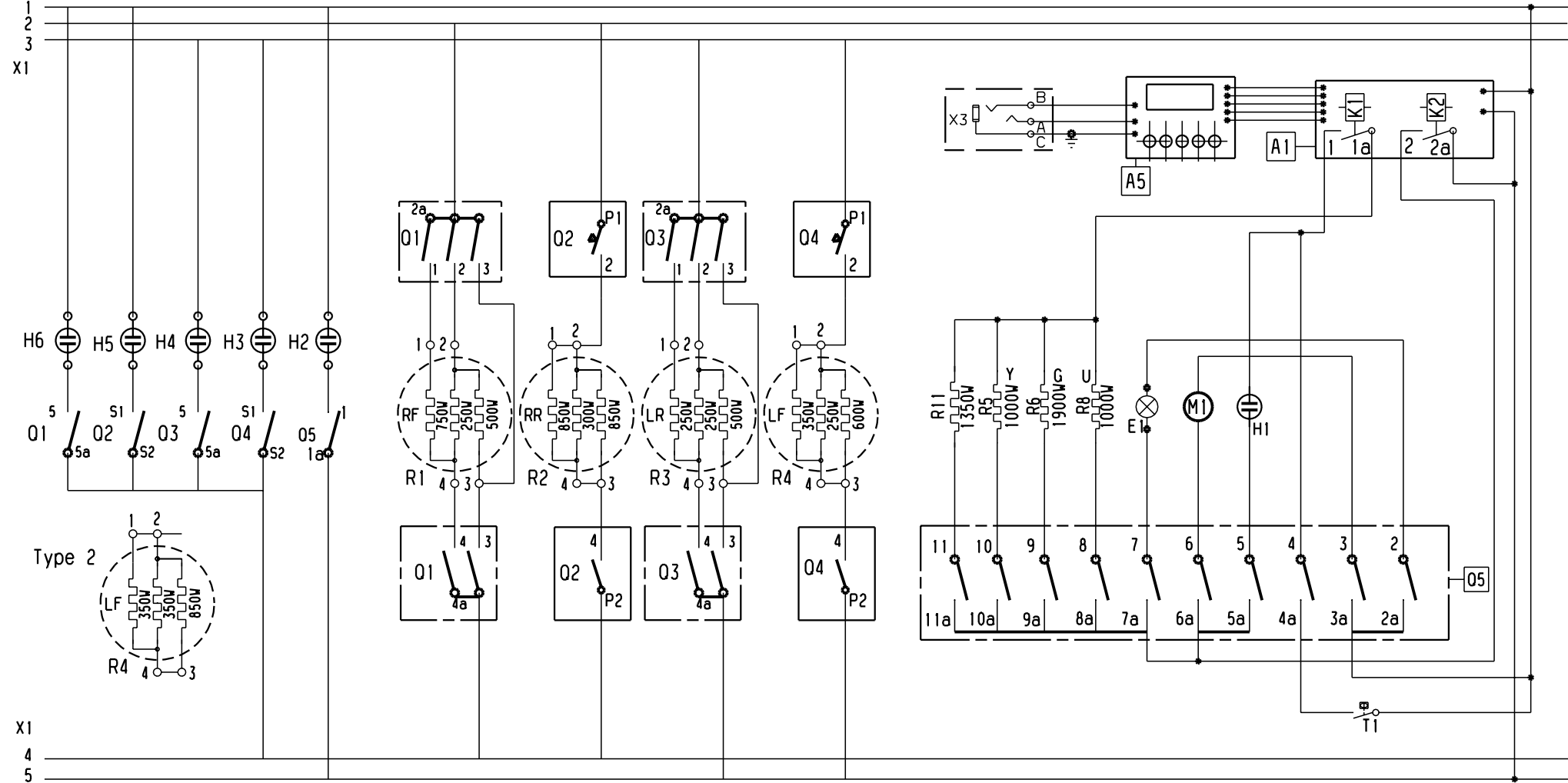
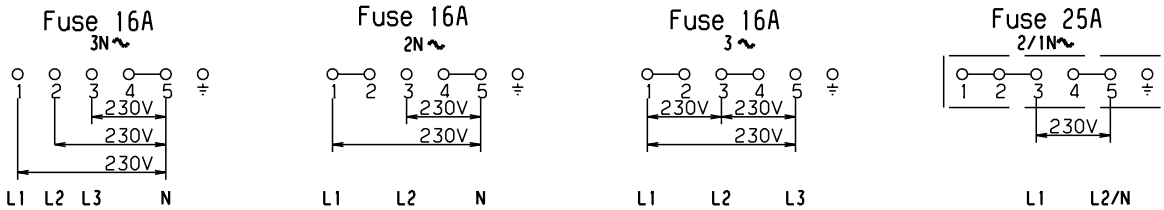
DEVELOPED FLAT AREA

GENERAL TOLERANCES

ANGLES

LENGTHS AND DIAMETERS

Alternate connection



1	2	3	4	5	6	7	8
1	2	3	4	5	6	7	8

MATERIAL		MODEL		SCALE		EUROPEAN METHOD	
TREATMENT		DESIGN USERS		REPLACES No		METHOD	
WEIGHT		MO		DERIVED FROM No		A	
DESIGN OWNER DRN		DATE		SUPPLY SPECIFICATIONS No			
MO		00-03-09		TITLE		Principal diagram	
S. Ahl		APPR		NUMBER		305 29 47 sh3	
REV		REV		REV		REV	

