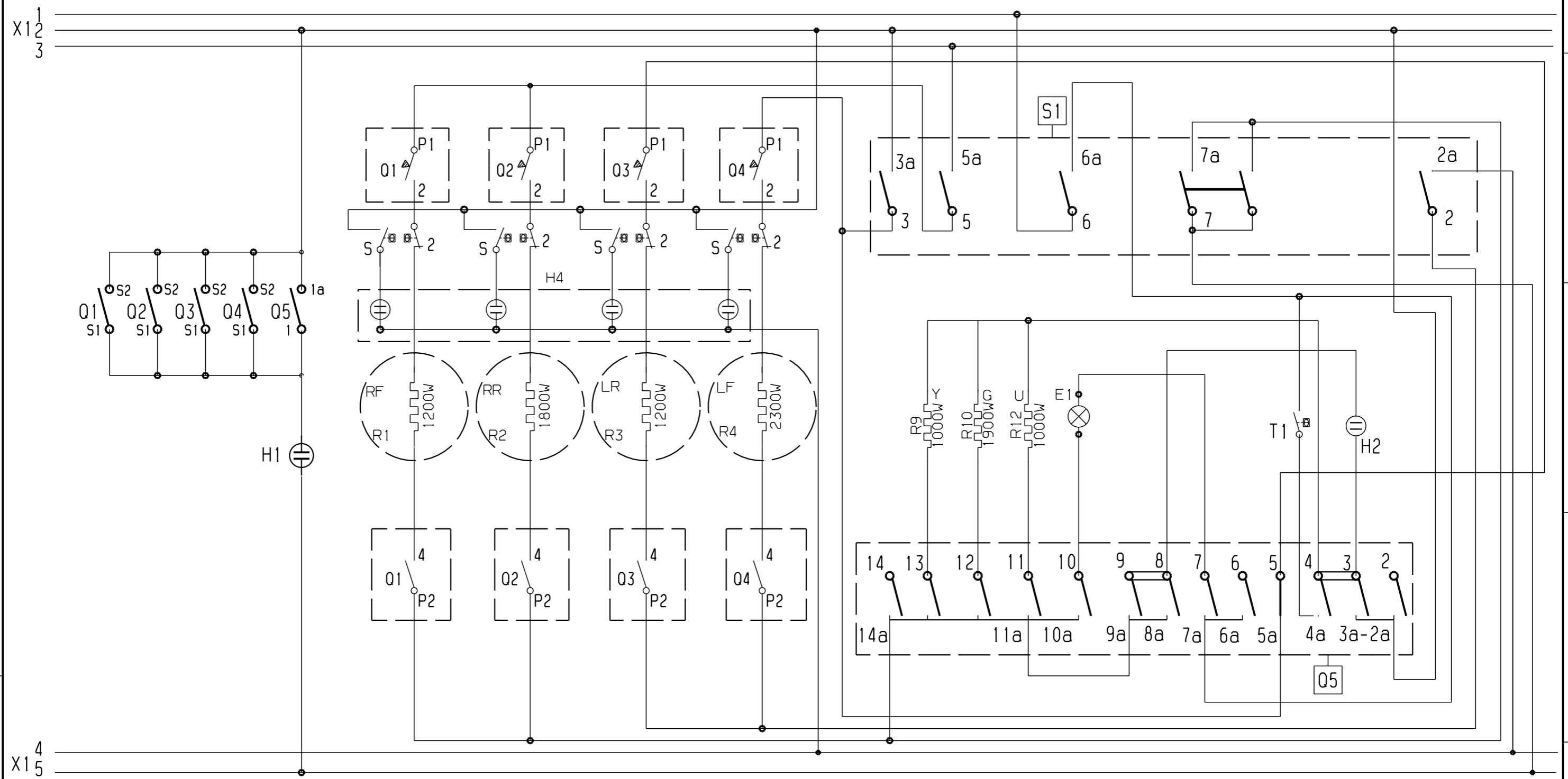
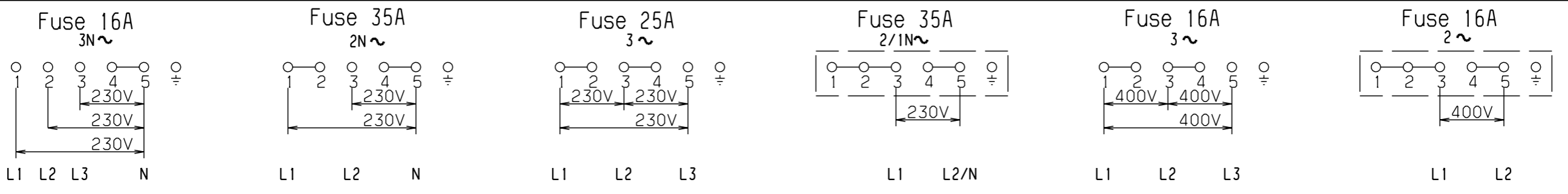


This drawing contains confidential information and is the property of Electrolux. Without whose permission it may not be copied, shown or handed to a third party or otherwise used, and it is to be returned promptly upon request to the person from whom it was obtained. This is the responsibility of the drawing.

[2] Critical dimensions which must be under capability
 SAFETY REQUIREMENT
 Visible surfaces.
 Draft angles (not shown):

THEORETICAL FLAT AREA
 DEVELOPED FLAT AREA
 GENERAL TOLERANCES
 ANGLES
 LENGTHS AND DIAMETERS
A3



| | | | |
|----|--------|------|----------|
| MO | S. Ahl | CHD | DATE |
| MO | S. Ahl | APPR | 99 02 05 |

| | | | |
|--------------|--------------|---------------|-----------------|
| MATERIAL | MODEL | SCALE | EUROPEAN METHOD |
| TREATMENT | DESIGN USERS | REPLACES No | DERIVED FROM No |
| DESIGN OWNER | DRN | CHD | DATE |
| MO | S. Ahl | APPR | 99 02 05 |
| TITLE | | Principel | |
| NUMBER | | 305 29 30 sh3 | |
| REV | | - | |

