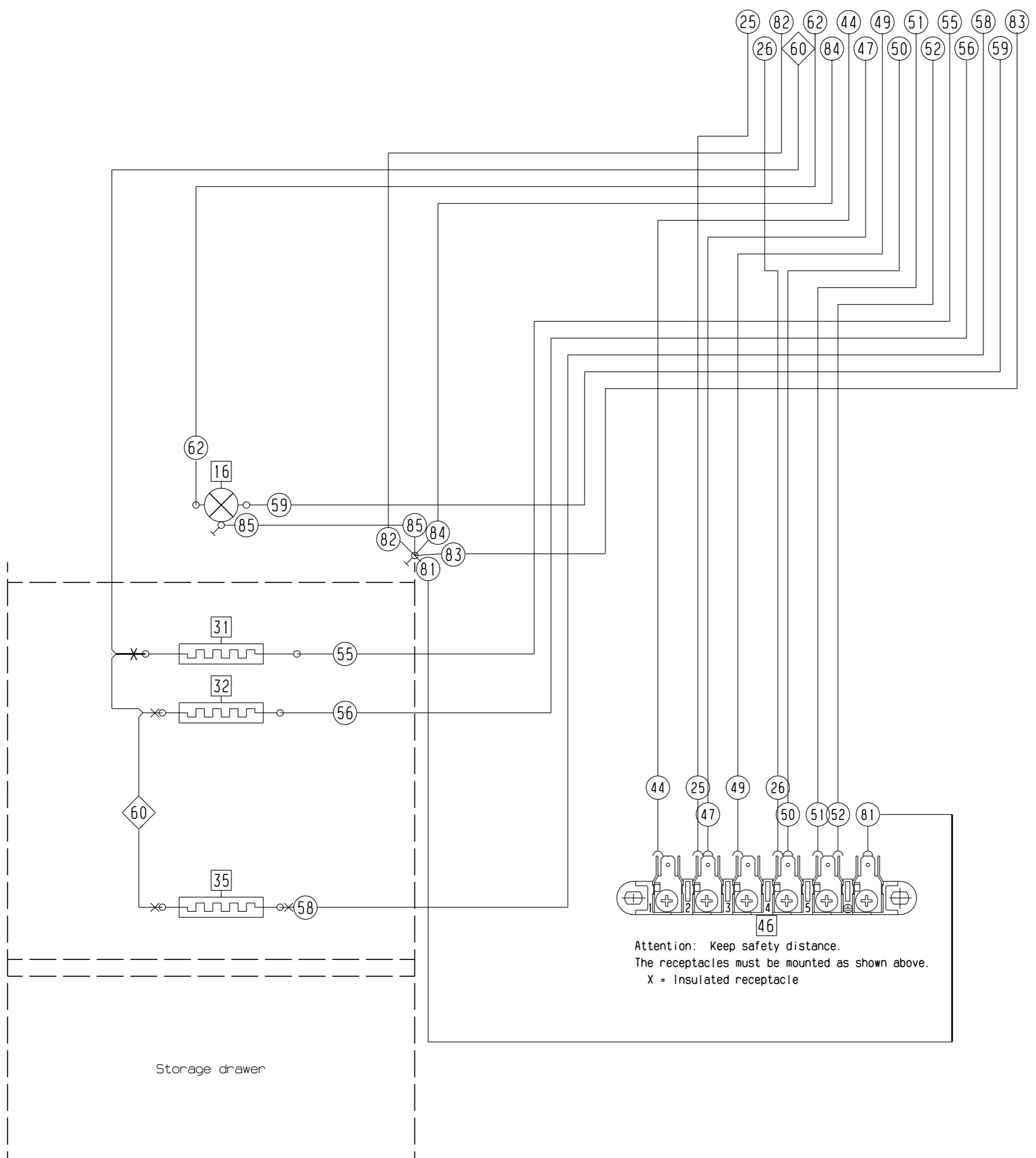


This drawing contains confidential information and is the property of Electrolux. It may not be copied, shown or handed to a third party or otherwise used, and it is to be returned promptly upon request to the person who issued it. The person who is responsible for the drawing is the person who has signed it.

[2] Critical dimensions which must be under capability  
 SAFETY REQUIREMENT  
 Visible surfaces.  
 Draft angles (not shown):



Attention: Keep safety distance.  
 The receptacles must be mounted as shown above.  
 X = Insulated receptacle

Not.  
 Wires between \*asterisks\* in table are included in terminalblock 305 02 46-48,-49 and -50.  
 Valid for pos. 44,47,49,50,51,52 and 81.  
 Wires between (bracket) in table are included in hob assembled 305 04 30-XX t.o.m 305 04 31-XX.

Pos	Wire no	Pos	Wire no
1	305 18 09-06	46	305 18 05-29
2	305 18 09-06	47	*305 18 05-03*
3	-----	48	305 18 05-05
4	-----	49	*305 18 05-33*
5	305 18 09-06	50	*305 18 05-34*
6	305 18 09-06	51	*305 18 05-35*
7	-----	52	*305 18 05-35*
8	-----	53	305 18 05-29
9	305 18 09-06	54	305 18 03-14
10	305 18 09-06	55	305 18 05-01
11	-----	56	305 18 05-21
12	-----	57	-----
13	305 18 09-06	58	305 18 06-03
14	305 18 09-06	59	305 18 05-04
15	-----	60	305 20 07-02
16	-----	61	-----
17	305 18 24-02	62	305 18 05-04
18	-----	63	-----
19	-----	64	-----
20	-----	65	-----
21	-----	66	-----
22	-----	67	-----
23	305 18 24-02	68	-----
24	-----	69	-----
25	(305 18 23-02)	70	-----
26	Heat indicator	71	-----
27	-----	72	-----
28	305 18 03-14	73	-----
29	305 18 09-09	74	-----
30	305 18 09-09	75	-----
31	-----	76	-----
32	305 18 09-09	77	-----
33	-----	78	-----
34	305 18 03-01	79	-----
35	305 18 05-05	80	-----
36	305 18 05-05	81	*305 18 13-01*
37	305 18 05-29	82	(305 18 13-01)
38	305 18 05-29	83	305 18 13-01
39	305 18 15-03	84	305 18 13-02
40	305 18 15-02	85	305 18 13-06
41	305 18 15-02	86	-----
42	305 18 15-02	87	-----
43	305 18 03-14	88	-----
44	*305 18 05-14*	89	-----
45	305 18 05-05	90	-----

Wires = ○  
 Combined wires = ◇  
 Connection with insul. = —X—  
 Valid for only 230V = — — — —  
 Not. V Detail no

MO	00000589	MO	99001589
----	----------	----	----------

MATERIAL	MODEL	SCALE	EUROPEAN METHOD
TREATMENT	DESIGN OWNERS	REPLACES No	
DESIGN OWNER DRN	MO	DERIVED FROM No	
MO	S. Ahl	DATE	SUPPLY SPECIFICATIONS No
CHD	APPR	99 02 05	
TITLE Wiring diagram			
NUMBER 305 29 30 sh2 REV A			

