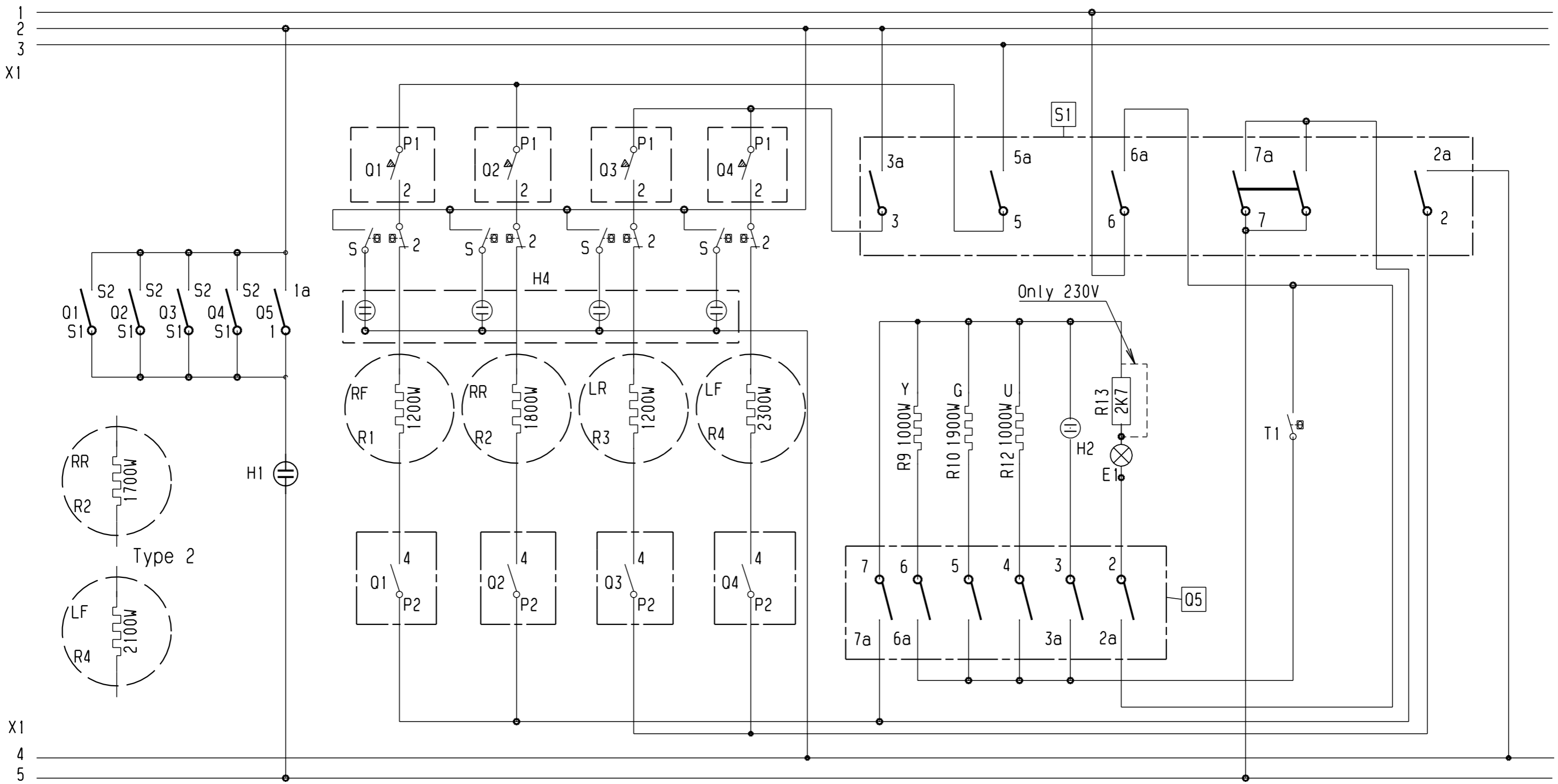
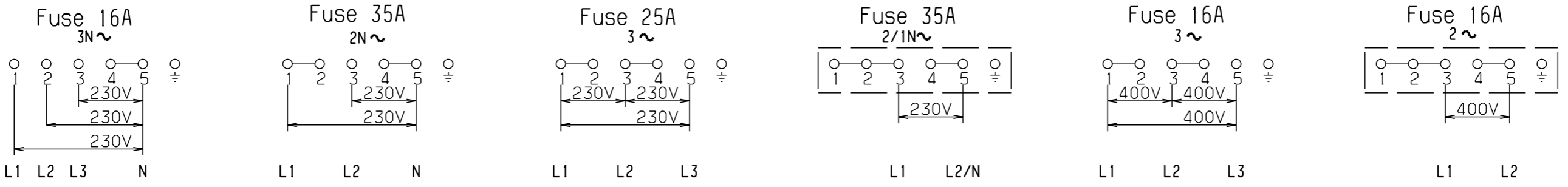


This drawing contains confidential information and is the property of without whose permission it may not be copied, shown or handed to a third party or otherwise used, and it is to be returned promptly upon request to the which is responsible for the drawing.

[2] Critical dimensions which must be under capability SAFETY REQUIREMENT
 --- Visible surfaces.
 --- Draft angles (not shown):

THEORETICAL FLAT AREA
 DEVELOPED FLAT AREA
 GENERAL TOLERANCES
 ANGLES
 LENGTHS AND DIAMETERS



MATERIAL		MODEL		SCALE		EUROPEAN METHOD	
TREATMENT		DESIGN USERS		REPLACES No			
DESIGN OWNER		MO		DERIVED FROM No		SUPPLY SPECIFICATIONS No	
DRN S. Ahl		DATE 99 02 05		TITLE Principel diagram			
CHD		APPR		NUMBER 305 29 26 sh3 ^{REV}			
MO 990015		99 02 05		-			
Electrolux							