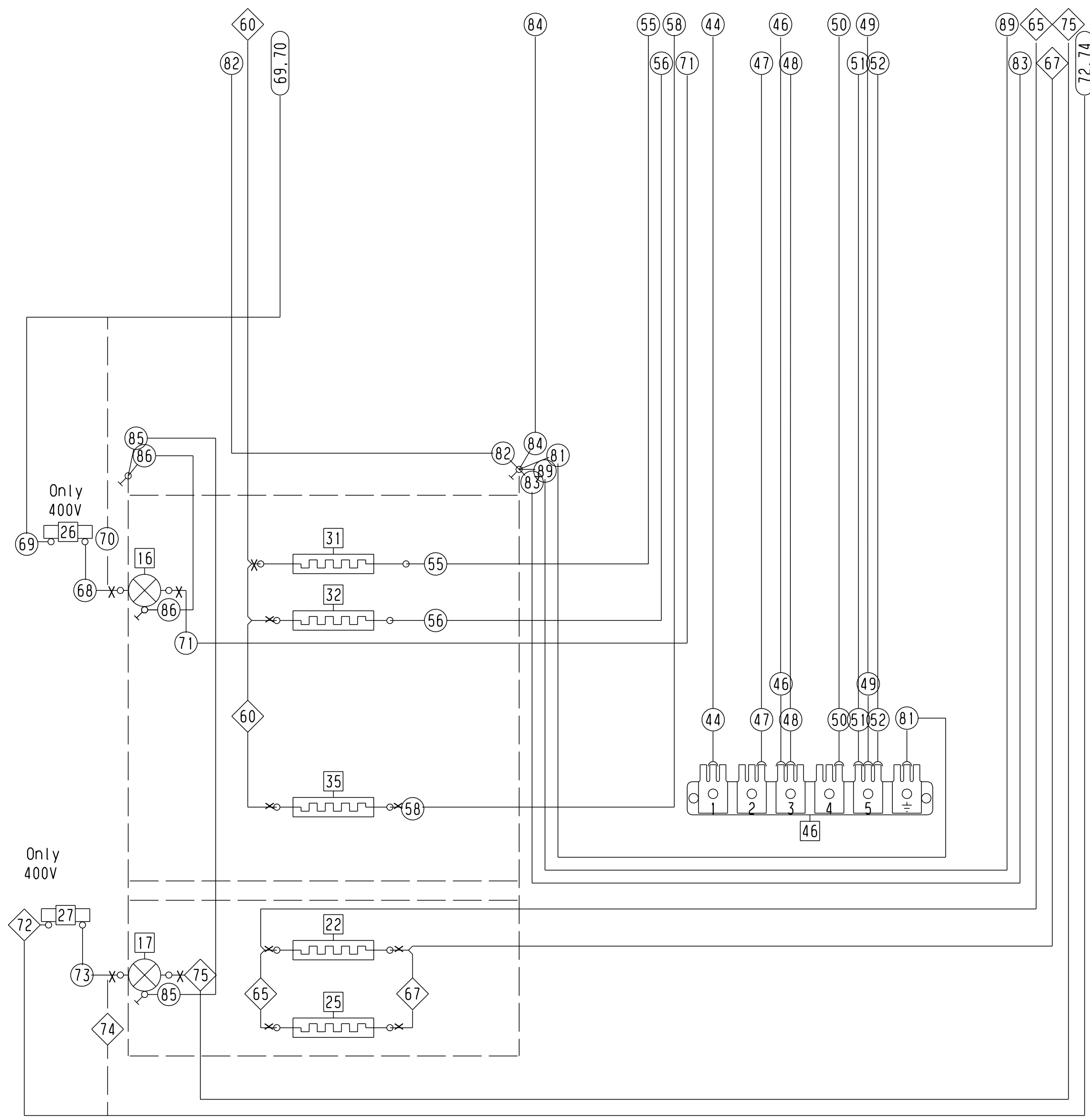


This drawing contains confidential information and is the property of Electrolux. It may not be copied, shown or made public in any way without the prior written consent of Electrolux. It is to be returned promptly upon request to the person who issued it, which is responsible for the drawing.

[2] Critical dimensions which must be under capability
 SAFETY REQUIREMENT
 Visible surfaces.
 Draft angles (not shown):

THEORETICAL FLAT AREA
 GENERAL TOLERANCES
 ANGLES
 LENGTHS AND DIAMETERS DEVELOPED FLAT AREA



Wires between *asterisks* in table are included in terminal block cpl. 3050246-57 and -58.
 Valid for pos. 44, 46, 47, 48, 49, 50, 51, 52 och 81
 Wires between (bracket) in table are included in hob cpl. 3050161-XX and 3050162-XX.

Pos	Wire no	Pos	Wire no
1	305 18 71-25	46	*305 18 05-33*
2	305 18 71-26	47	*305 18 05-03*
3	305 18 71-27	48	*305 18 05-33*
4	305 18 71-28	49	*305 18 05-35*
5	305 18 71-25	50	*305 18 05-34*
6	305 18 71-26	51	*305 18 05-35*
7	305 18 71-27	52	*305 18 05-35*
8	305 18 71-28	53	
9	305 20 01-01	54	
10	305 20 01-02	55	305 18 05-01
11	305 20 01-03	56	305 18 05-21
12	305 20 01-04	57	
13	305 18 71-04	58	305 18 06-03
14	305 18 71-04	59	-
15	305 18 05-44	60	305 20 07-02
16	305 18 05-44	61	
17	305 18 03-01	62	-
18	305 18 03-01	63	-
19	305 18 03-01	64	-
20	305 18 03-15	65	305 18 39-04
21	305 18 03-01	66	-
22	305 18 03-15	67	305 18 39-03
23	305 18 03-01	68	305 18 14-07
24	305 18 03-01	69	305 18 05-16
25	305 18 03-01	70	305 18 06-09
26	305 18 03-13	71	305 18 06-03
27	305 18 03-01	72	305 18 67-01
28	305 18 03-04	73	305 18 14-09
29	305 18 03-01	74	305 18 38-06
30	305 18 03-01	75	305 18 38-01
31	305 18 03-01	76	305 18 03-04
32	305 18 03-01	77	305 18 03-04
33	305 18 03-16	78	-
34	305 18 03-16	79	305 18 03-14
35	305 18 05-05	80	305 18 03-14
36	305 18 05-05	81	*305 18 13-01*
37	305 18 03-13	82	(300 15 61-01)
38	305 18 05-05	83	305 18 13-01
39	305 18 15-03	84	305 18 13-02
40	305 18 15-02	85	305 18 13-02
41	305 18 15-02	86	305 18 13-06
42	305 18 15-02	87	
43	305 18 15-02	88	
44	*305 18 05-14*	89	305 18 13-01
45		90	

Wires = ○
 Combined wires = ◇
 Con. with insulating = ×○
 Valid only for 230V = - - - - -

Excluded pos. 70, 74	400V	305 29 24-02
Excluded pos. 68, 69, 72, 73	230V	305 29 24-01

MATERIAL	MODEL	SCALE	EUROPEAN METHOD
TREATMENT	DESIGN USERS	REPLACES	
DESIGN OWNER DRN	MO	DERIVED FROM	
MO 9900515g	S. Ahl	SUPPLY SPECIFICATIONS	
MO 9900106g	APPR	NO	
	DATE		
	99 01 28		
TITLE		Wiring diagram	
NUMBER		305 29 24 sh2 ^{REV} A	

Electrolux