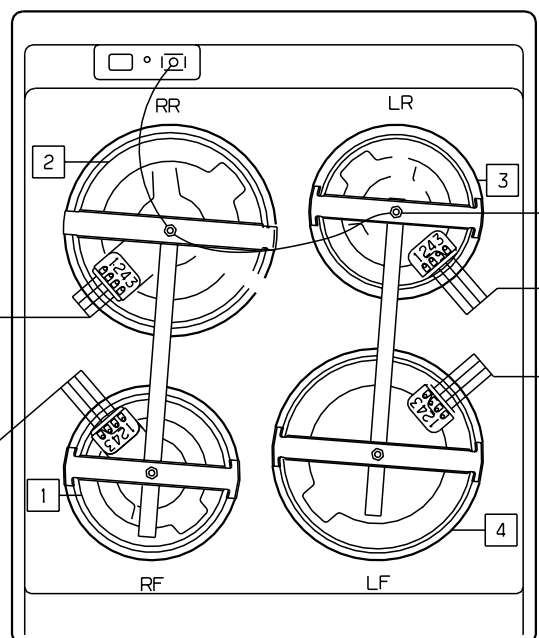


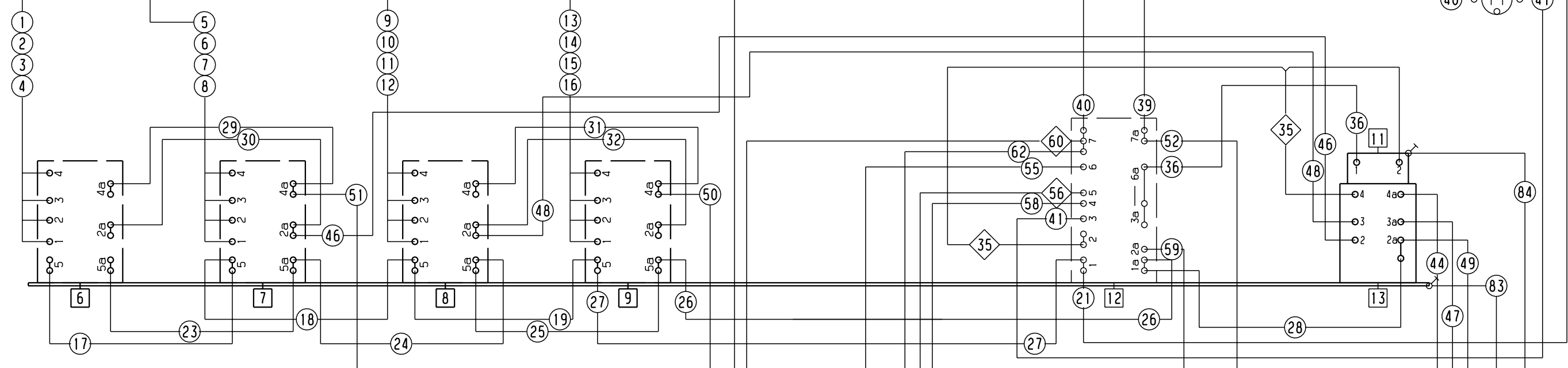
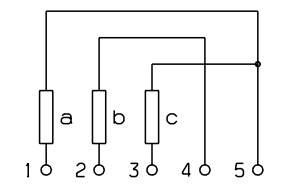
This drawing contains confidential information and is the property of Electrolux. It may not be copied, shown or handed to a third party or otherwise used, and it is to be returned promptly upon request to the person who issued it. The person who issues this drawing is responsible for the drawing.

[2] Critical dimensions which must be under capability
 SAFETY REQUIREMENT
 Visible surfaces.
 Draft angles (not shown):

THEORETICAL FLAT AREA
 DEVELOPED FLAT AREA
 GENERAL TOLERANCES
 ANGLES
 LENGTHS AND DIAMETERS
 ± 0.1/0.2
 A2

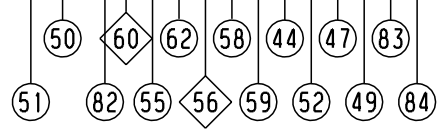


a = Go = 3015W (431)
 b = RF+RR = 1500+2000 = 3500W
 c = LR+LF = 1000+1200 = 2200W



Components =

1	R1	Hot plate	Ø145	1500W	24	-	-
2	R2	Hot plate	Ø180	2000W	25	-	-
3	R3	Hot plate	Ø145	1000W	26	-	-
4	R4	Hot plate	Ø180	1200W	27	-	-
5	-	-	-	-	28	-	-
6	O1	Switch 7-pos.	-	-	29	-	-
7	O2	Switch 7-pos.	-	-	30	-	-
8	O3	Switch 7-pos.	-	-	31	R9	Element oven outer 2000W
9	O4	Switch 7-pos.	-	-	32	R10	Element C.oven inner 2000W
10	-	-	-	-	33	-	-
11	T1	Thermostat	-	-	34	-	-
12	O5	Switch combi. oven	-	-	35	R11	Element C.oven under 1000W
13	-	-	-	-	36	H1	Indicator lamp cooker
14	-	-	-	-	37	H2	Indicator lamp upper oven
15	-	-	-	-	38	-	-
16	E1	Oven light	15W	-	39	-	-
17	-	-	-	-	40	-	-
18	-	-	-	-	41	-	-
19	-	-	-	-	42	-	-
20	-	-	-	-	43	-	-
21	-	-	-	-	44	-	-
22	-	-	-	-	45	-	-
23	-	-	-	-	46	X1	Terminal block



MATERIAL	DESIGN OWNER	DRN	CHO	DATE	MODEL	SCALE	EUROPEAN METHOD
-	MO	S. Ahl	-	99 02 10	-	-	REPLACES No 305 19 87 rev.C
TREATMENT	DESIGN USER	APPR	NO	NO	MO	-	DERIVED FROM
-	-	-	-	-	-	-	SUPPLY SPECIFICATIONS
TITLE				Wiring diagram			
NUMBER				RPLL 51			
305 19 87				sh1			
REV				D			

Electrolux