

This drawing contains confidential information and is the property of AB ELECTROLUX, SWEDEN. It is not to be reproduced, copied, stored in a retrieval system, or handed to third party or otherwise used, and it is to be returned promptly upon request to the person to whom it was issued. The manufacturer is responsible for the drawing.

Notes shown in this drawing that specify selections that are banned according to Directive 2002/96/EC, the RoHS Directive (Lead, Cadmium, Mercury, hexavalent chromium, polybrominated biphenyls and polybrominated diphenyl ether) shall be indicated as "banned" or "restricted" according to the Electrolux Restricted Materials List.

SAFETY REQUIREMENT
 h: Visible surfaces
 h: Dark angles (not shown)

THEORETICAL FLAT AREA
 DEVELOPED FLAT AREA
 GENERAL TOLERANCES
 ANGLES
 LENGTHS AND DIAMETERS

12

11

10

9

8

7

6

5

4

3

2

1

H

G

F

E

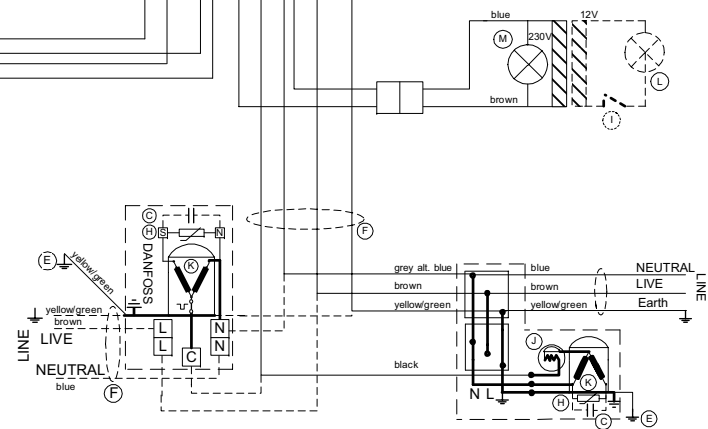
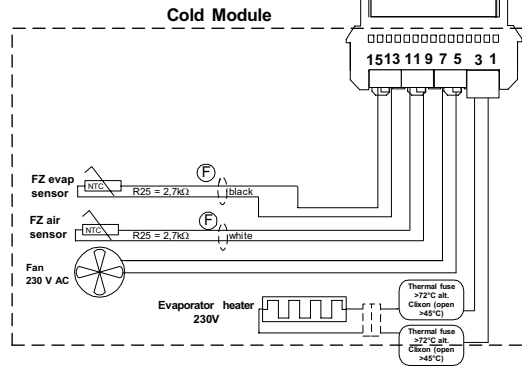
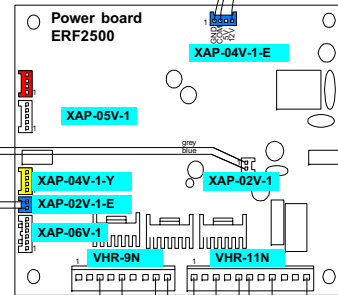
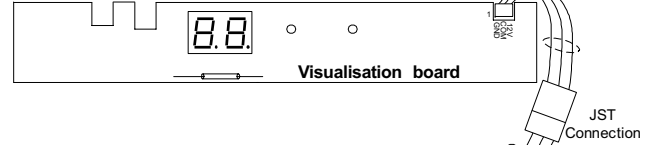
D

C

B

A

MFMP 7238-003-070-960-000-00-G



- ⊗ Compressor
- ⊗ Starting device
- ⊗ Flexible chord
- ⊗ Earth cabinet
- ⊗ Run capacitor
- ⊗ Motor protector
- ⊗ 230 V Lamp
- ⊗ 12 V Lamp

208 72 66-00
 Variant No.

| | | | | | | | | | |
|-------------|--------------|-----|-----|----------|-------|--------------------------------------|-----------------------|-----------------|--|
| MATERIAL | DESIGN OWNER | DRN | CHD | DATE | SCALE | MODEL | REPLACES | EUROPEAN METHOD | |
| TREATMENT | ABF | CF | | 07-08-28 | | ABF | No | ⊗ | |
| DESIGN USER | | | | | | | DERIVED FROM | | |
| | | | | | | | No | | |
| | | | | | | | SUPPLY SPECIFICATIONS | | |
| | | | | | | | No | | |
| TM 07694 | | | | | | TITL#Kopplingschema AEG Sbs No Frost | | | |
| Electrolux | | | | | | Wiring Diagram AEG Sbs No Frost | | | |
| | | | | | | NUMBER | | REV | |
| | | | | | | 208 72 66 | | A | |

12

11

10

9

8

7

6

5

4

3

2

1