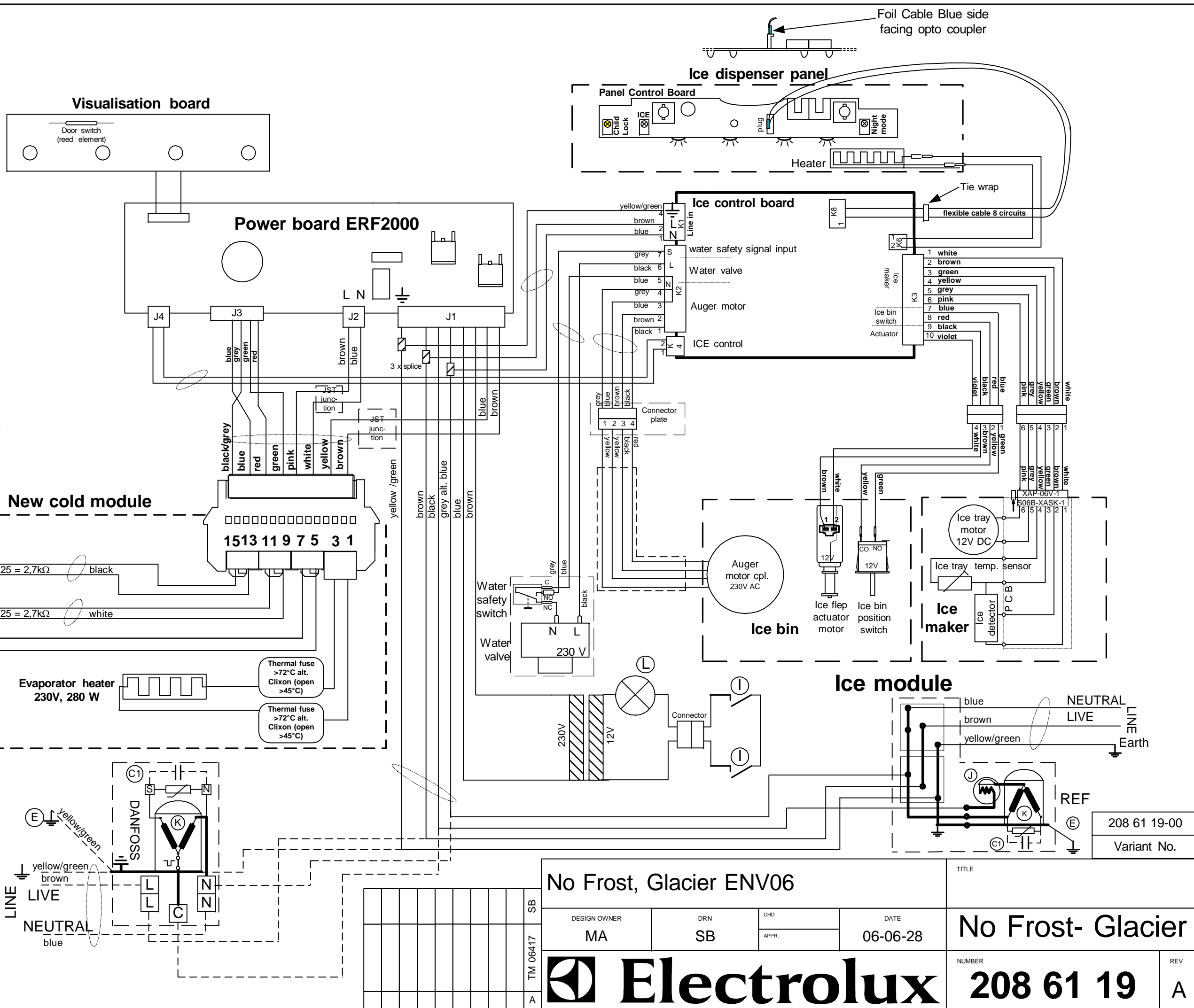


- (M) 230V lamp
- (K) Compressor
- (H) Starting device
- (L) Lamp switch
- (F) Flexible cord
- (E) Earth cabinet
- (C1) Run capacitor

○ = Sheated cable



No Frost, Glacier ENV06				TITLE	
DESIGN OWNER	DRN	CHD	DATE	No Frost- Glacier	
MA	SB	APPR.	06-06-28		
Electrolux				NUMBER	REV
208 61 19				208 61 19	A