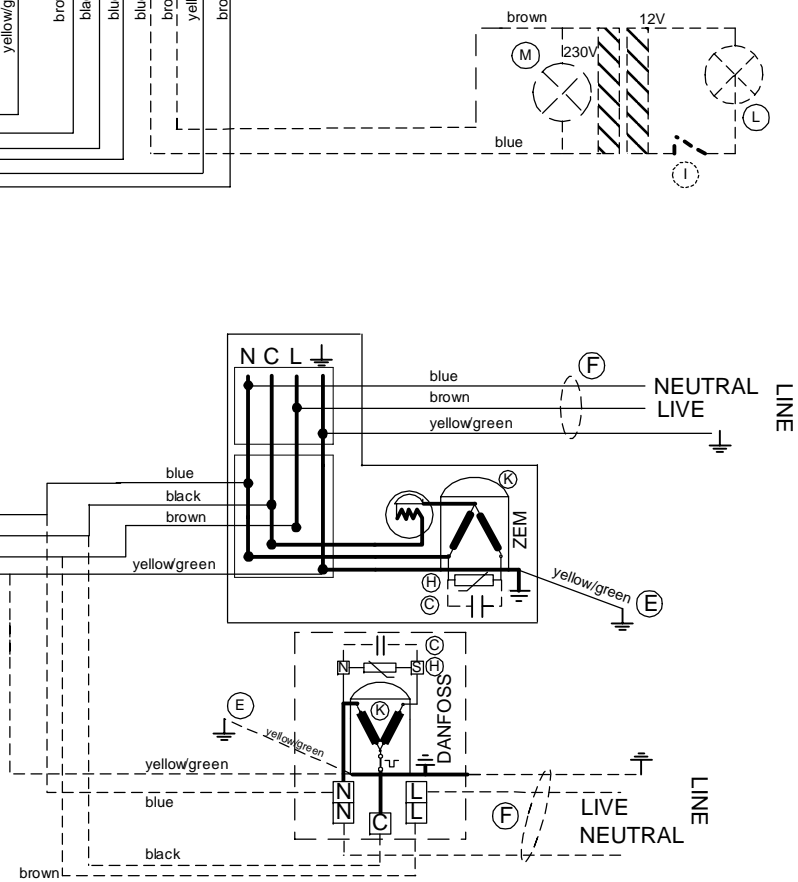
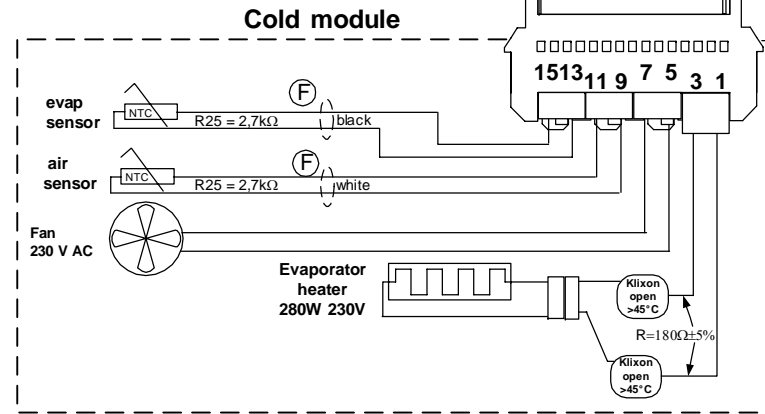
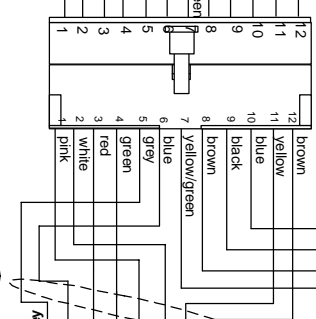
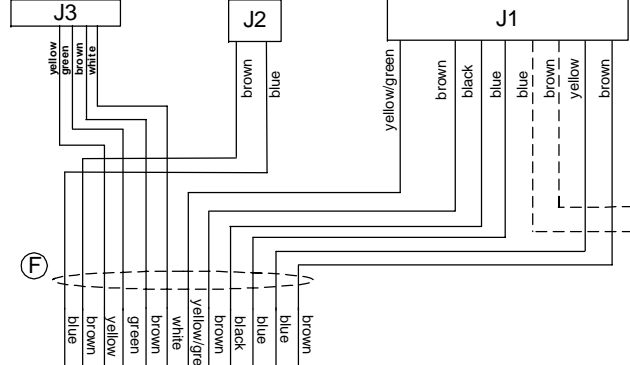
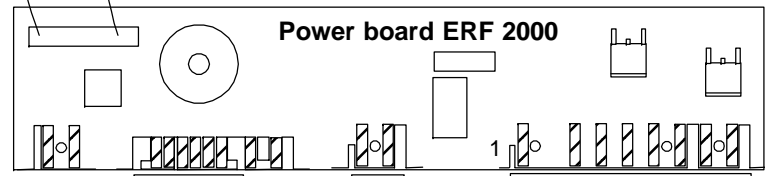


Visualisation board

door switch
(reed element)

Power board ERF 2000



- (M) 230V lamp
- (K) Compressor
- (H) Starting device
- (L) Halogen lamp
- (F) Flexible cord
- (E) Earth cabinet
- (L) Alt. flap switch
- (C) Run capacitor

208 50 64-00
Variant No.

DESIGN OWNER		DRN		CHD		DATE	
MA		SB		APPR.		050503	

TITLE	
Wiring diagram	
Kopplingschema	

	Electrolux	208 50 64	NUMBER	REV
			A	A