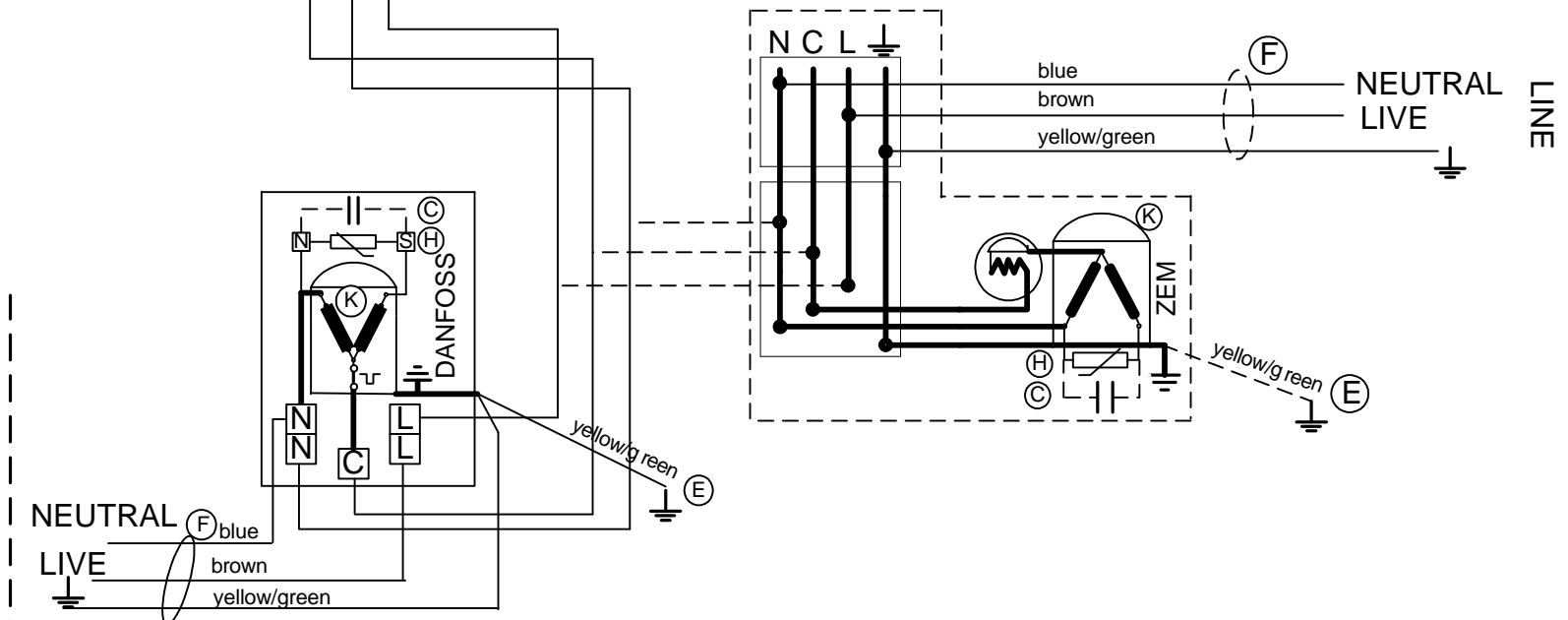
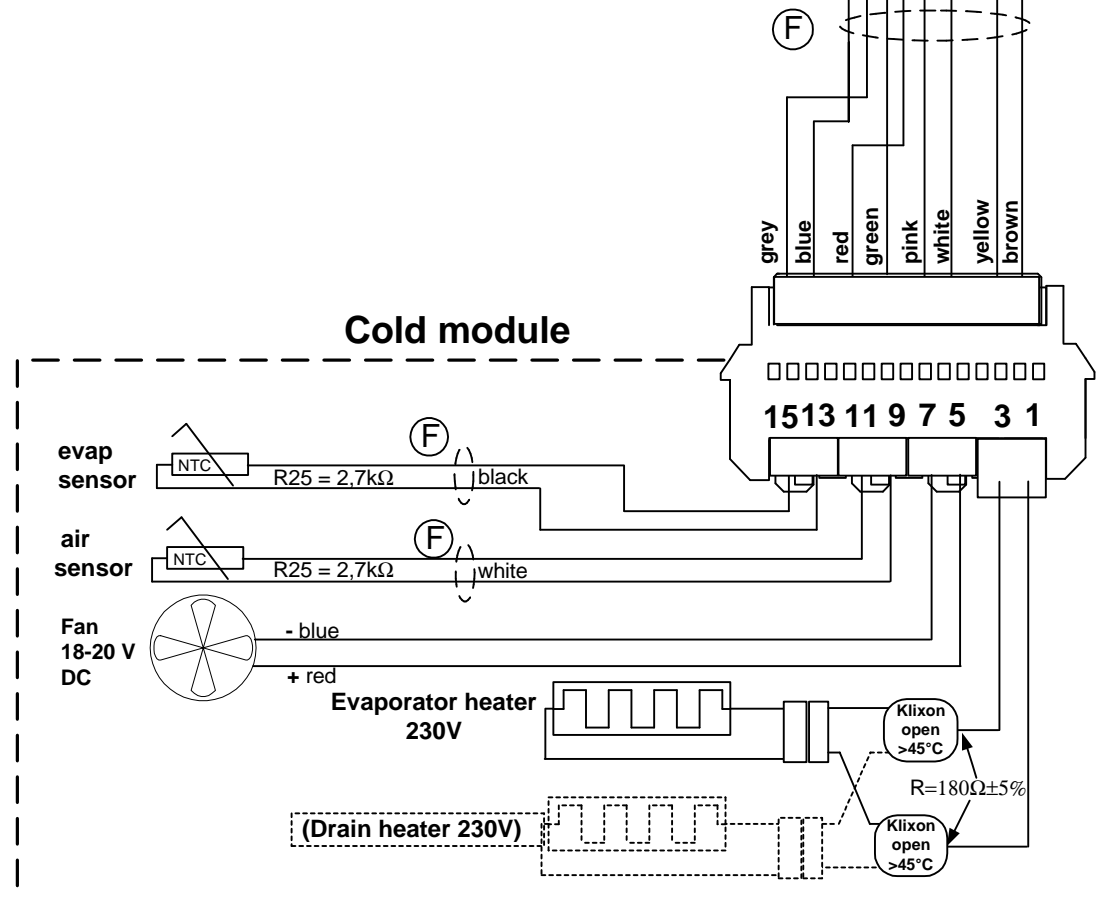


- (E) EARTH CABINET
- (F) FLEXIBLE CORD
- (K) COMPRESSOR
- (J) Motor protector
- (H) Starting device
- (C) Run capacitor



208 44 86-00
Variant No.

				TITLE		Wiring diagram	
				Kopplingschema			
DESIGN OWNER	DRN	CHD	DATE	NUMBER			
ABF	SB	APPR.	04-11-11	208 44 86			
TM 04694	SB			REV			
TM 04220	SB			B			
B	A	Electrolux		208 44 86		B	